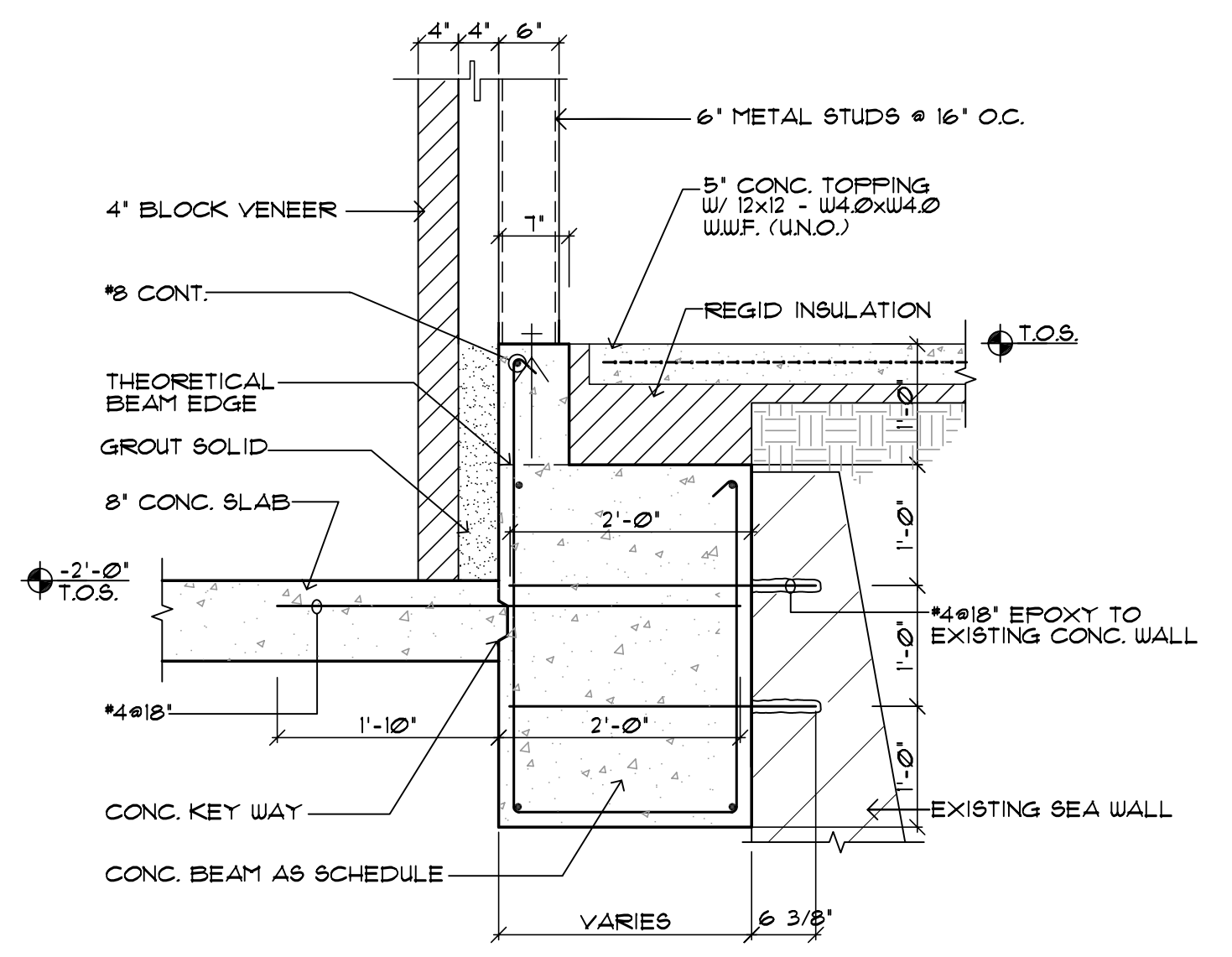
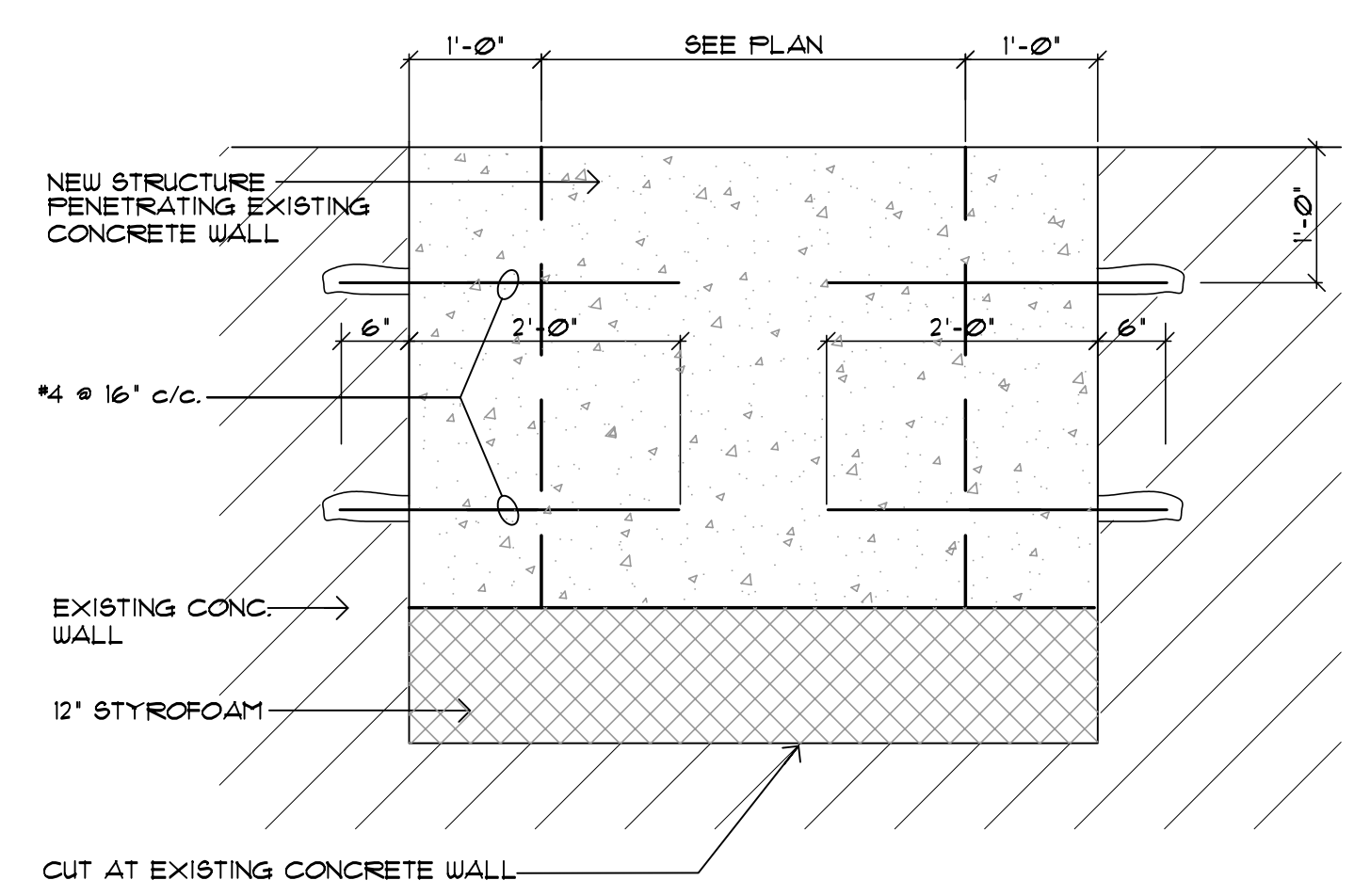
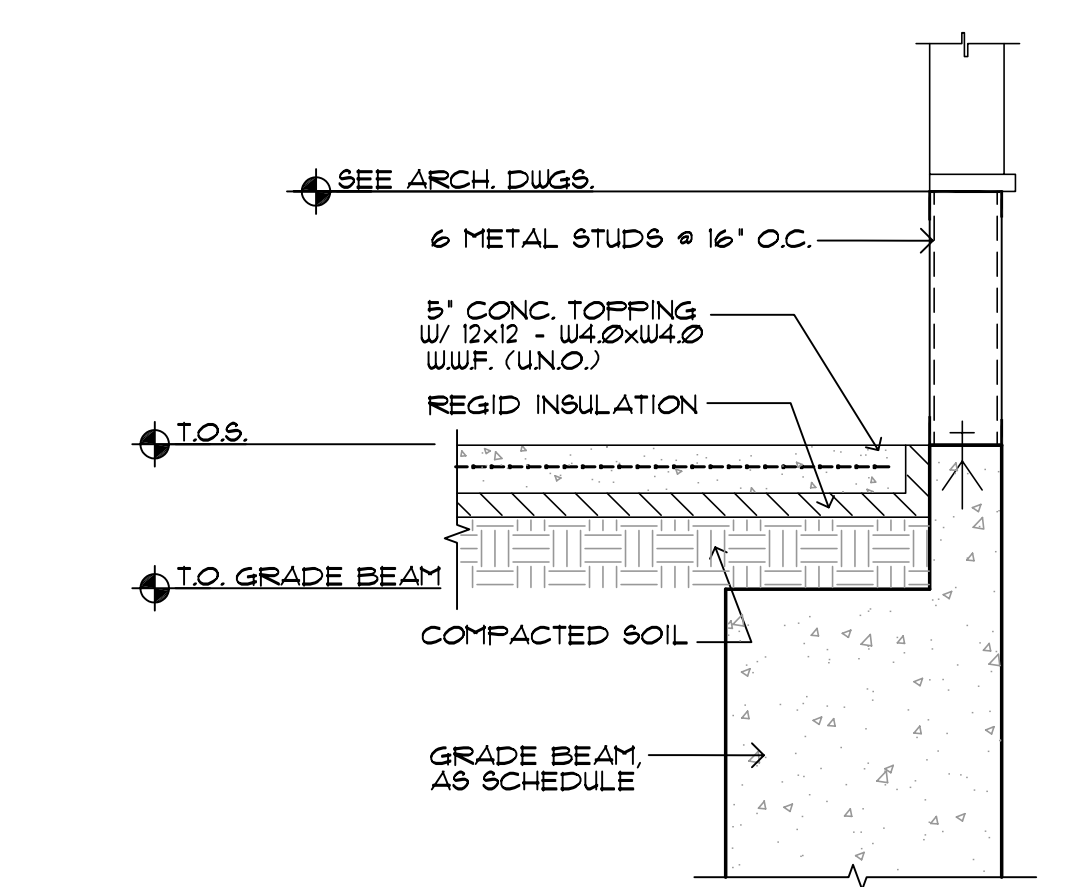
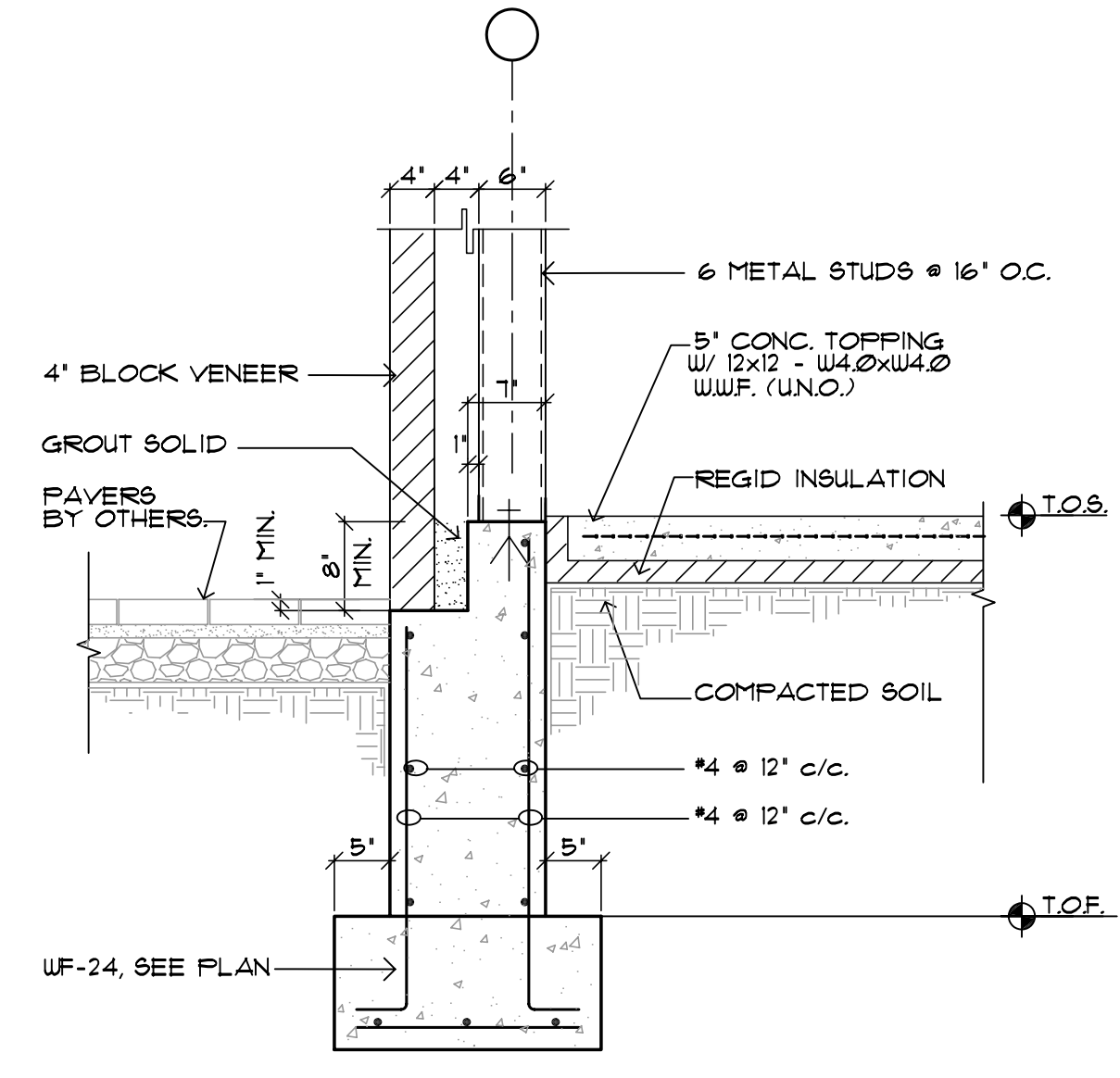
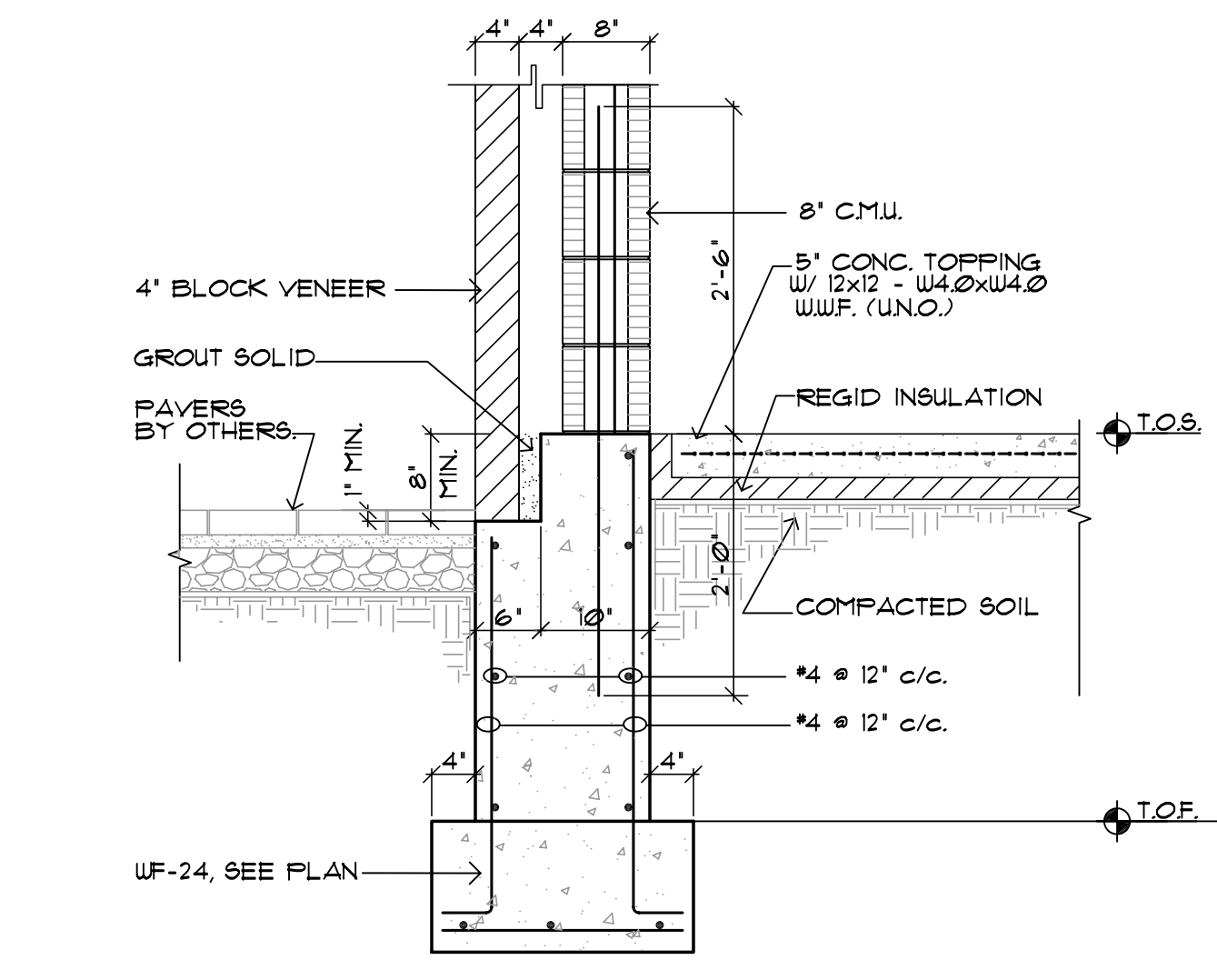
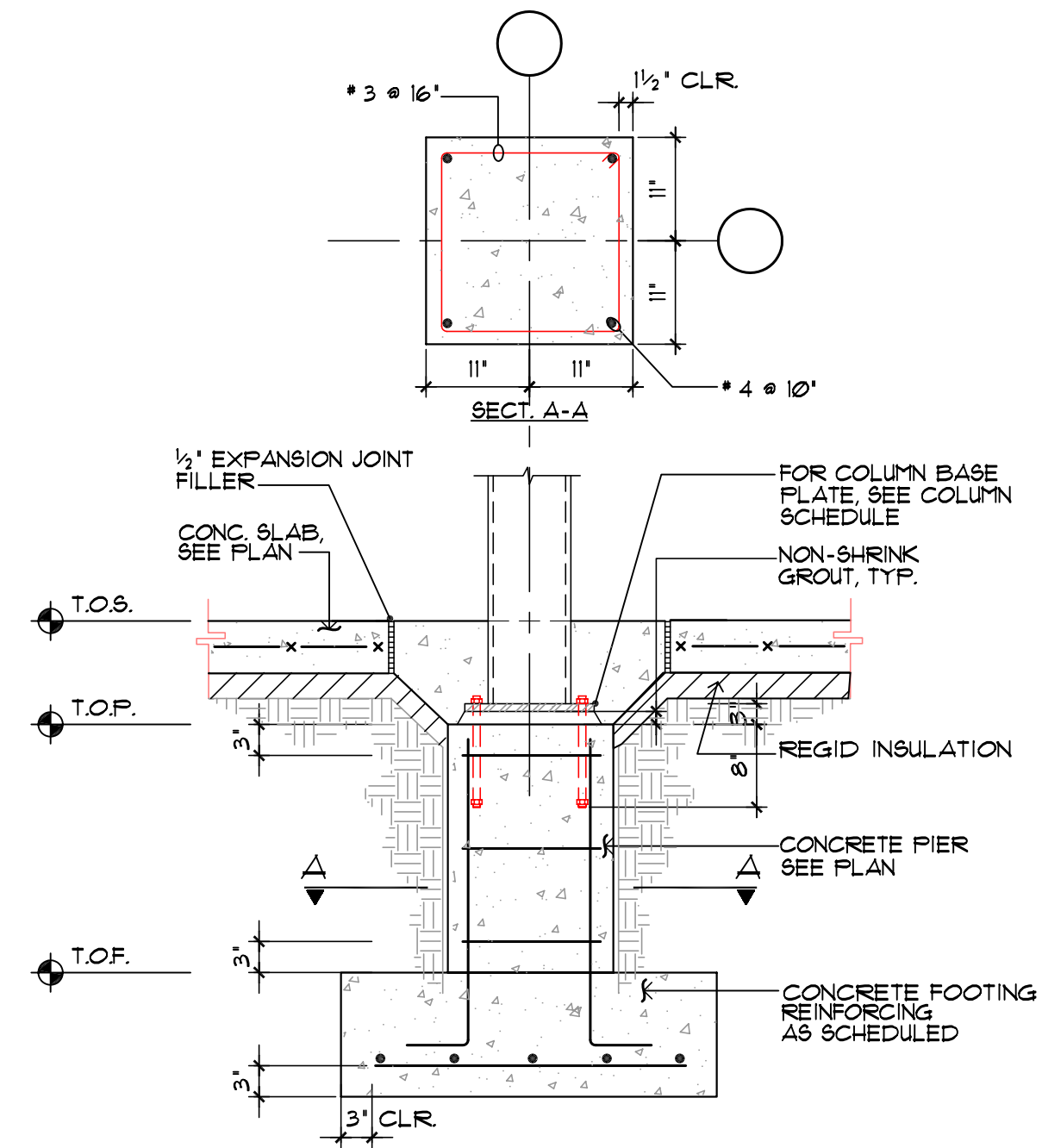
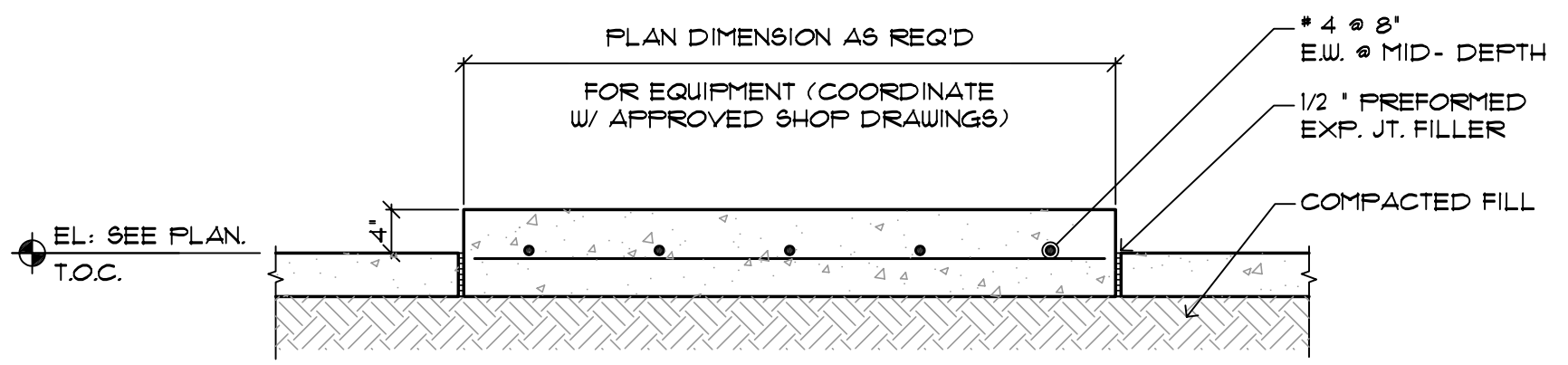
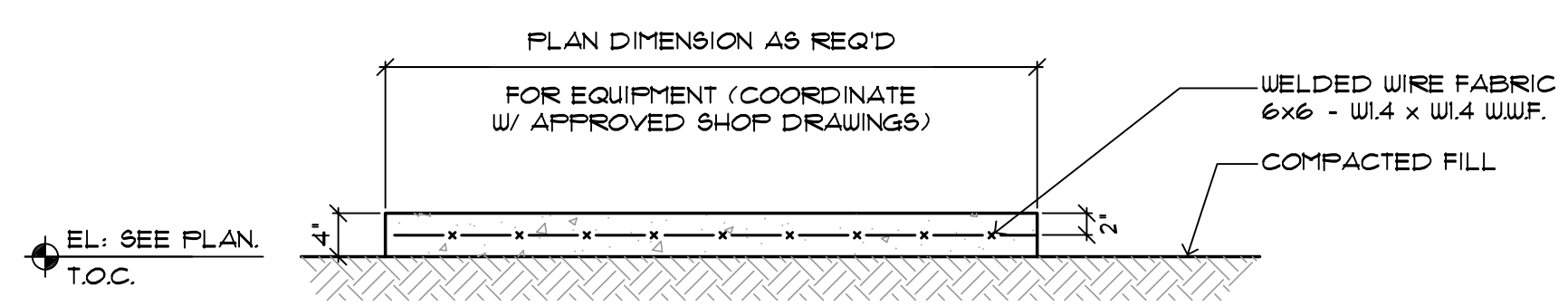
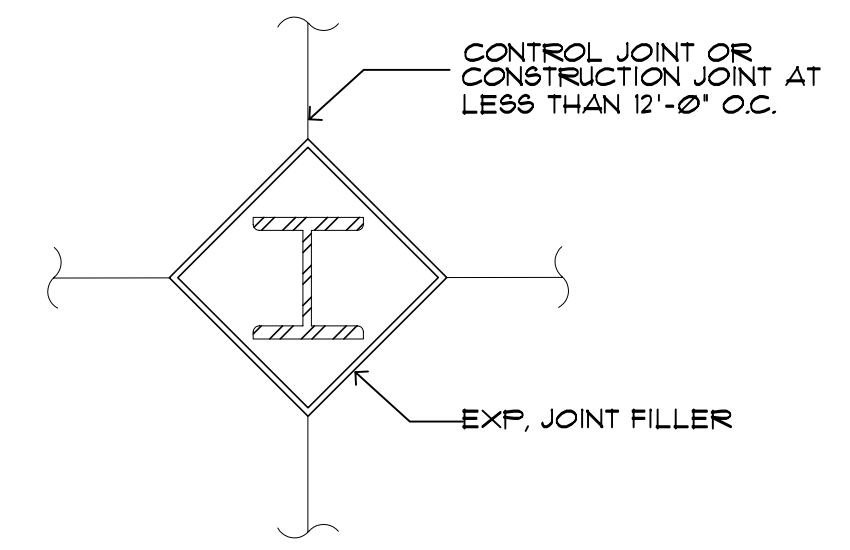
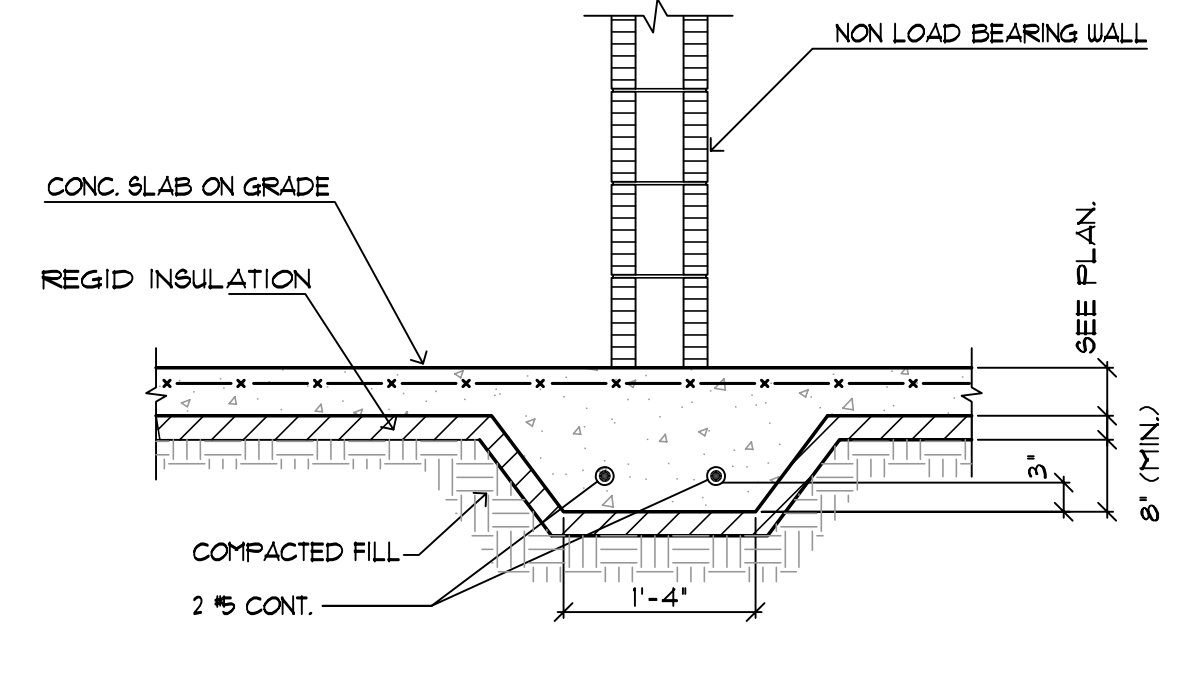
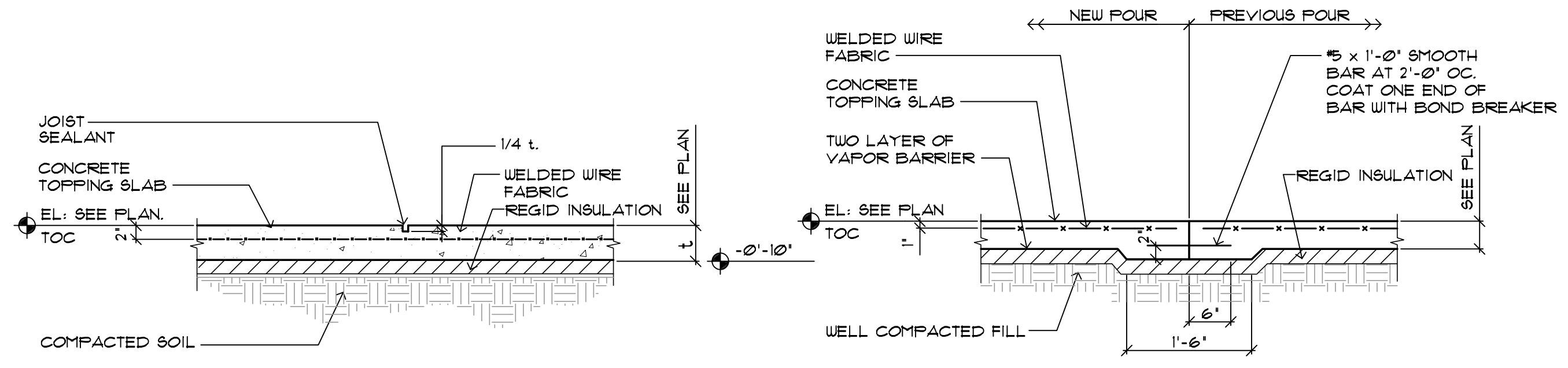
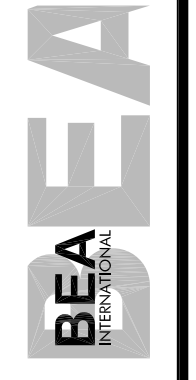


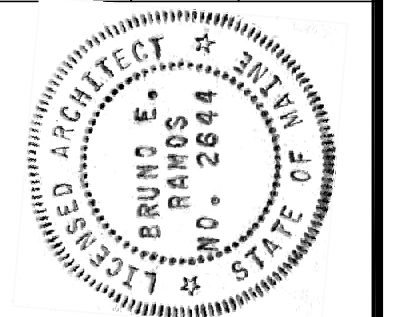
Filename: P:\02-0818 Maine Int Ferry Terminal\WORKING DRAWINGS\STRUCTURE\RECEIVING STATION\20343802-R-S200.dwg, Dec 23, 2005 - 2:17pm



IN ASSOCIATION WITH:  
GORRILL-PALMER CONSULTING ENGINEERS  
PERATROVICH, NOTTINGHAM, & DRAGE  
WILLY & SONS ARCHITECTS  
HALEY & ALDRICH



STATE OF MAINE  
DEPARTMENT OF TRANSPORTATION  
PROJECT NUMBER 009215.00  
PIN 009215.00



SIGNATURE  
P. LICENCE NUMBER  
DATE 12/23/05

PROJ. MANAGER	PAUL POTLIE	DATE
DESIGN-DETAILED		
CHECKED-REVIEWED		
DESIGN2-DETAILED2		
DESIGN3-DETAILED3		
REVISIONS 1	WAP 22 DESIGN CHANGE	10/15/05
REVISIONS 2	WAP-VE-CODE CHANGES	12/23/05
REVISIONS 3		
REVISIONS 4		
FIELD CHANGES		

CITY OF PORTLAND  
OCEAN GATEWAY PHASE 1  
RECEIVING STATION  
SCHEDULES

S200-R