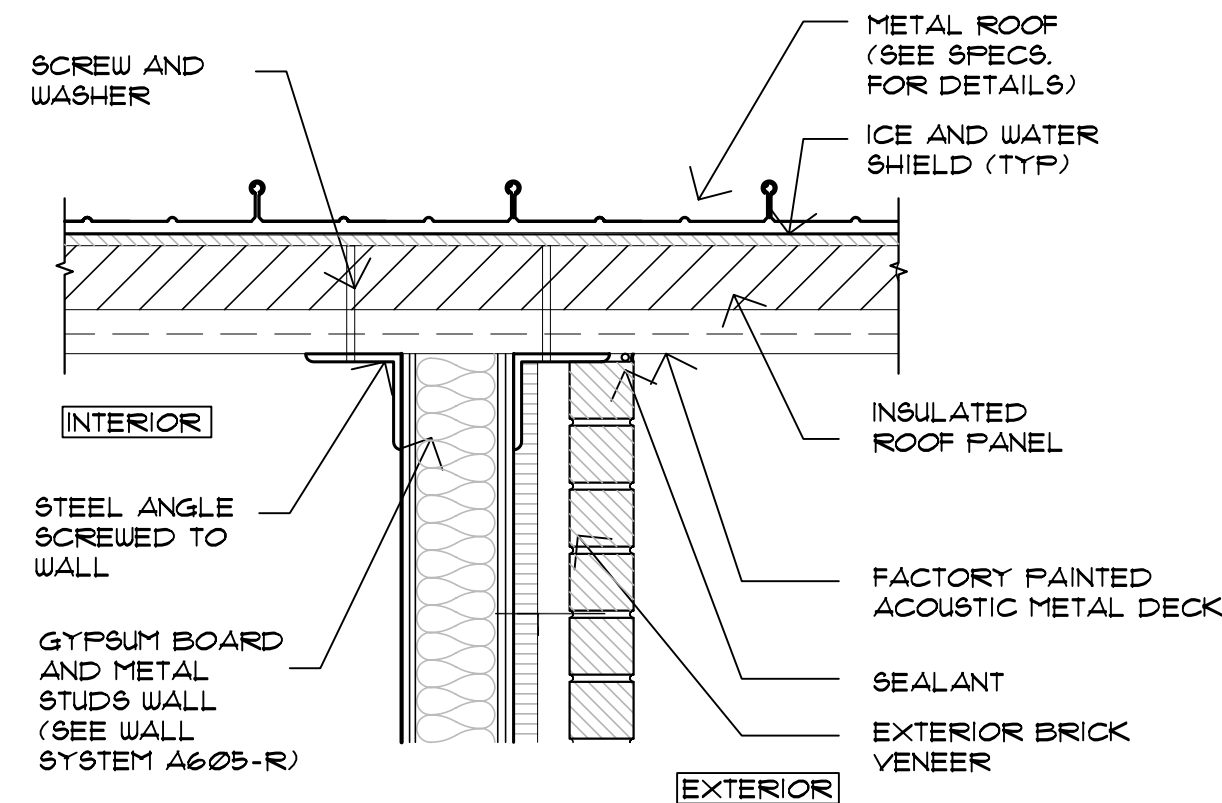


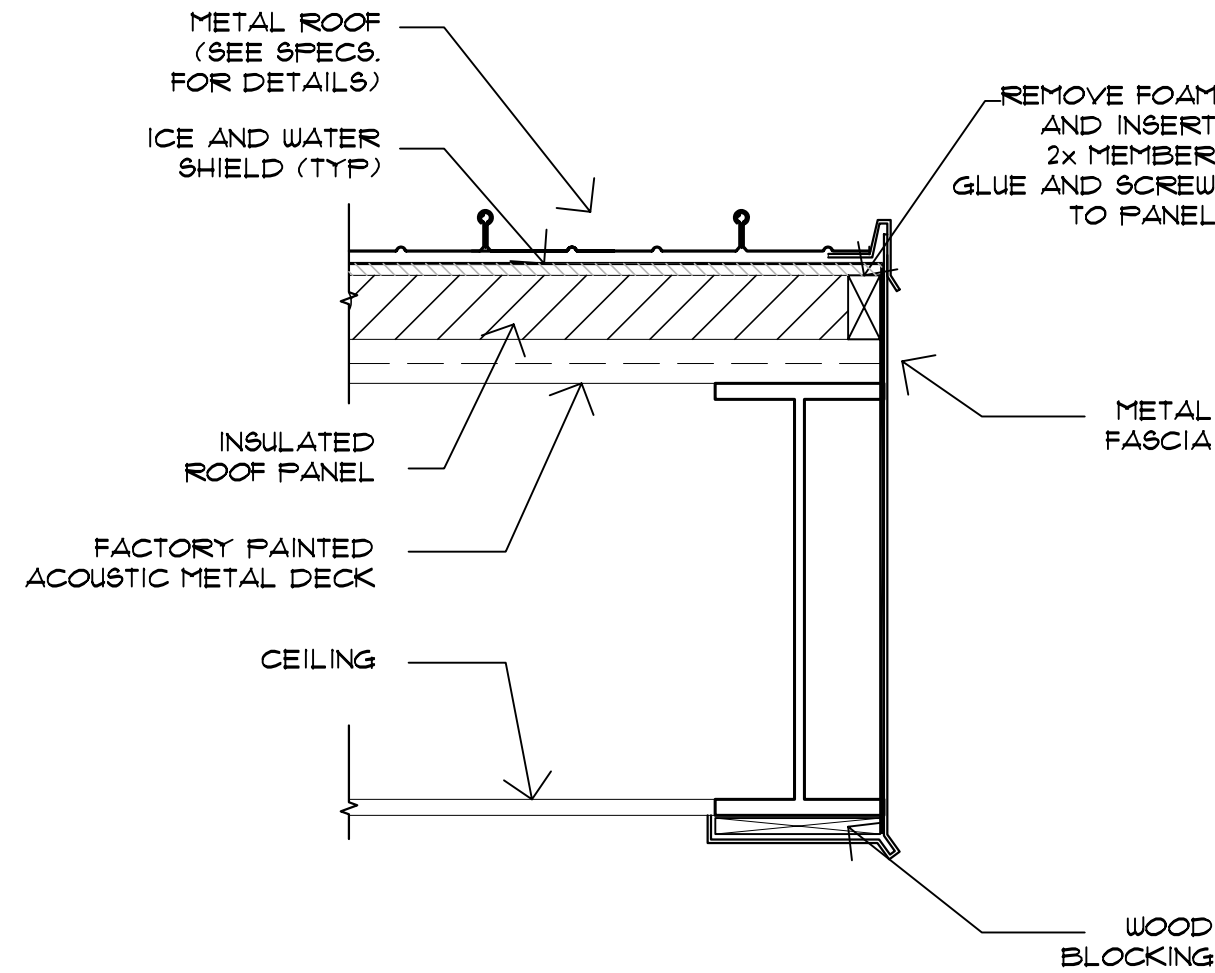
Filename: P:\02-0818 Maine Int Ferry Terminal\WORKING DRAWINGS\ARCHITECTURE\RECEIVING STATION\203-43802-R-A1003.dwg, Dec 22, 2005 - 2:11pm



**ROOF AND WALL DETAIL**

SCALE: 1" = 1'-0"

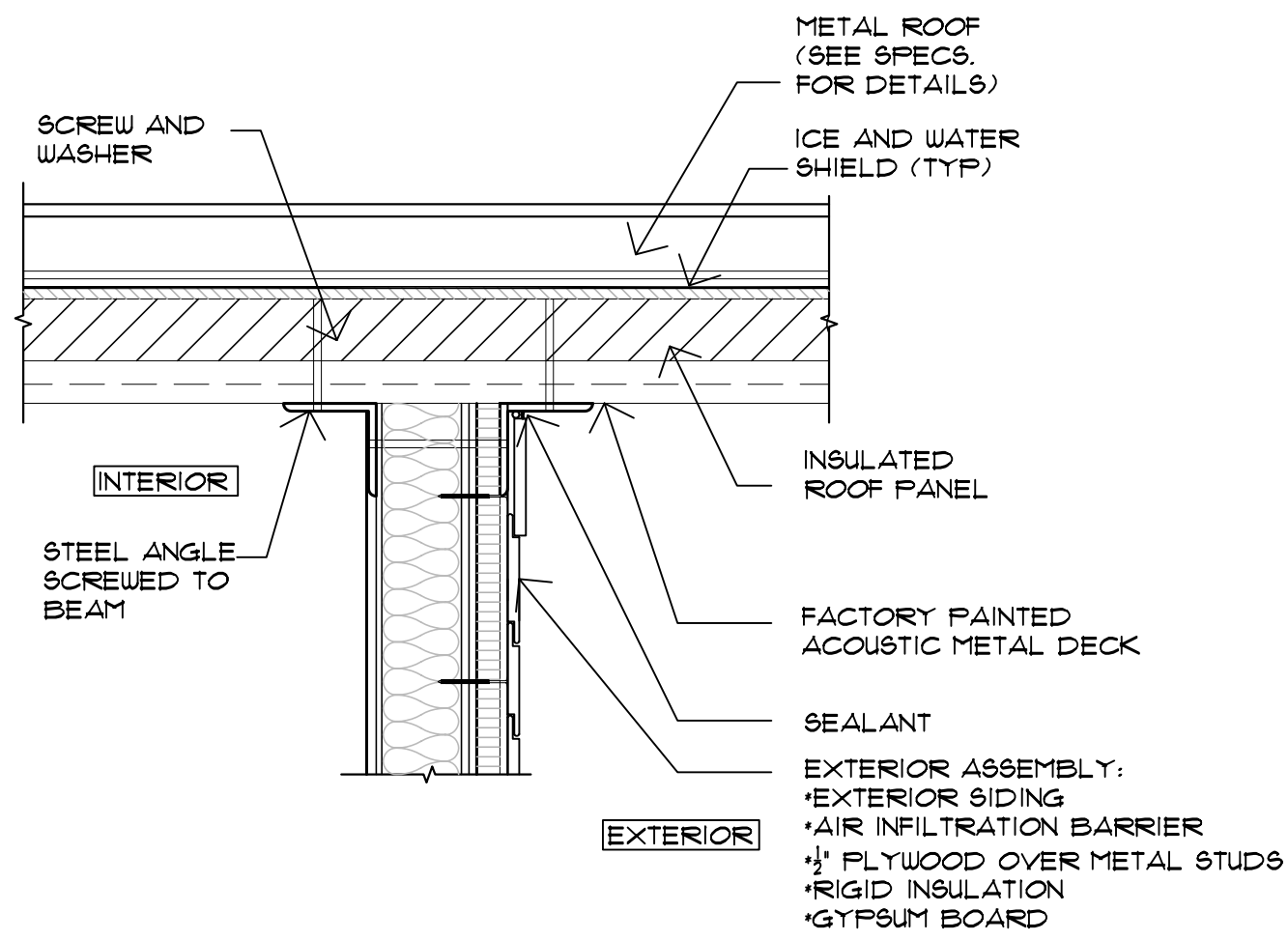
1  
A1003R



**OVERHANG DETAIL**

SCALE: 1" = 1'-0"

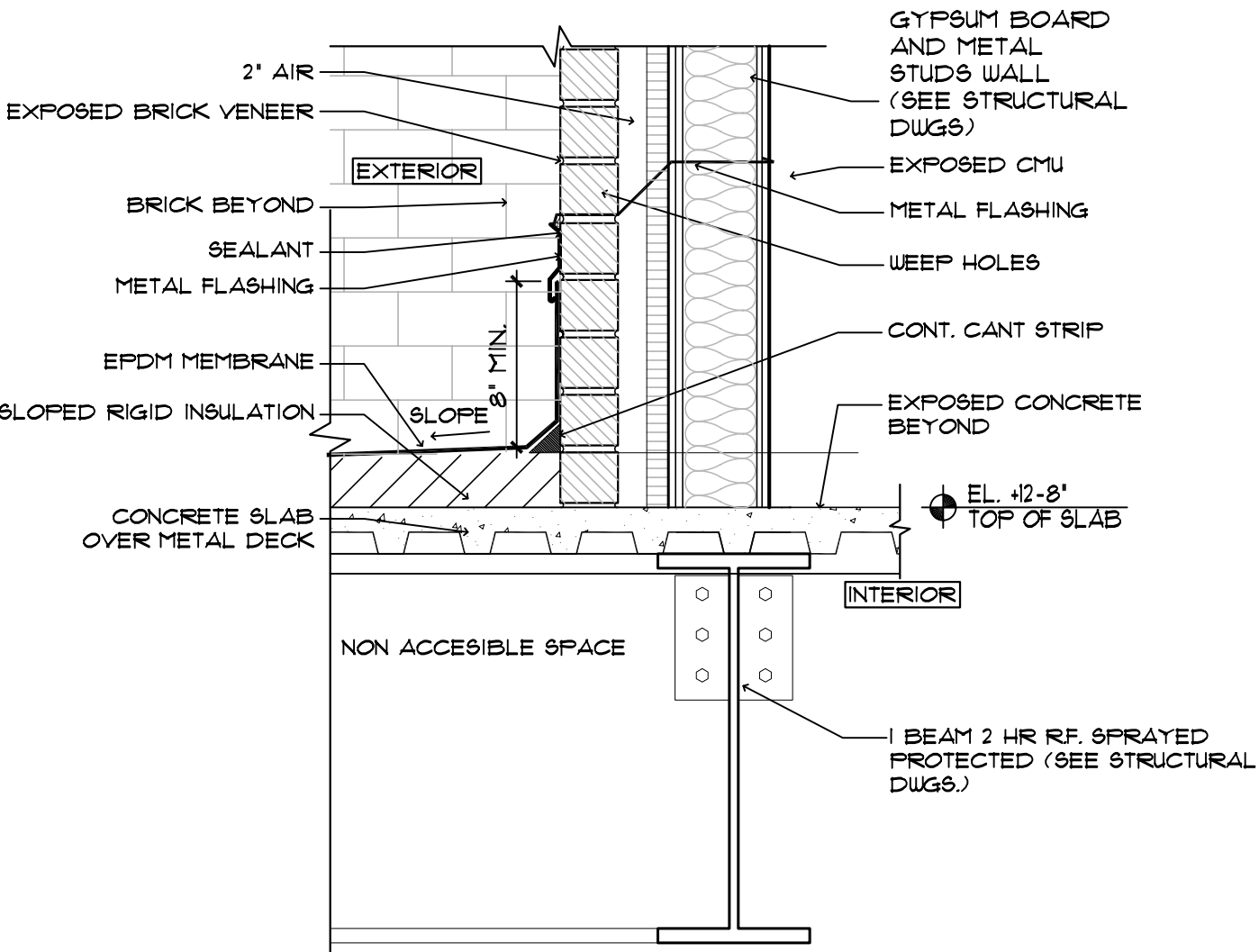
2  
A1003R



**WALL AND ROOF DETAIL**

SCALE: 1" = 1'-0"

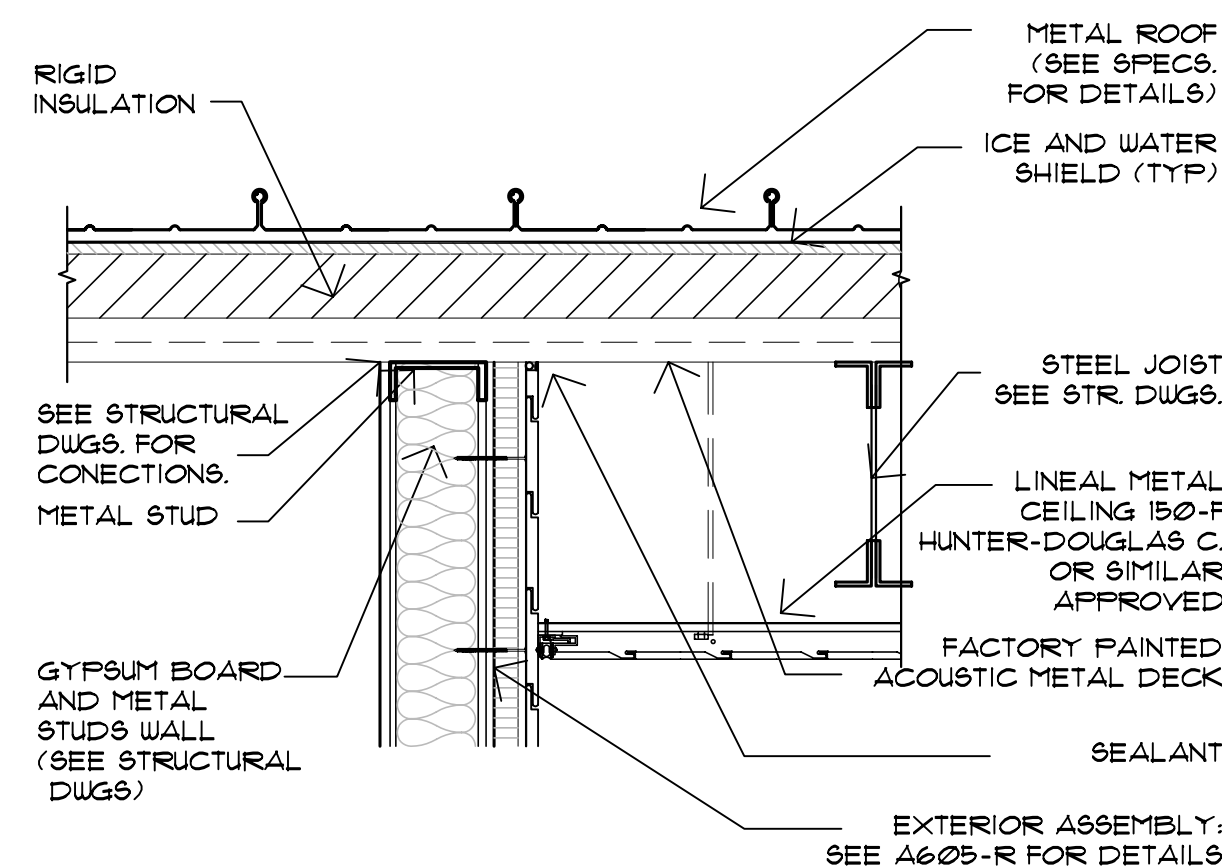
3  
A1003R



**ROOF DETAIL**

SCALE: 1" = 1'-0"

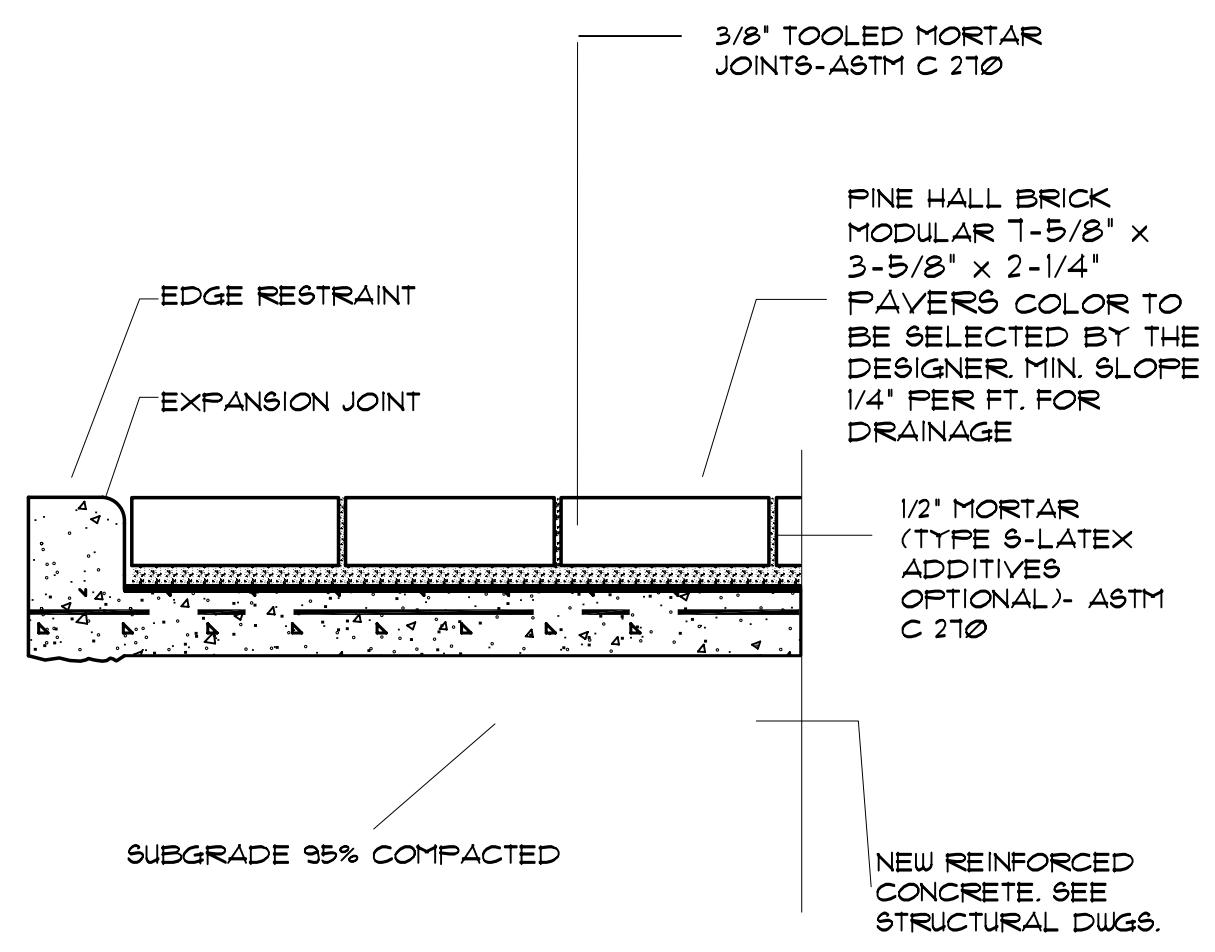
4  
A1003R



**ROOF AND WALL DETAIL**

SCALE: 1" = 1'-0"

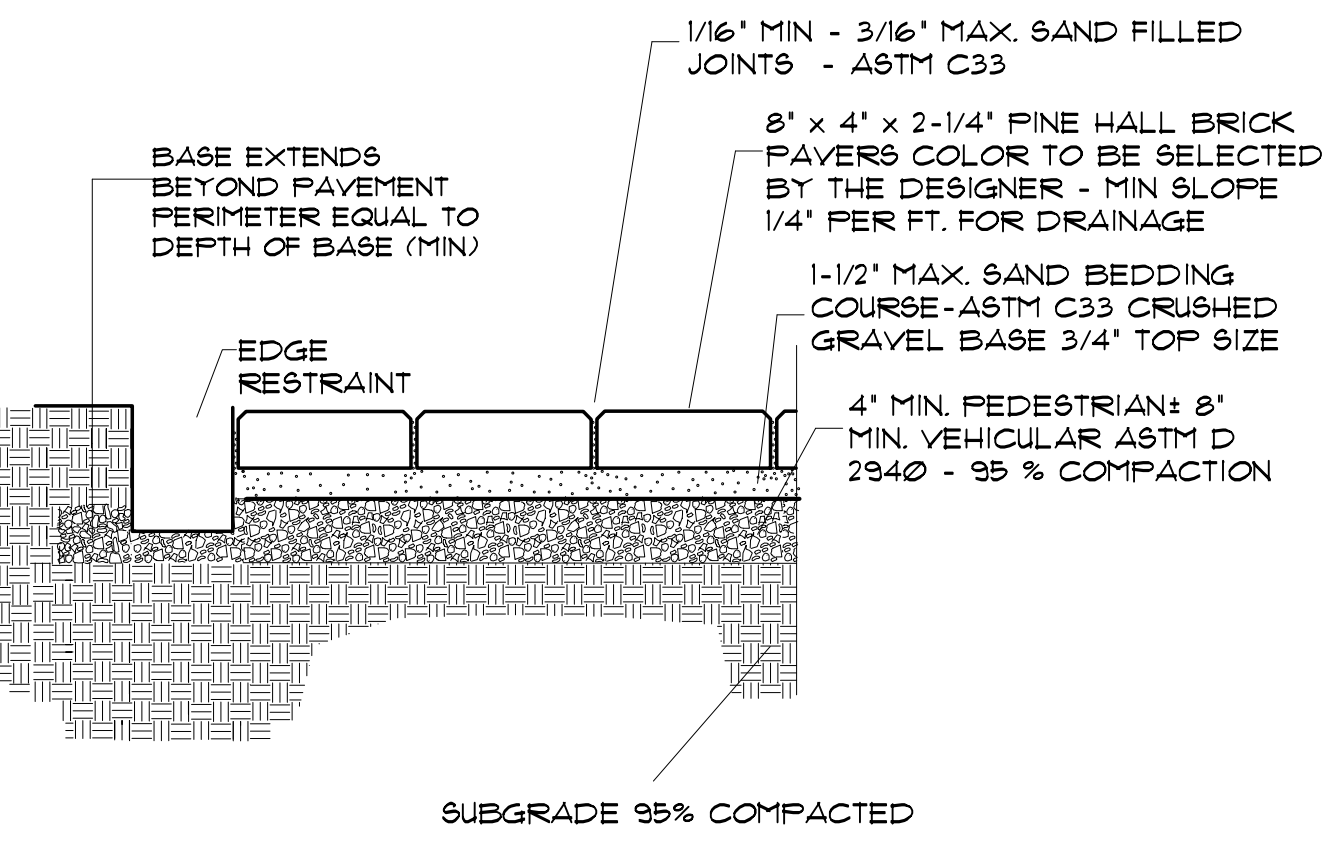
5  
A1003R



**RIGID BASE MORTARED PAVERS**

SCALE: 3" = 1'-0"

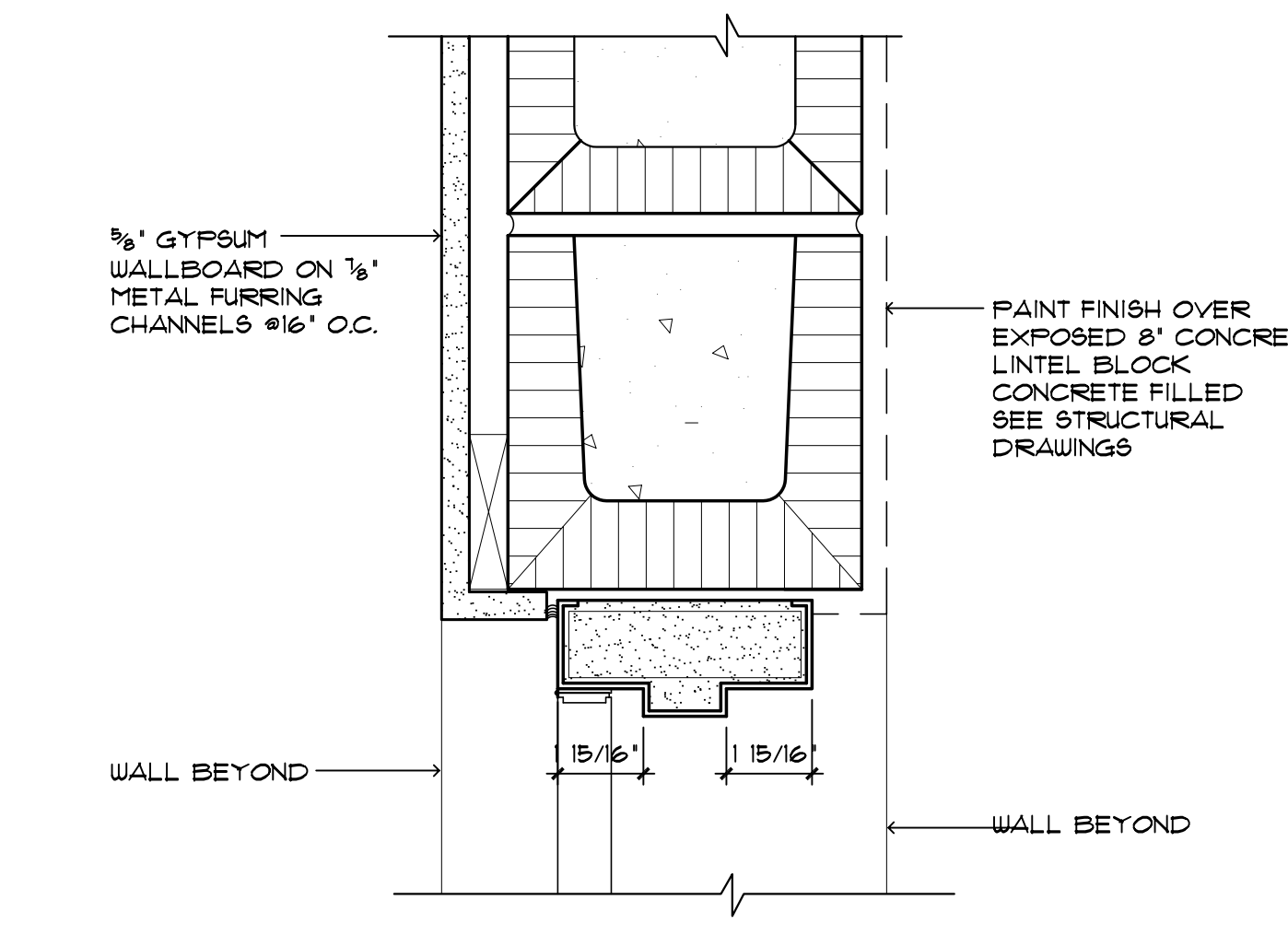
6  
A1003R



**STANDARD FLEXIBLE BASE PAVERS**

SCALE: 3" = 1'-0"

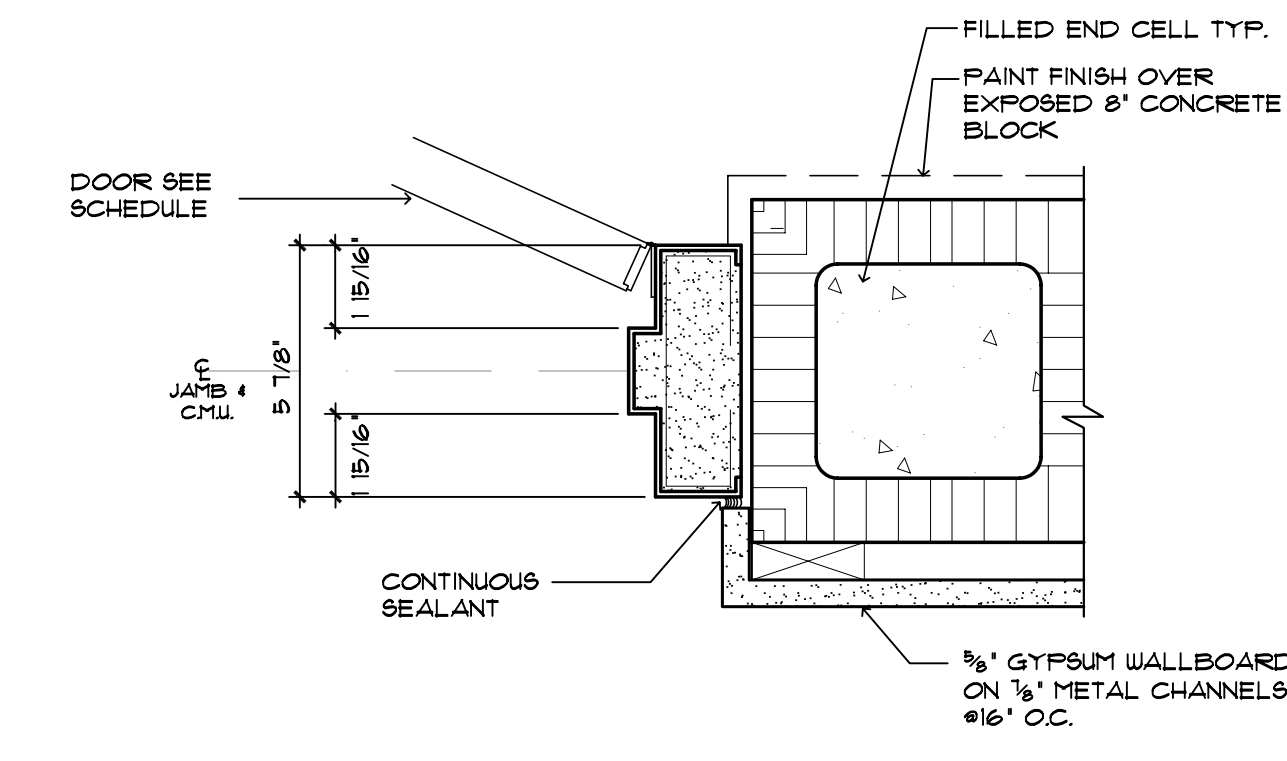
7  
A1003R



**DOOR HEADER DETAIL**

SCALE: 3" = 1'-0"

8  
A1003R



**DOOR JAMB DETAIL**

SCALE: 3" = 1'-0"

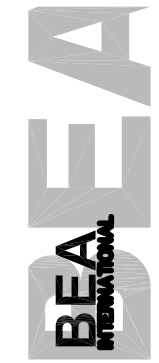
9  
A1003R

NOT USED

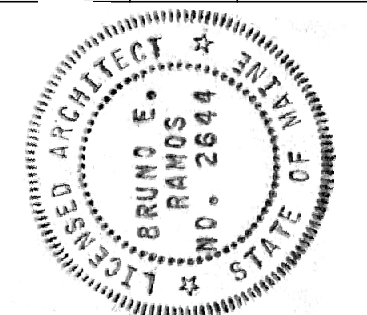
NOT USED

NOT USED

IN ASSOCIATION WITH:  
GERRILL-PALMER CONSULTING ENGINEERS  
PERATROVICH, NOTTINGHAM, & DRAGE  
WINTON SCOTT ARCHITECTS  
PALEY & ALDRICH



STATE OF MAINE  
DEPARTMENT OF TRANSPORTATION  
PROJECT NUMBER 009215.00  
PIN  
009215.00



PROJ. MANAGER	PAUL POTLITZ	DATE	12/23/05
DESIGN-DETAILED		BY	
CHECKED-REVIEWED			
DESIGN2-DETAILED2			
DESIGN3-DETAILED3			
REVISIONS 1	VAAP 22 DESIGN CHANGE 10/15/05	P. LICENCE NUMBER	
REVISIONS 2	VAAP-VE-CODE CHANGES 12/23/05	DATE	12/23/05
REVISIONS 3			
REVISIONS 4			
FIELD CHANGES			

CITY OF PORTLAND  
OCEAN GATEWAY PHASE 1

DETAILS

A1003-R

211a OF 288