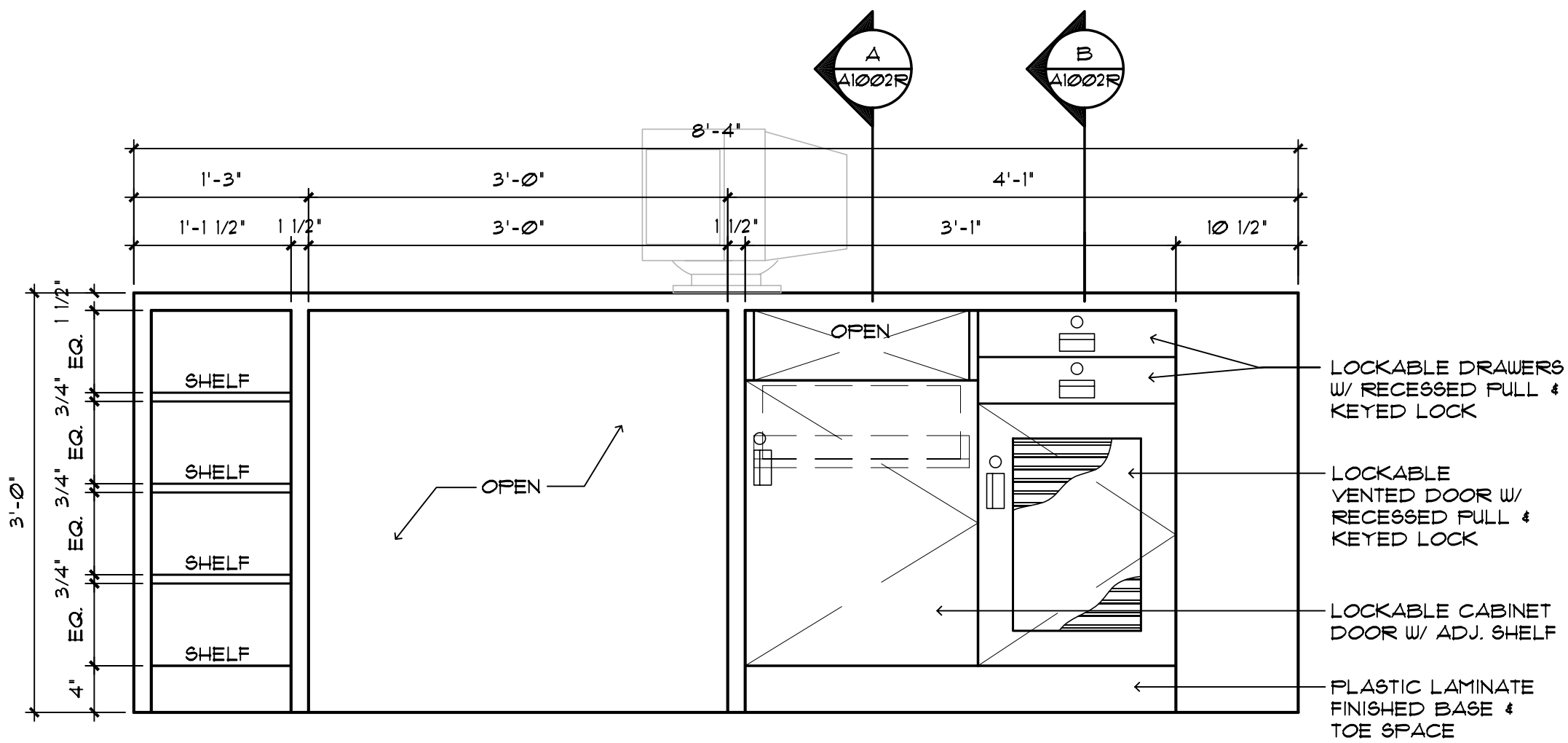
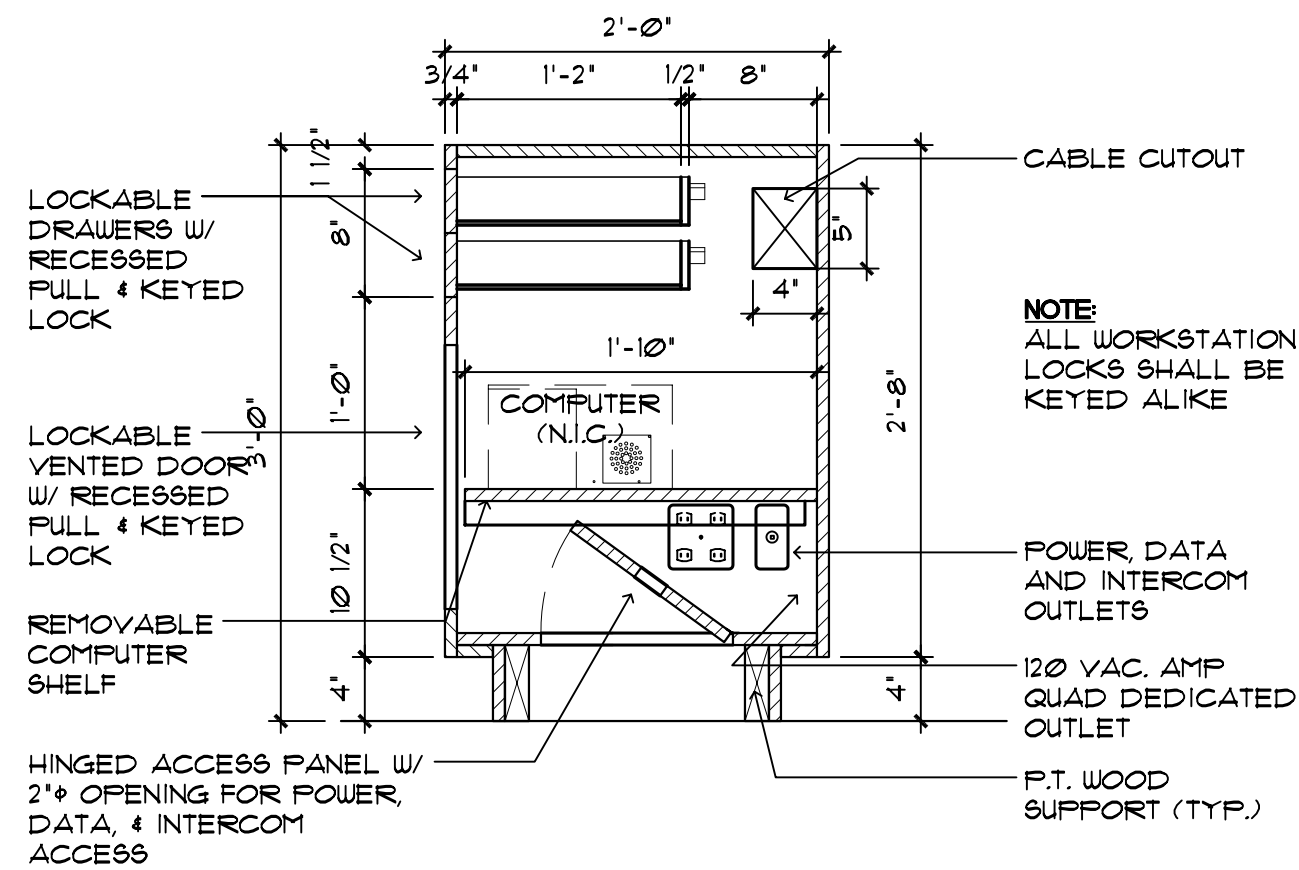


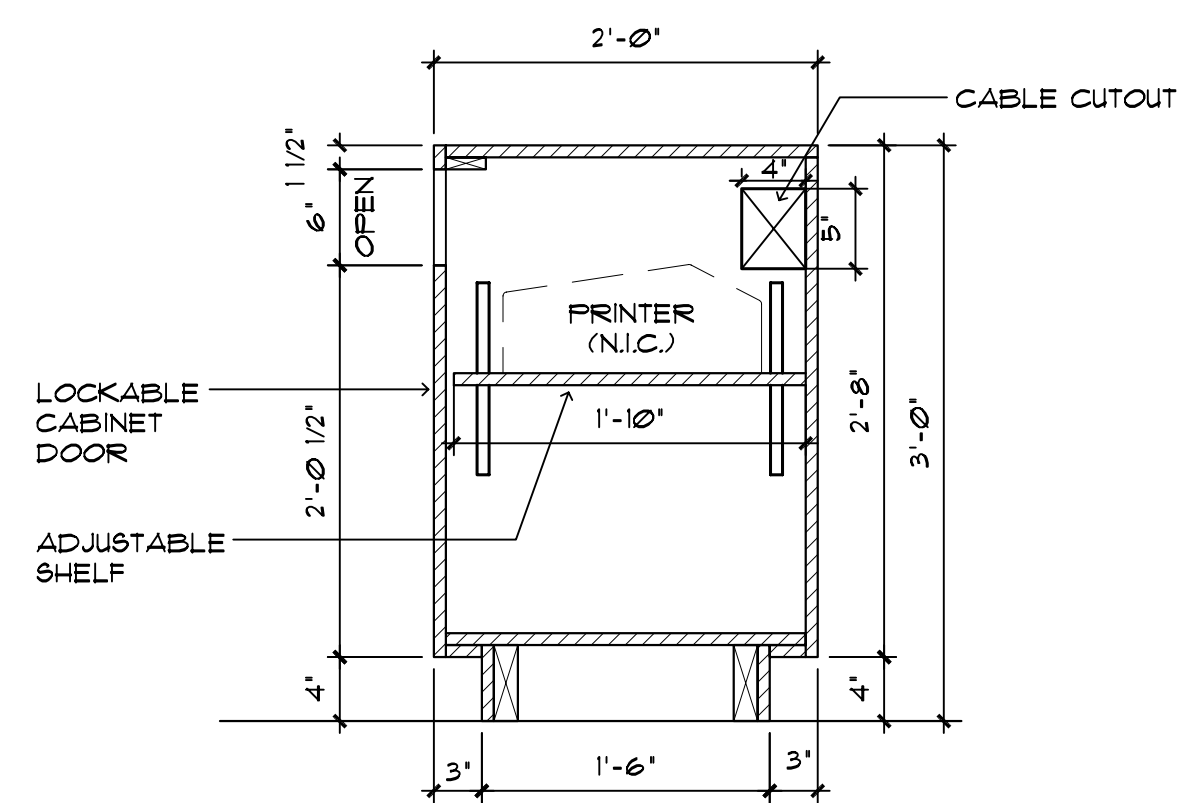
PARTIAL ENLARGED TICKETING COUNTER PLAN (COUNTER #1)
SCALE: 1"=1'-0"



TICKETING COUNTER REAR ELEVATION (COUNTER #1)
SCALE: 1"=1'-0"



SECTION A
SCALE: 1"=1'-0"

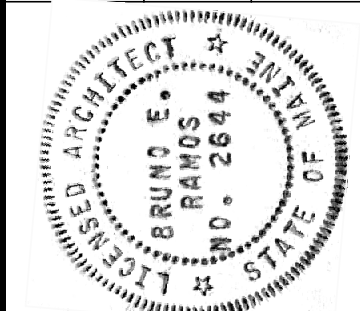


SECTION B
SCALE: 1"=1'-0"

IN ASSOCIATION WITH:
CORRILL-PALMER CONSULTING ENGINEERS
PERATROVICH, NOTTINGHAM, & DRAGE
WINTON SCOTT ARCHITECTS
PALEY & ALDRICH



STATE OF MAINE
DEPARTMENT OF TRANSPORTATION
PROJECT NUMBER 009215.00



SIGNATURE
P. LICENCE NUMBER
DATE 12/23/05

PROJ. MANAGER	PAUL POTTE	DATE
DESIGN-DETAILED		
CHECKED-REVIEWED		
DESIGN2-DETAILED2		
DESIGN3-DETAILED3		
REVISIONS 1	VAAP 22 DESIGN CHANGE 10/15/05	
REVISIONS 2	VAAP-VE-CODE CHANGES 12/23/05	
REVISIONS 3		
REVISIONS 4		
REVISIONS 5		
FIELD CHANGES		

CITY OF PORTLAND
OCEAN GATEWAY PHASE 1

MILLWORK DETAILS

A1002-R