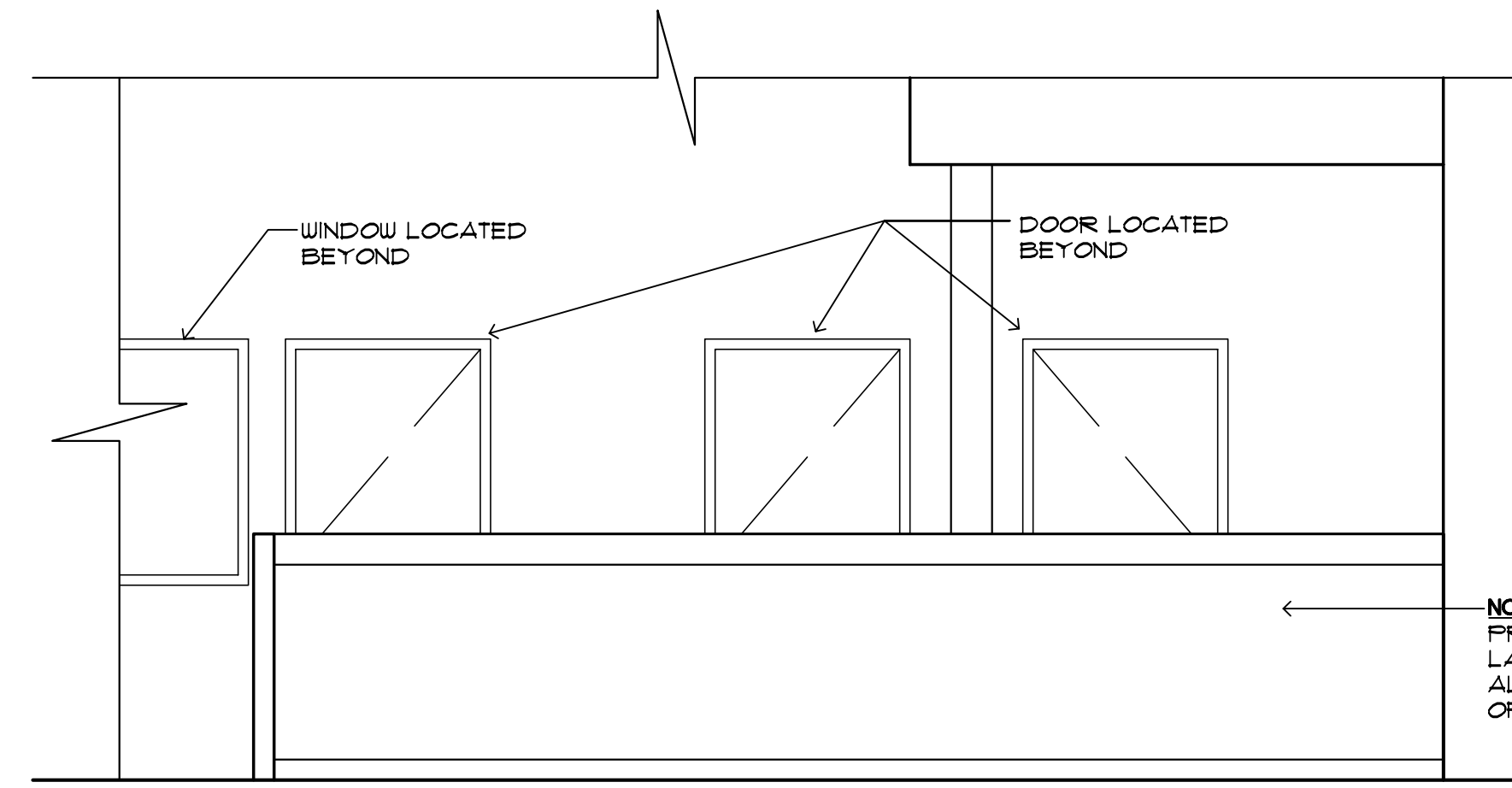


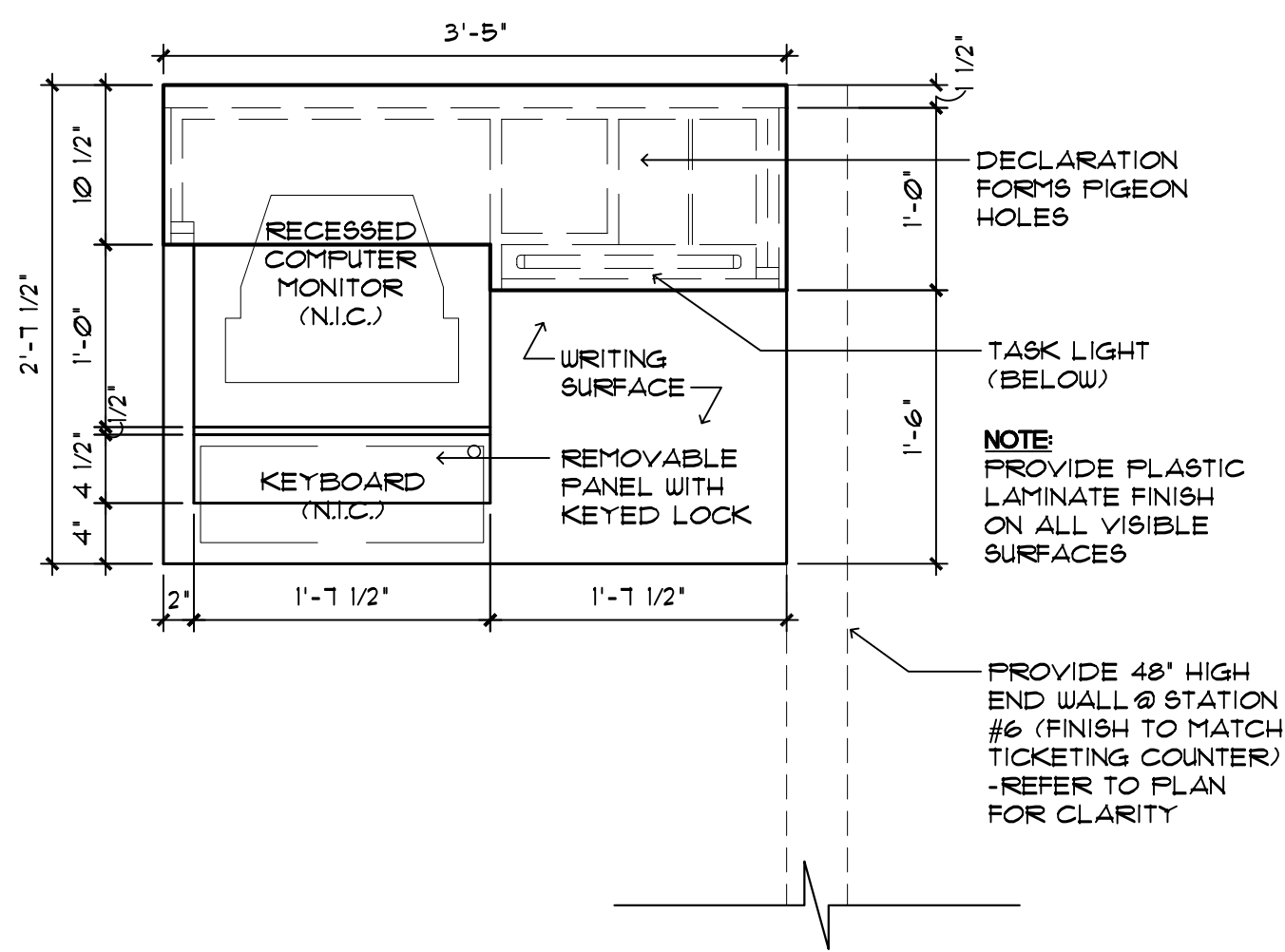
ENLARGED TICKETING COUNTER PLAN

SCALE: 3/8" = 1'-0"



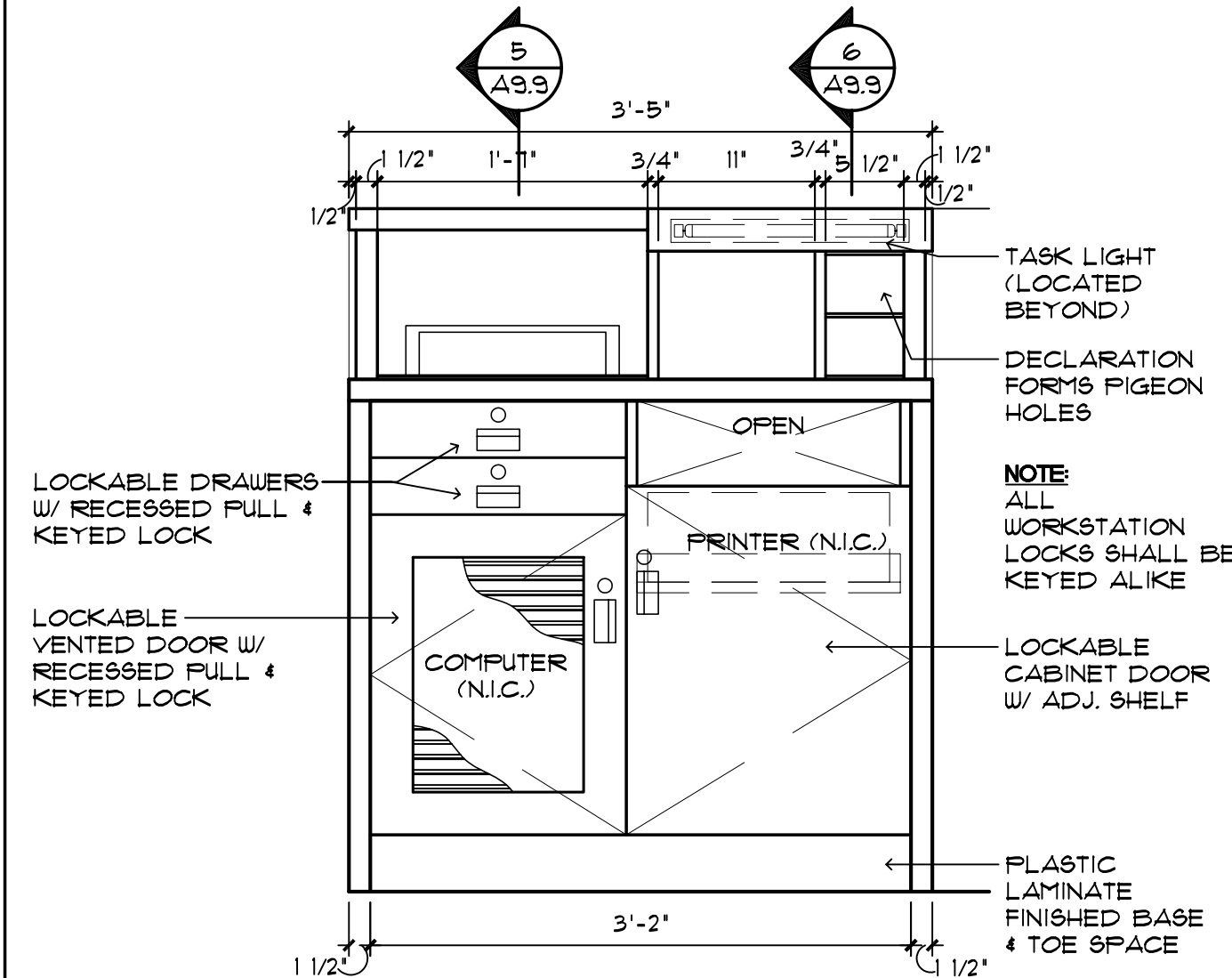
TICKETING COUNTER FRONT ELEVATION

SCALE: 3/8" = 1'-0"



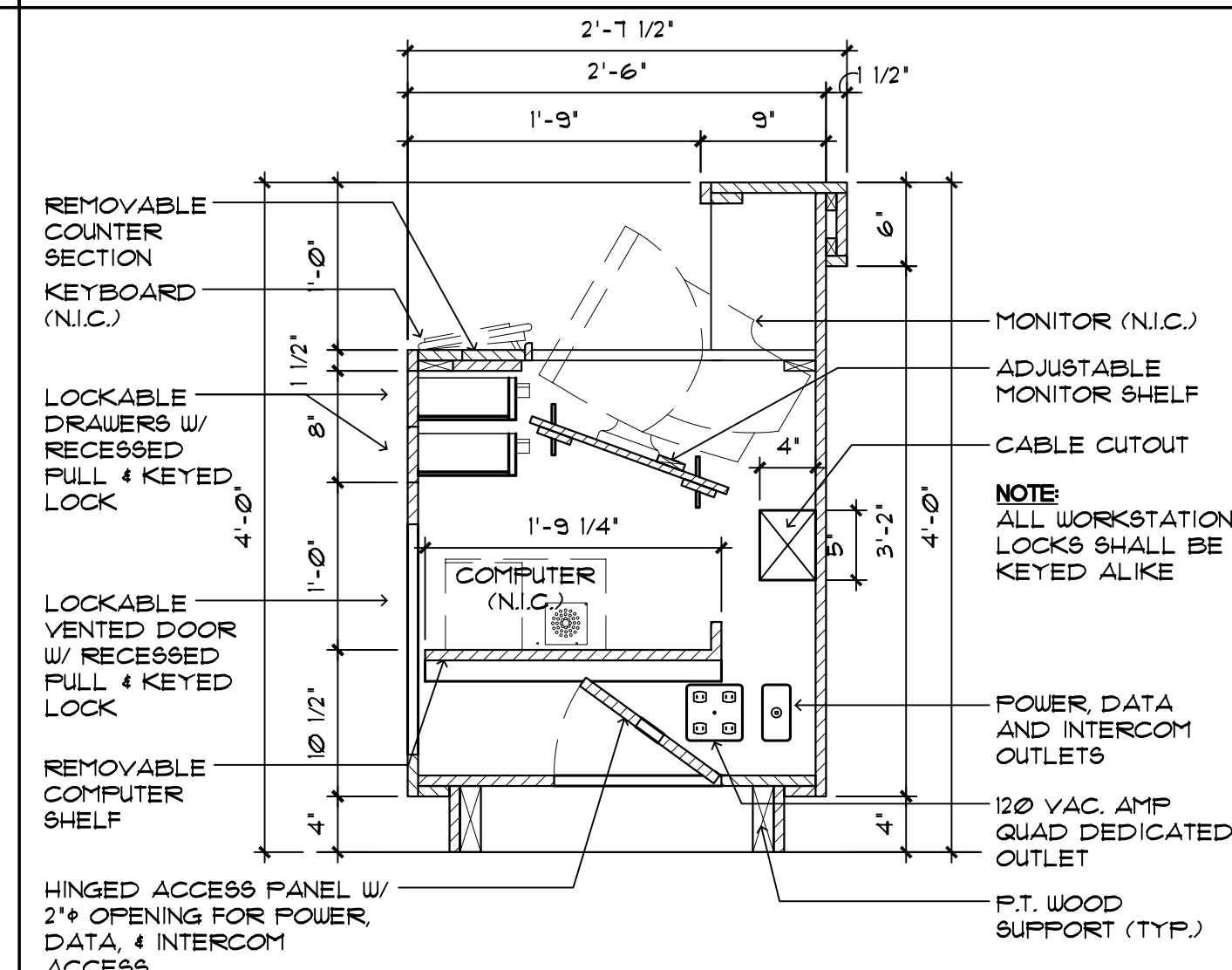
PARTIAL ENLARGED TICKETING COUNTER PLAN (COUNTERS 2 THROUGH 6)

SCALE: 1" = 1'-0"

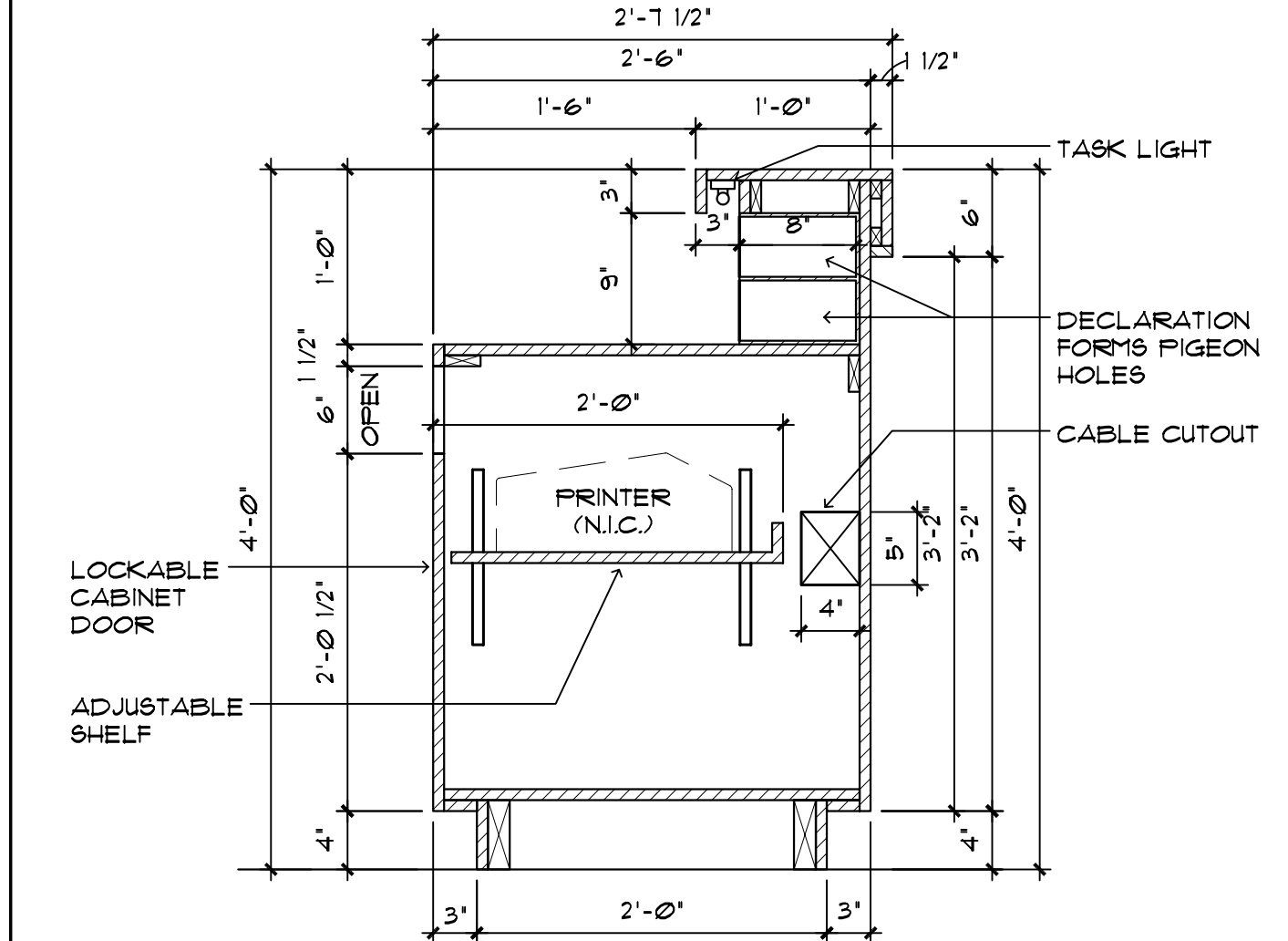


PARTIAL TICKETING COUNTER REAR ELEVATION (COUNTERS 2 THROUGH 6)

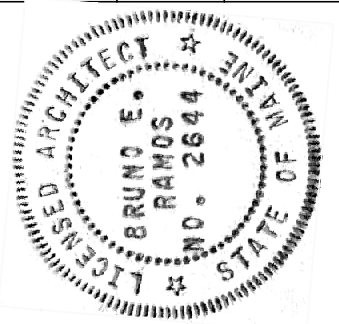
SCALE: 1" = 1'-0"



SECTION A
SCALE: 1" = 1'-0"



SECTION B
SCALE: 1" = 1'-0"



PROJ. MANAGER	PAUL POTLITZ	DATE	12/23/05
DESIGN-DETAILED		BY	
CHECKED-REVIEWED			
DESIGN2-DETAILED2			
DESIGN3-DETAILED3			
REVISIONS 1	VAAP 22 DESIGN CHANGE 10/15/05	P. LICENCE NUMBER	
REVISIONS 2	VAAP-VE-CODE CHANGES	DATE	12/23/05
REVISIONS 3			
REVISIONS 4			
REVISIONS 5			
FIELD CHANGES			