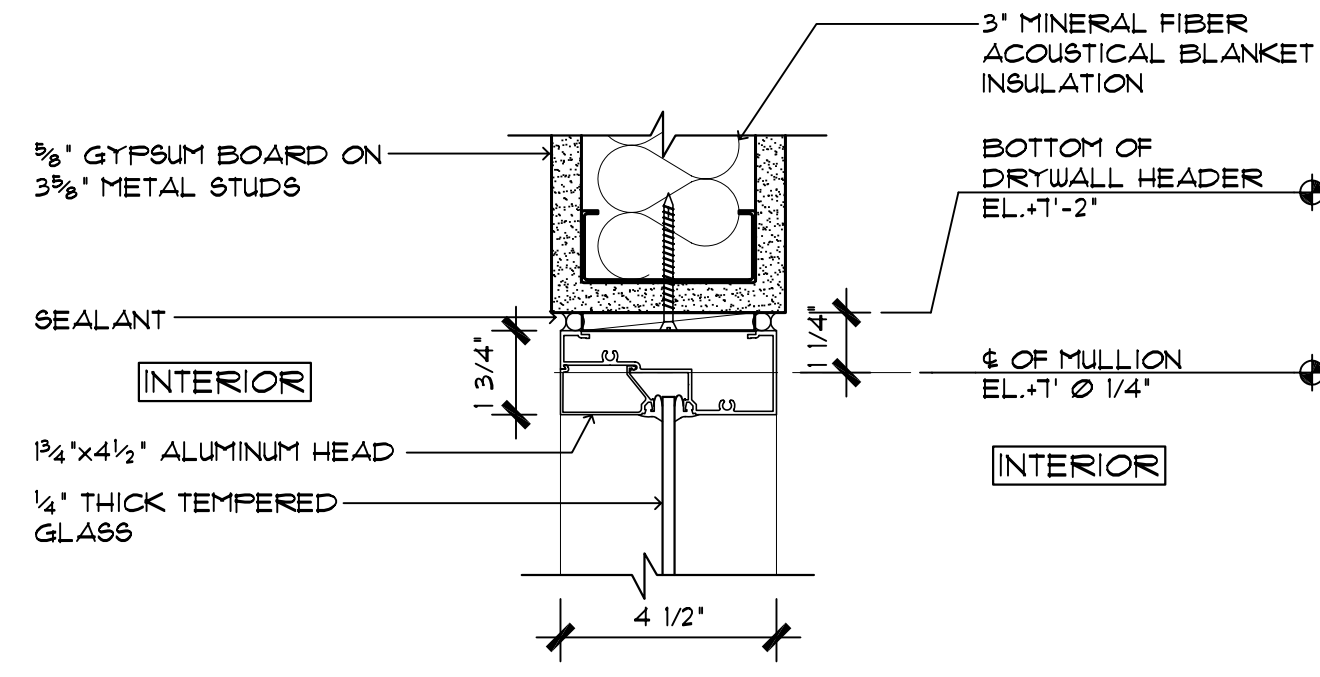
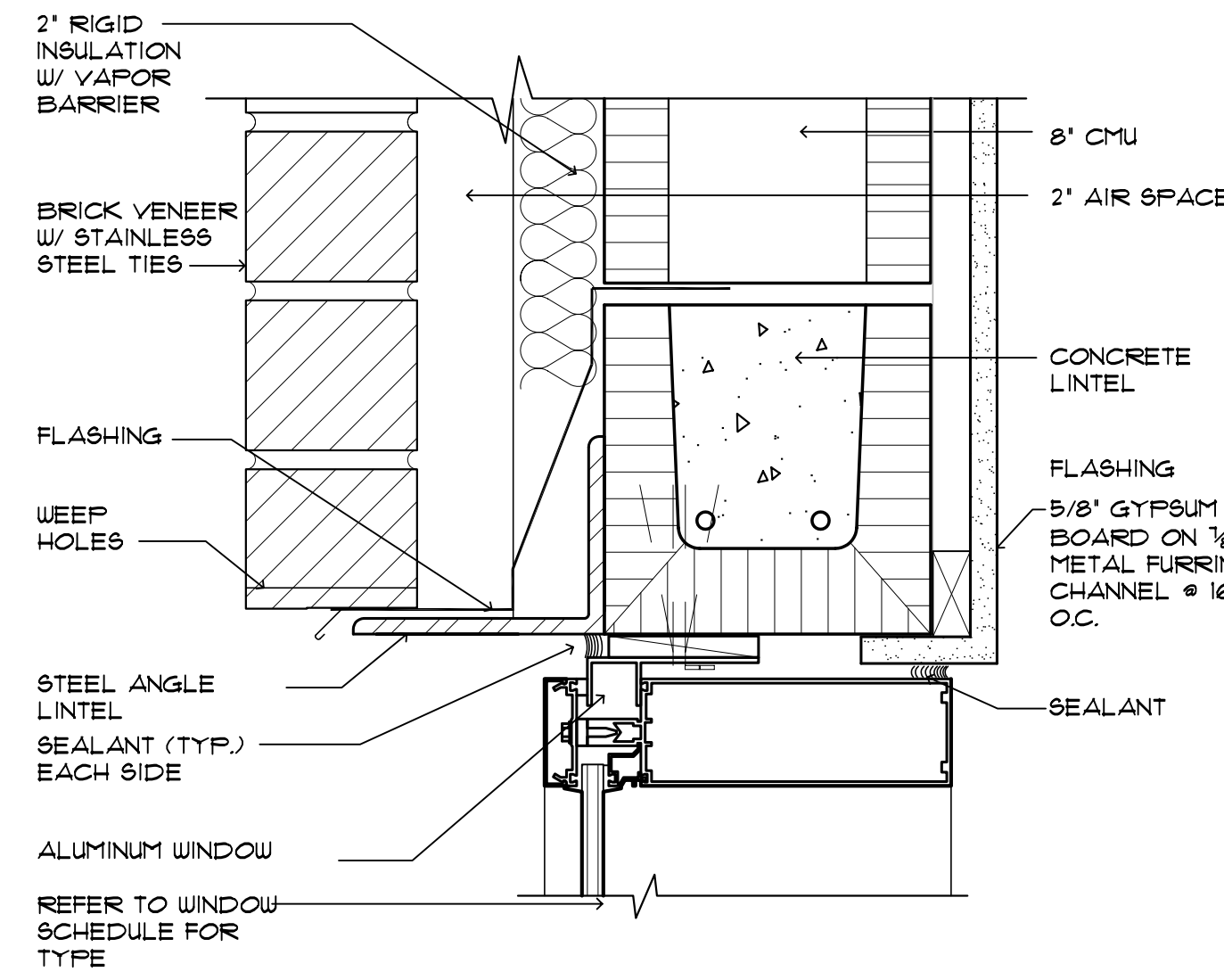


Filename: P:\02-0818 Maine Int Ferry Terminal\WORKING DRAWINGS\ARCHITECTURE\RECEIVING STATION\203-43802-R-A604.dwg, Dec 22, 2005 - 1:58pm



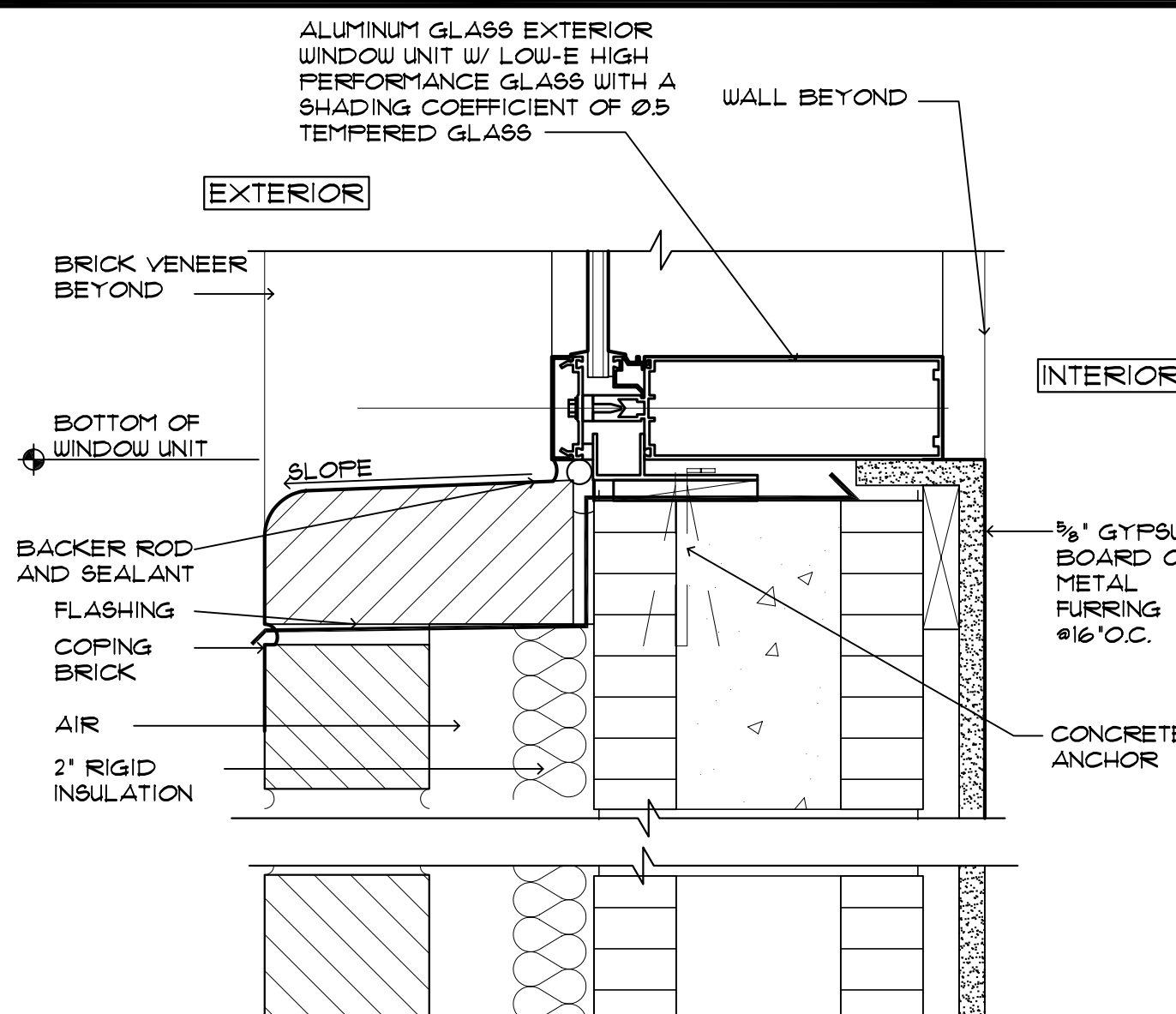
**WINDOW HEAD DETAIL**  
SCALE: 3' = 1'-0"

1  
A604R



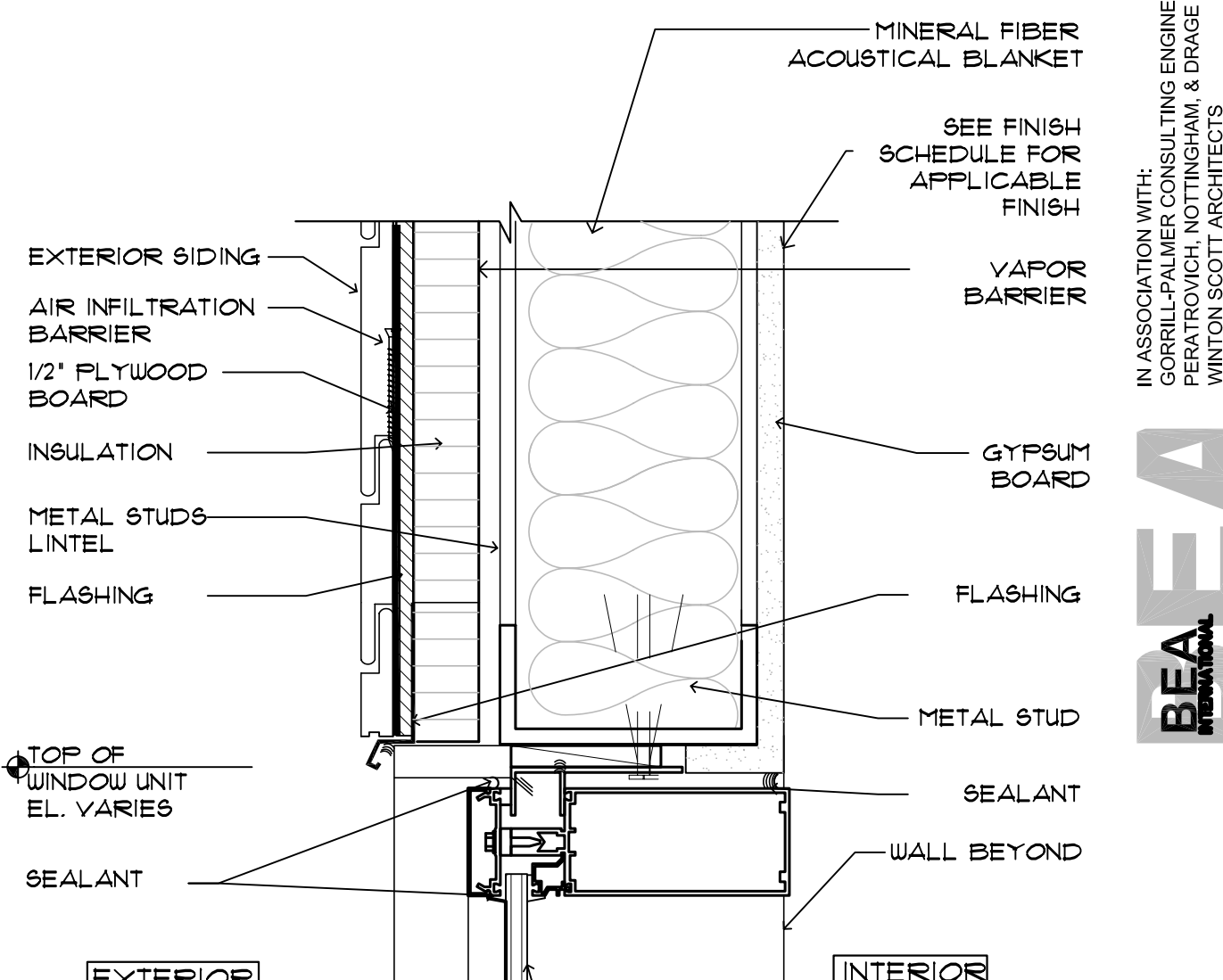
**WINDOW DETAIL**  
SCALE: 3' = 1'-0"

2  
A604R



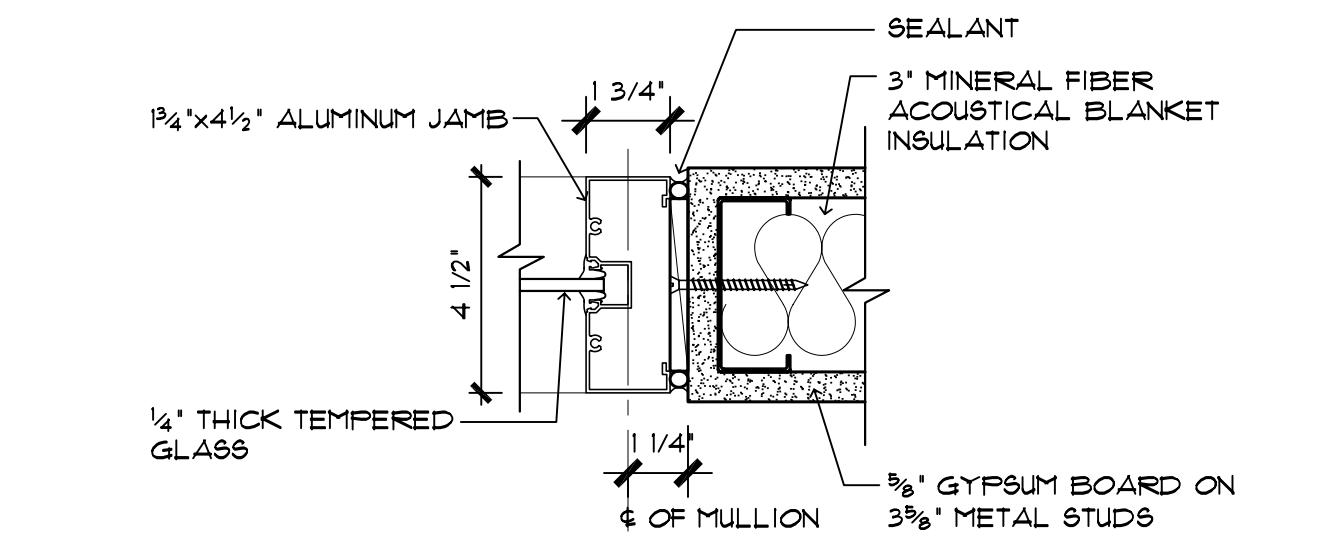
**WINDOW SILL DETAIL**  
SCALE: 3' = 1'-0"

3  
A604R



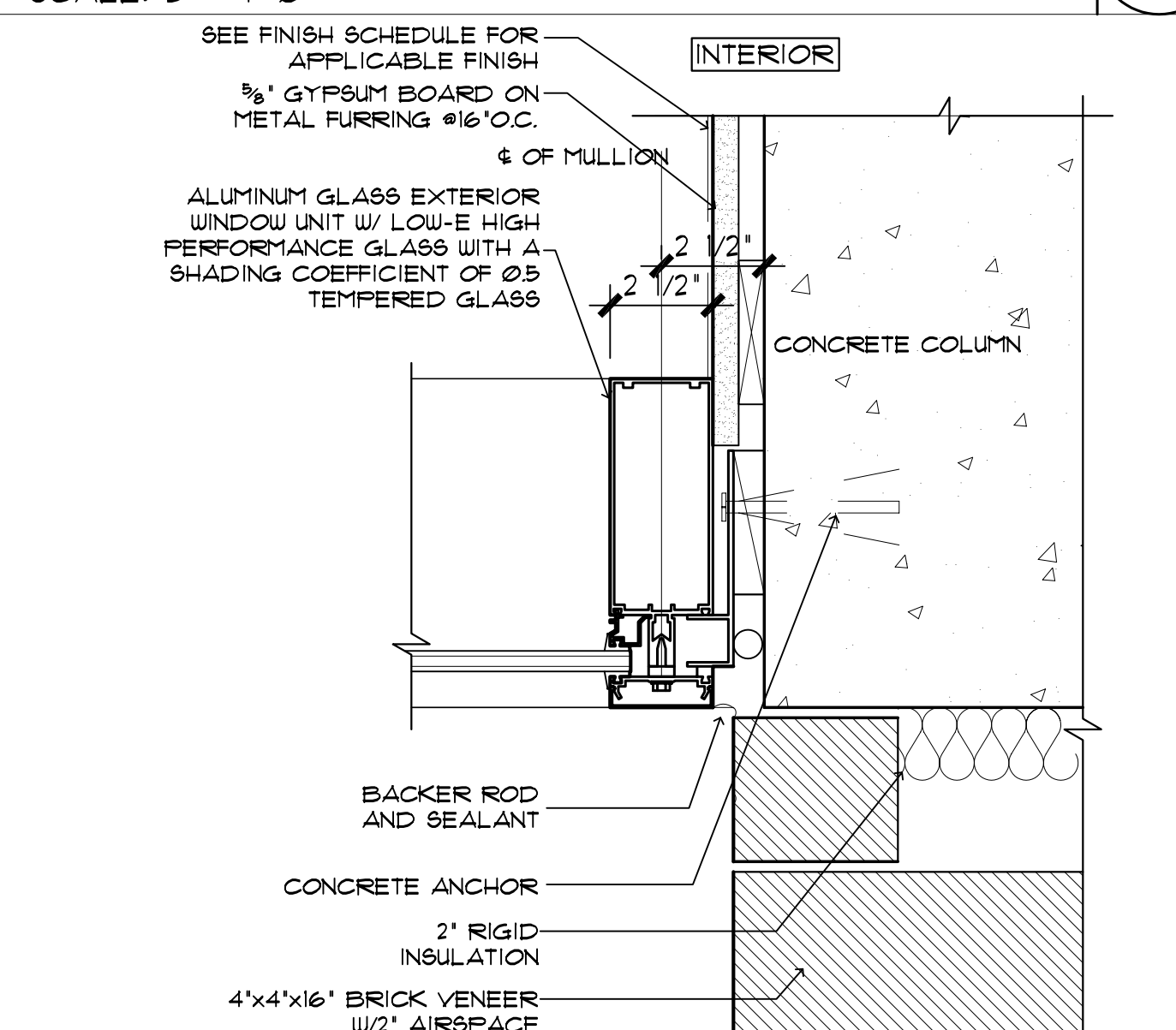
**WINDOW DETAIL**  
SCALE: 3' = 1'-0"

4  
A604R



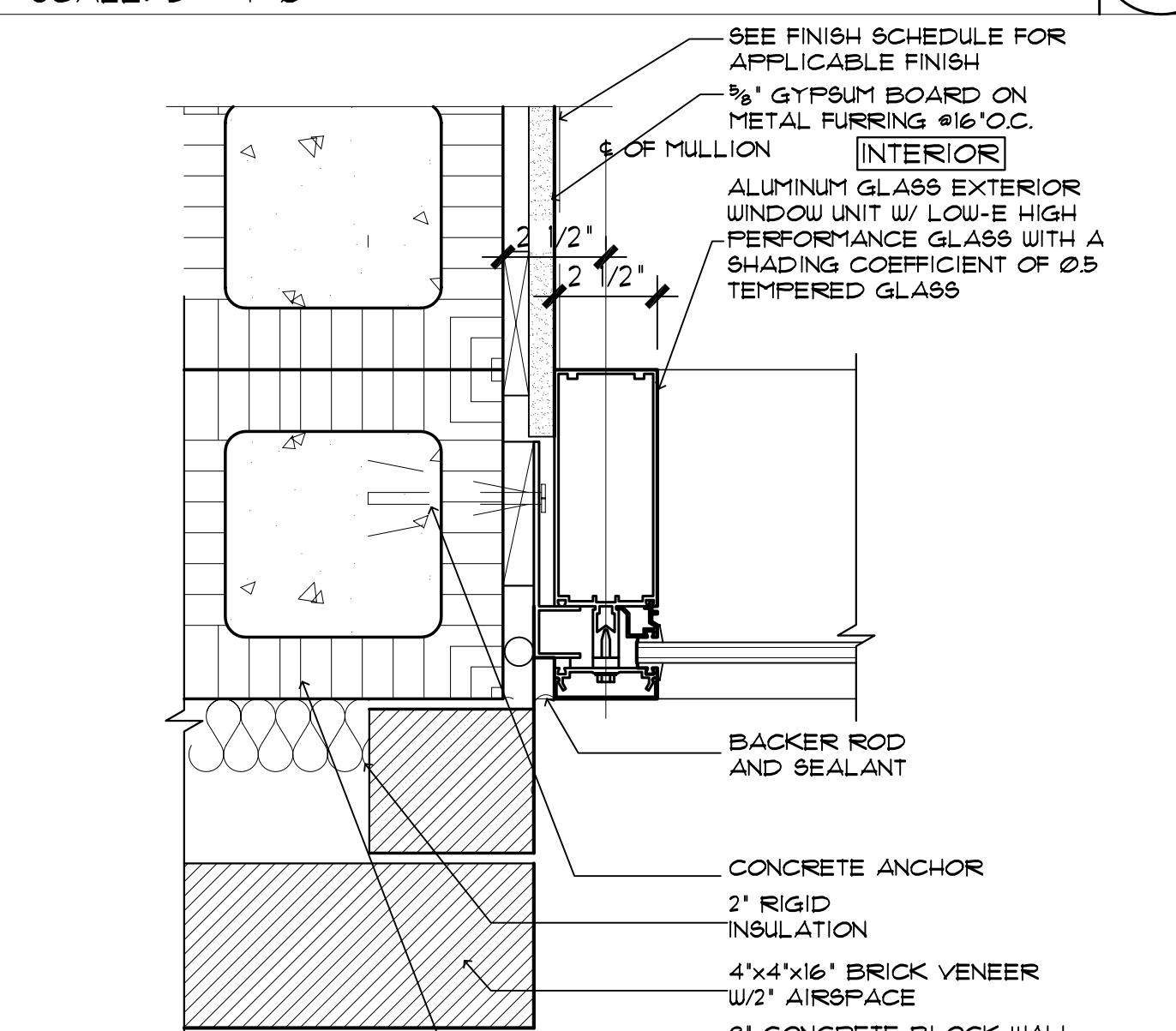
**WINDOW JAMB DETAIL**  
SCALE: 3' = 1'-0"

5  
A604R



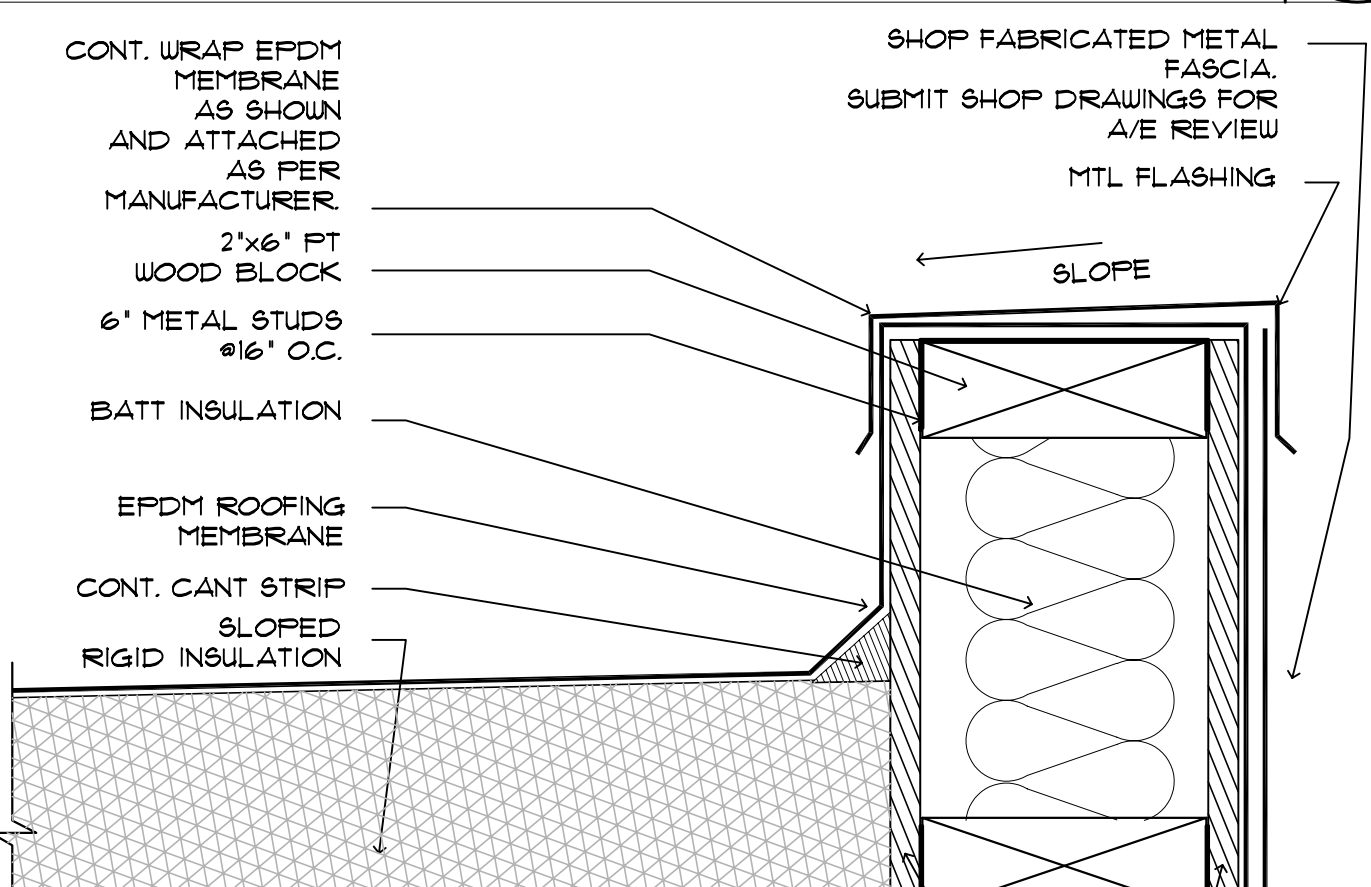
**WINDOW DETAIL**  
SCALE: 3' = 1'-0"

6  
A604R



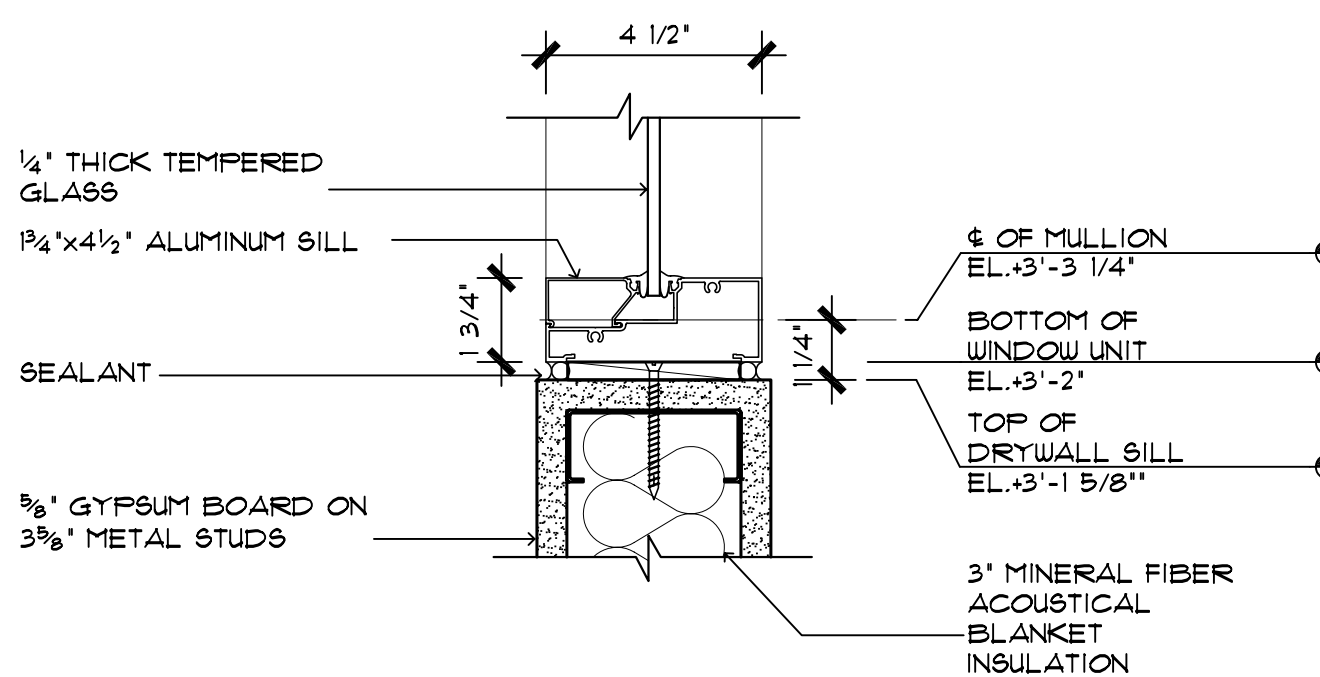
**WINDOW DETAIL**  
SCALE: 3' = 1'-0"

7  
A604R



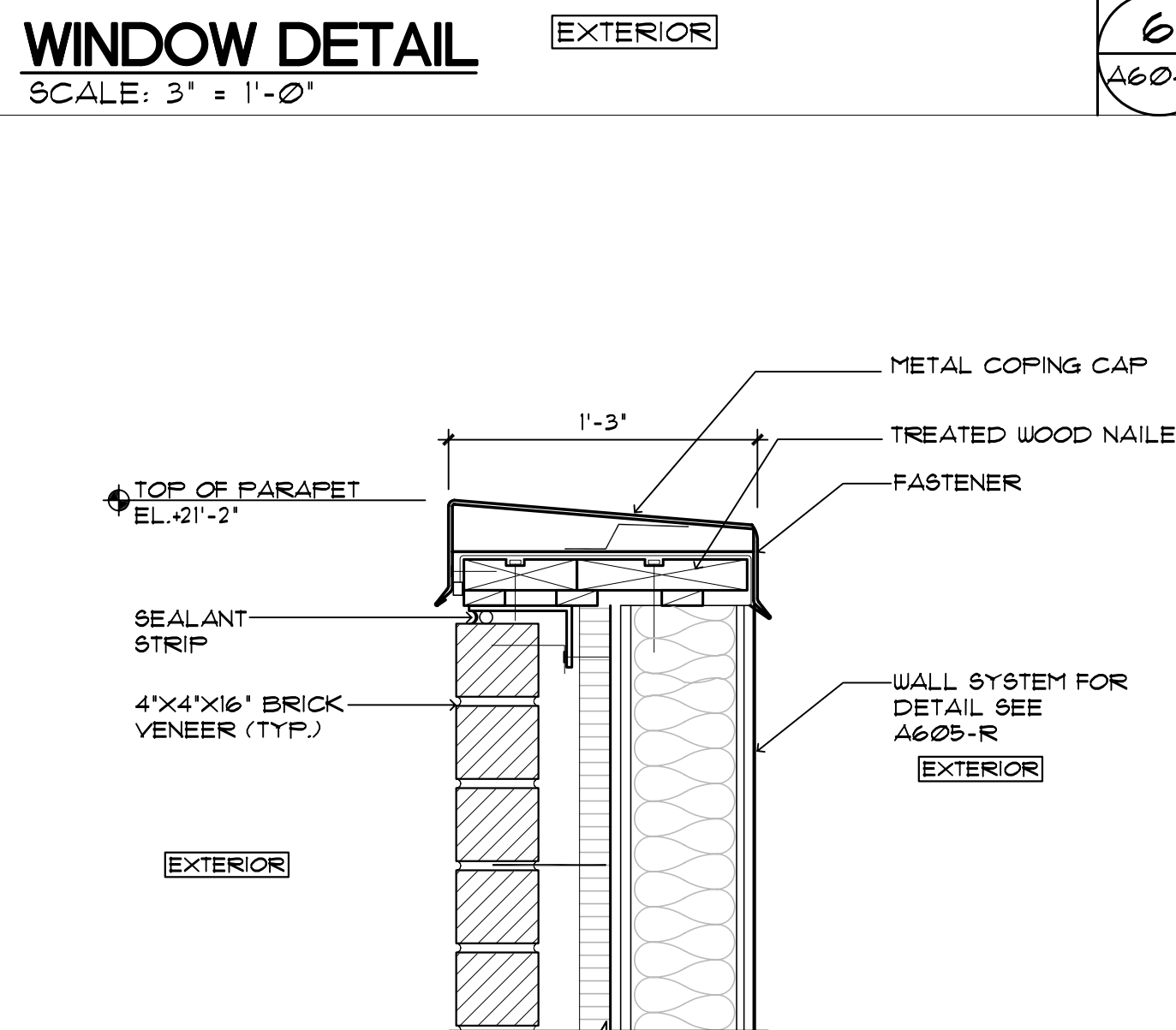
**WINDOW DETAIL**  
SCALE: 3' = 1'-0"

8  
A604R



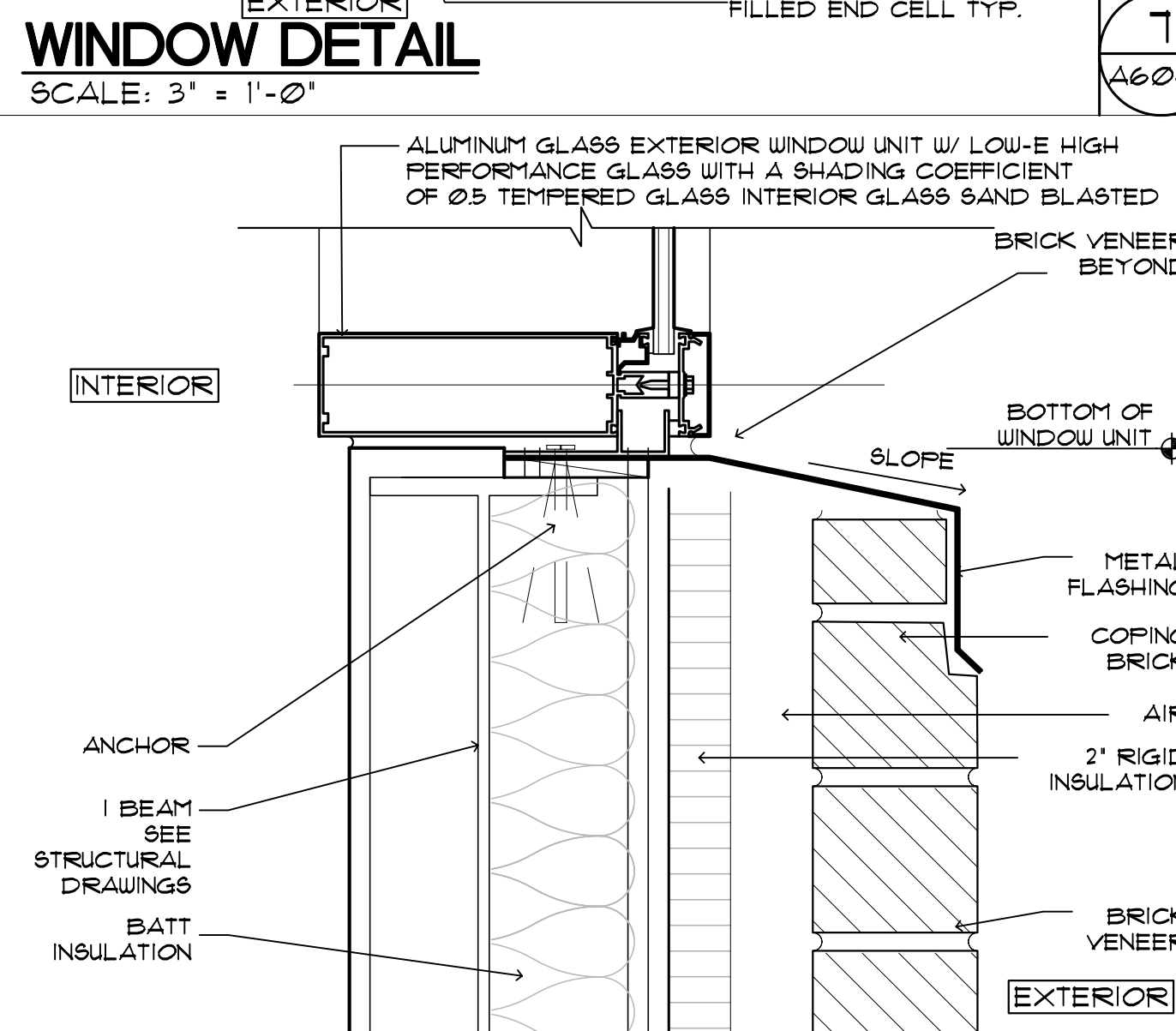
**WINDOW SILL DETAIL**  
SCALE: 3' = 1'-0"

8  
A604R



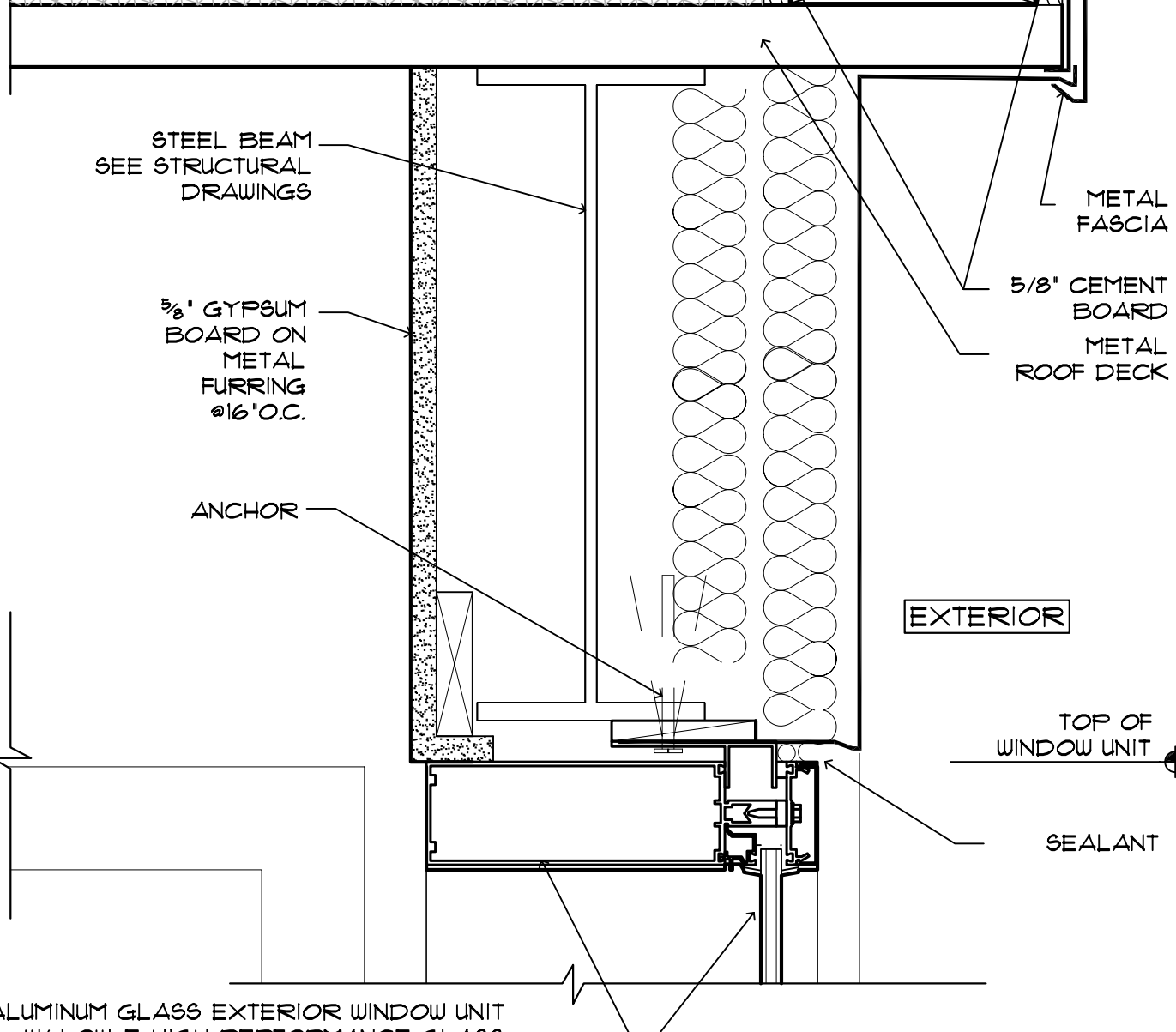
**ROOF COPING DETAIL**  
SCALE: 1-1/2' = 1'-0"

9  
A604R



**DOOR JAMB DETAIL**  
SCALE: 3' = 1'-0"

10  
A604R

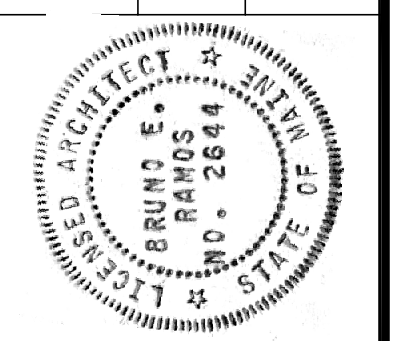


**WINDOW AND PARAPET DETAIL**  
SCALE: 3' = 1'-0"

11  
A604R

**BEA**  
IN ASSOCIATION WITH:  
CORRILL-PALMER CONSULTING ENGINEERS  
PERATROVICH, NOTTINGHAM, & DRAGE  
WINTON SCOTT ARCHITECTS  
PAULEY & ALDRICH

STATE OF MAINE  
DEPARTMENT OF TRANSPORTATION  
PROJECT NUMBER 009215.00  
PIN 009215.00



SIGNATURE  
P. LICENCE NUMBER  
DATE 10/8/2004

PROJ. MANAGER	PAUL POTLITZ	DATE	10/8/2004
DESIGN-DETAILED			
CHECKED-REVIEWED			
DESIGN2-DETAILED2			
DESIGN3-DETAILED3			
REVISIONS 1	VABER/SHESSAN/CHANGE 14/27/05		
REVISIONS 2	VABER-VE-CODE CHANGES 12/23/05		
REVISIONS 3			
REVISIONS 4			
FIELD CHANGES			

CITY OF PORTLAND  
OCEAN GATEWAY PHASE 1  
DETAILS

A604-R