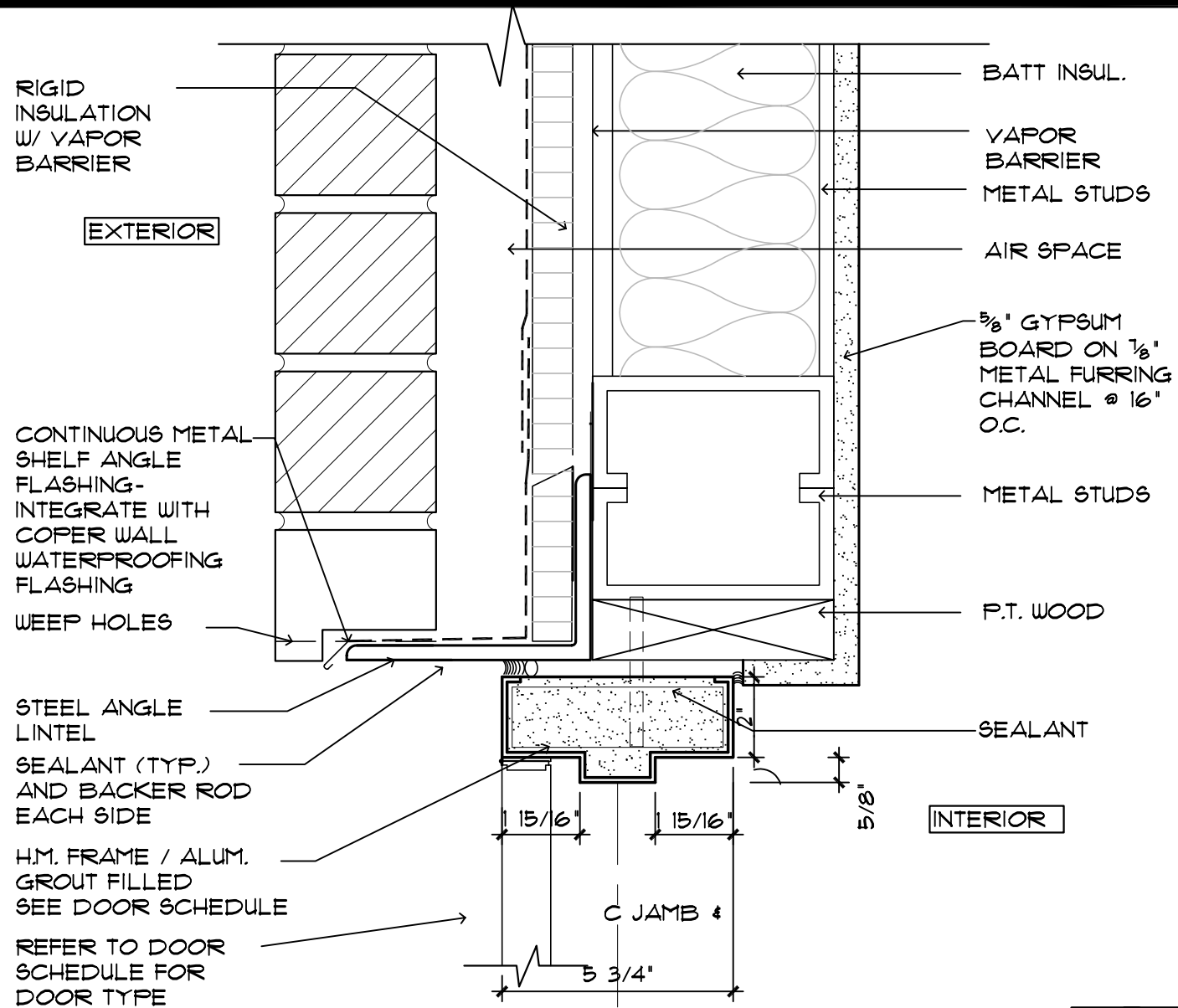
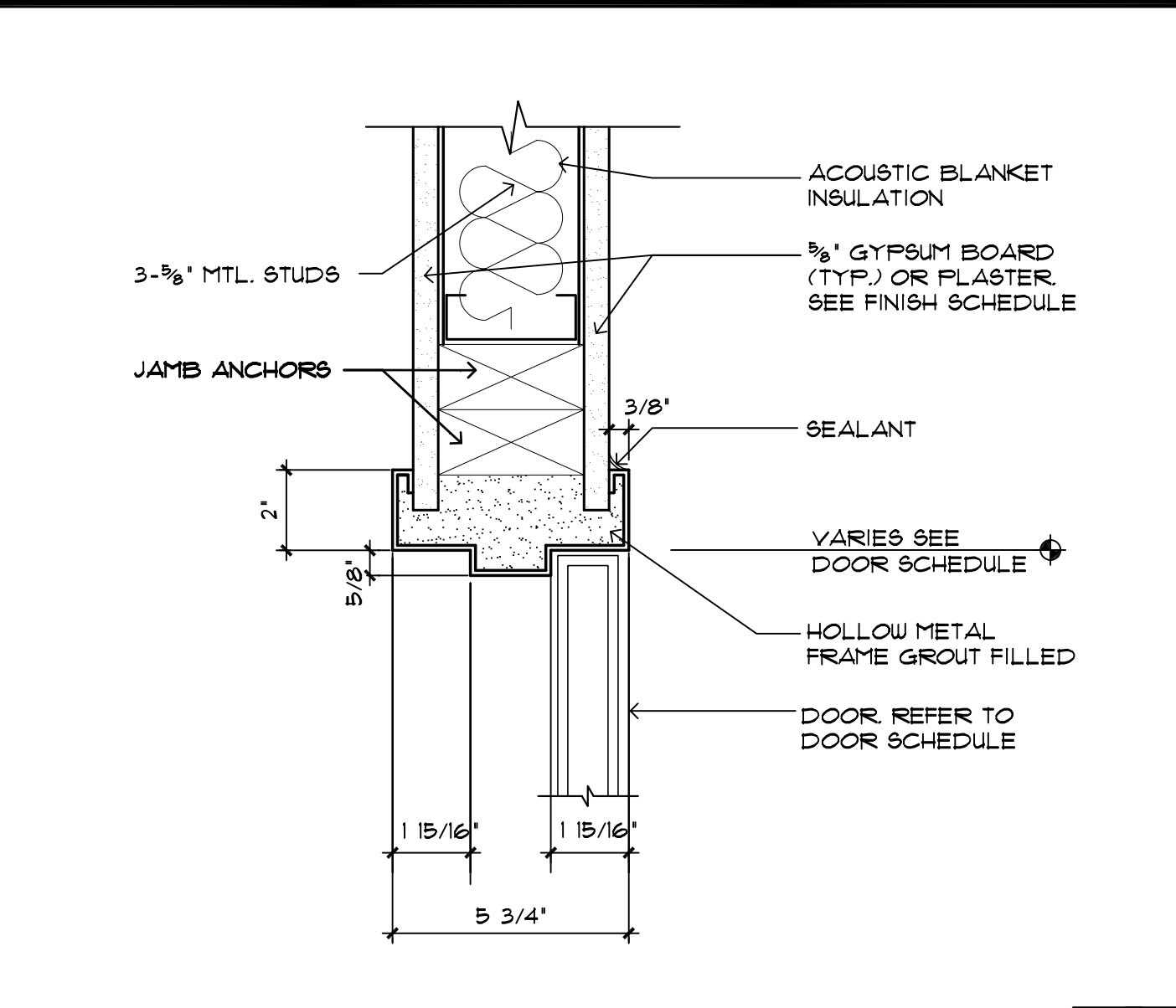


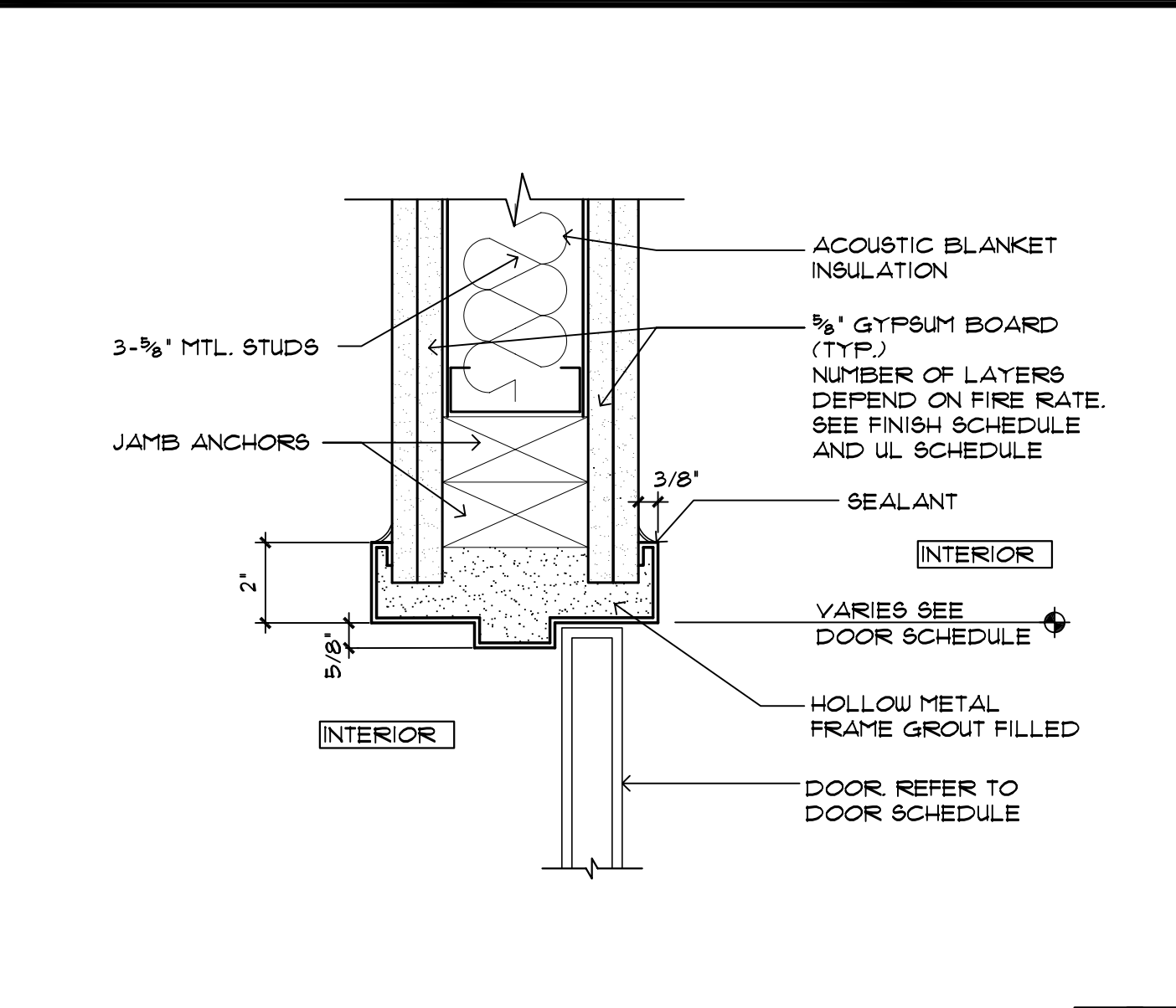
Filename: P:\02-0818 Maine Int Ferry Terminal\WORKING DRAWINGS\ARCHITECTURE\RECEIVING STATION\20343802-R-A603.dwg, Dec 22, 2005 - 1:57pm



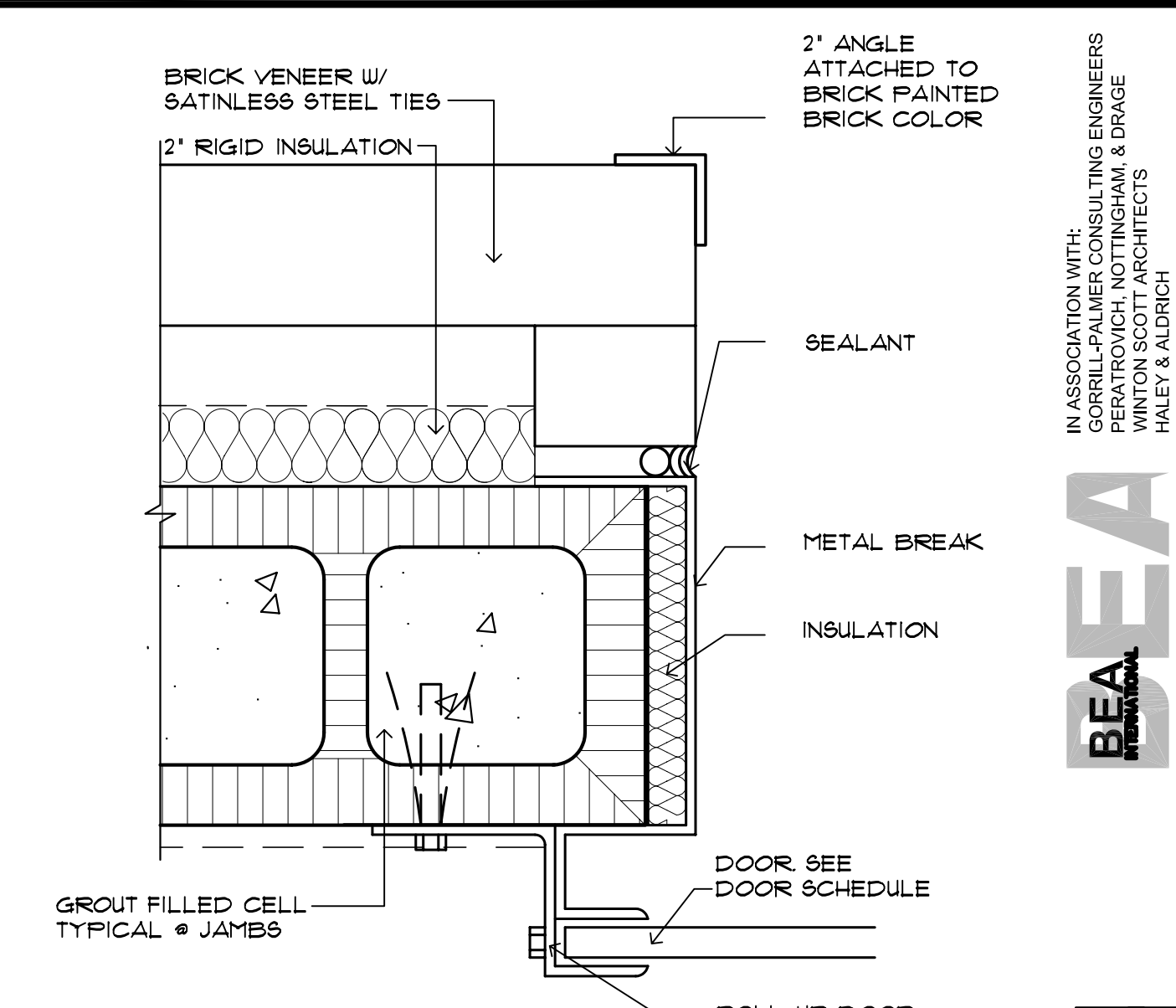
**DOOR HEADER DETAIL**  
SCALE: 3" = 1'-0"



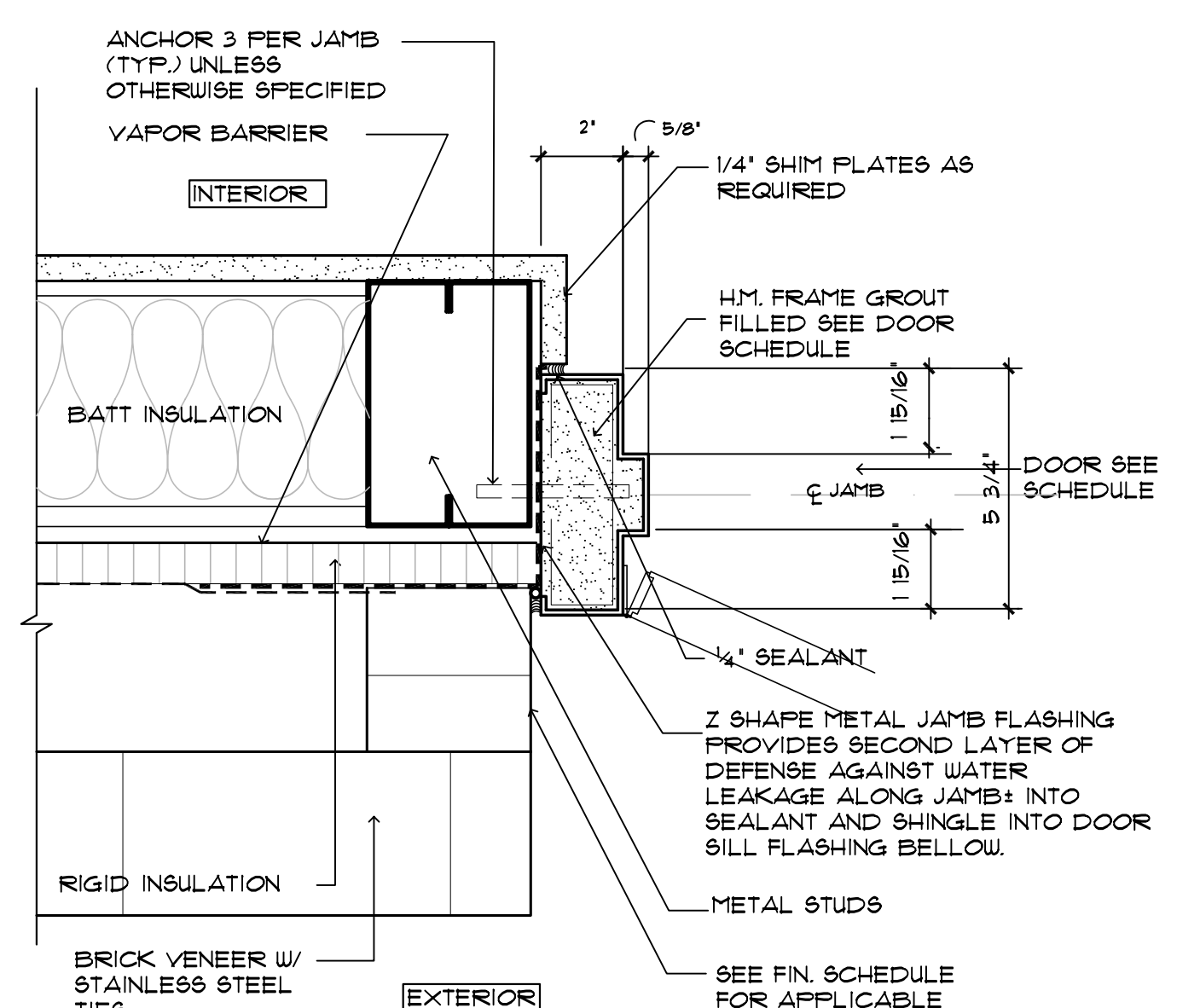
**DOOR HEADER DETAIL**  
SCALE: 3" = 1'-0"



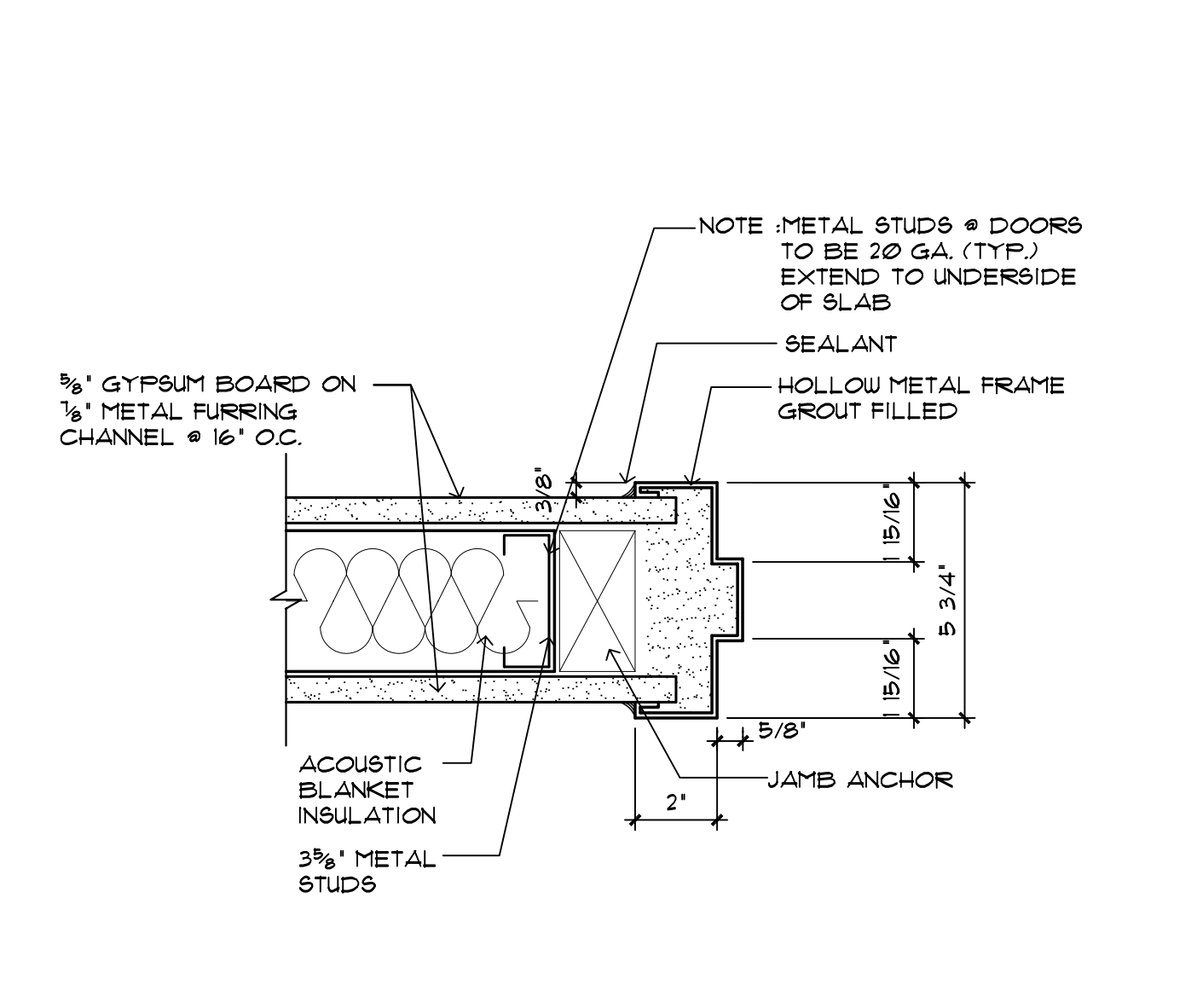
**DOOR HEADER DETAIL**  
SCALE: 3" = 1'-0"



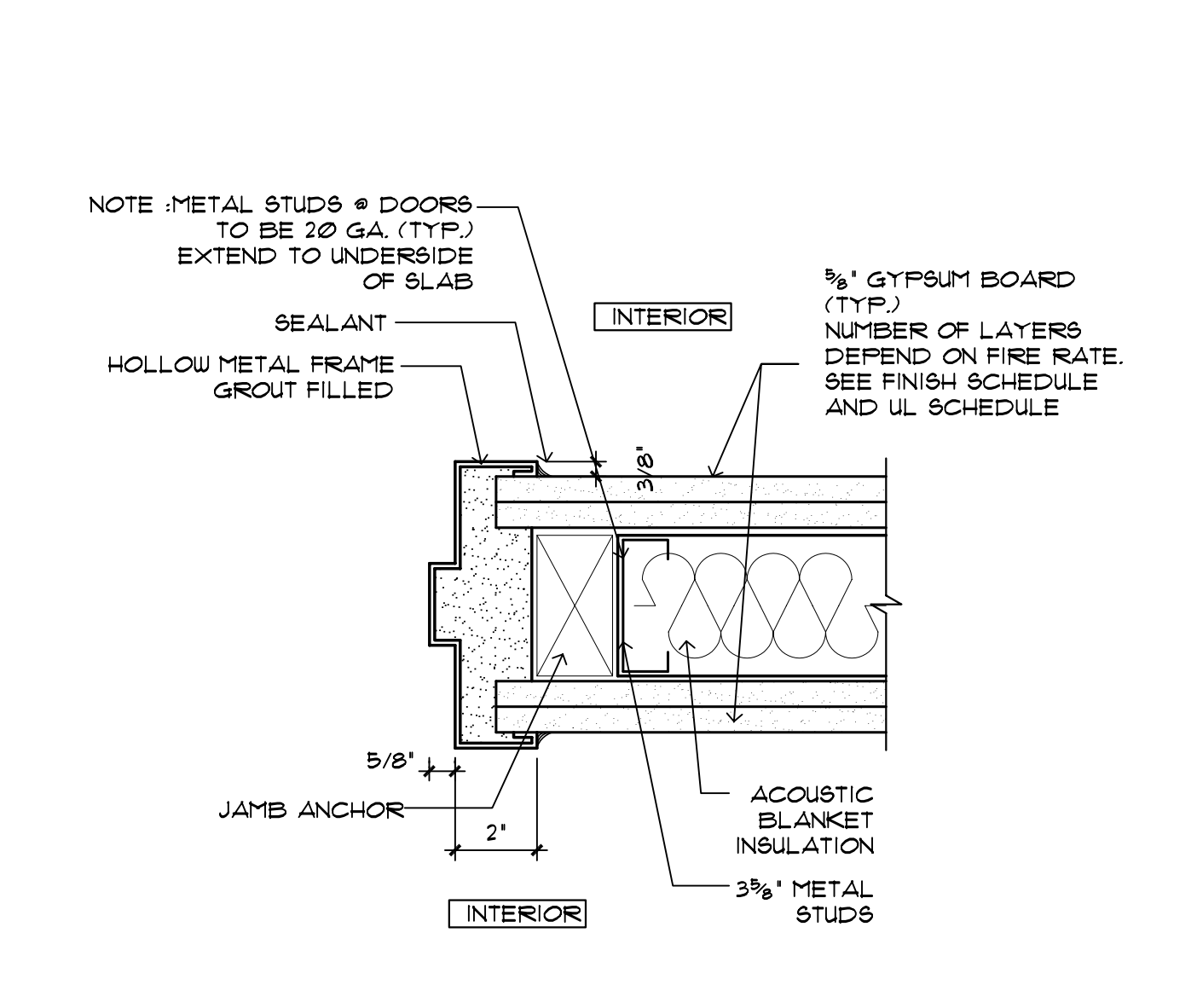
**DOOR JAMB DETAIL**  
SCALE: 3" = 1'-0"



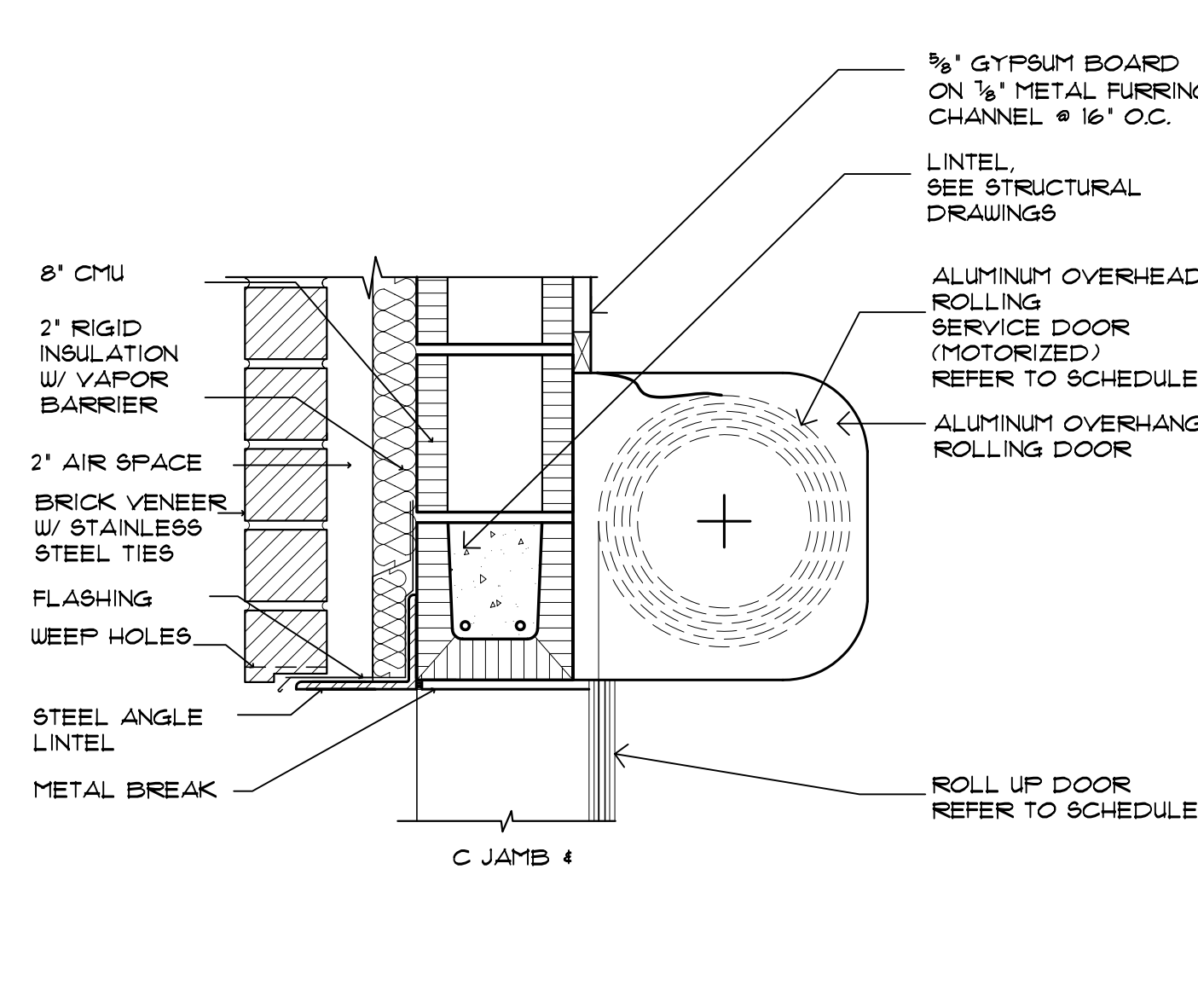
**DOOR JAMB DETAIL**  
SCALE: 3" = 1'-0"



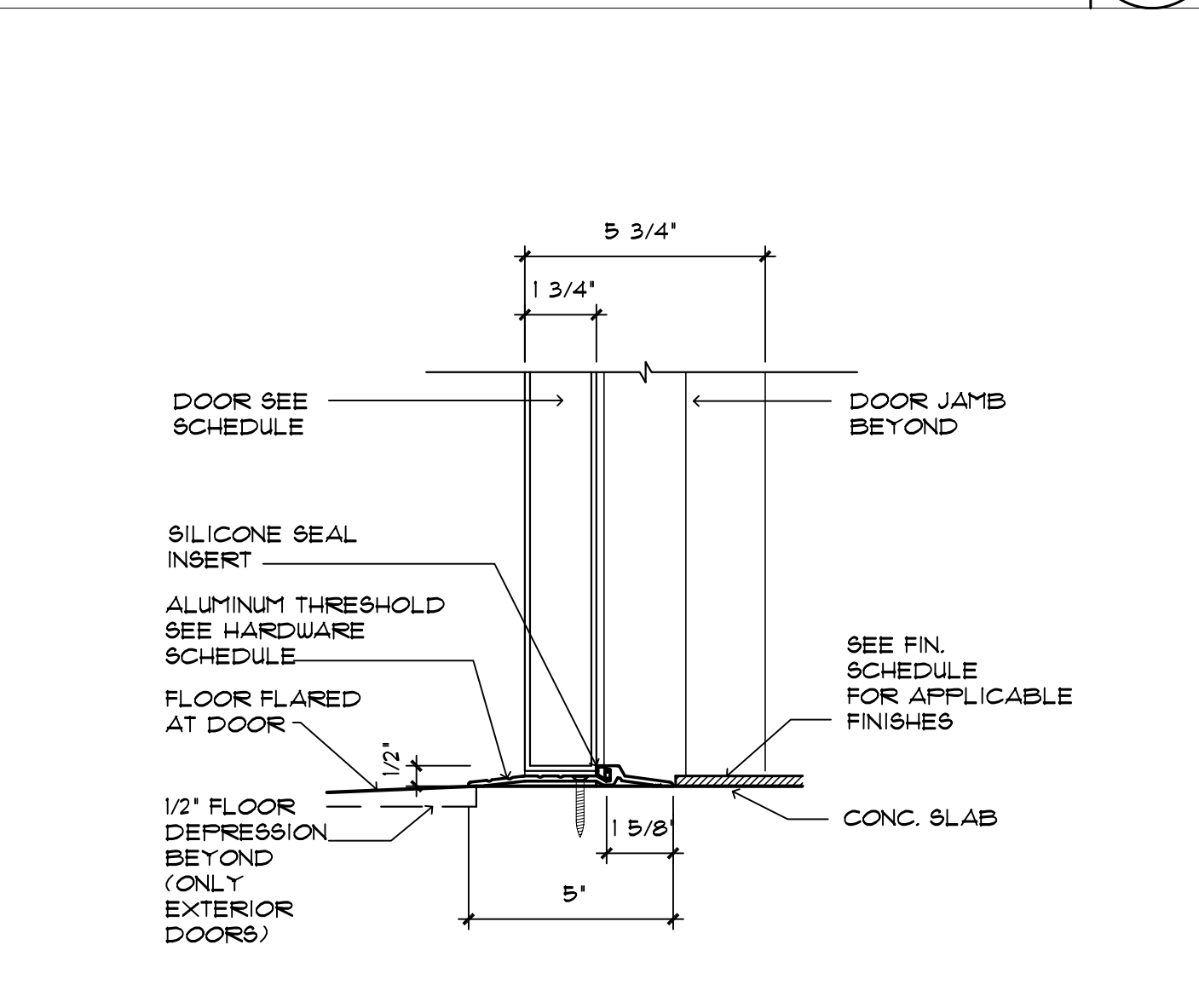
**DOOR JAMB DETAIL**  
SCALE: 3" = 1'-0"



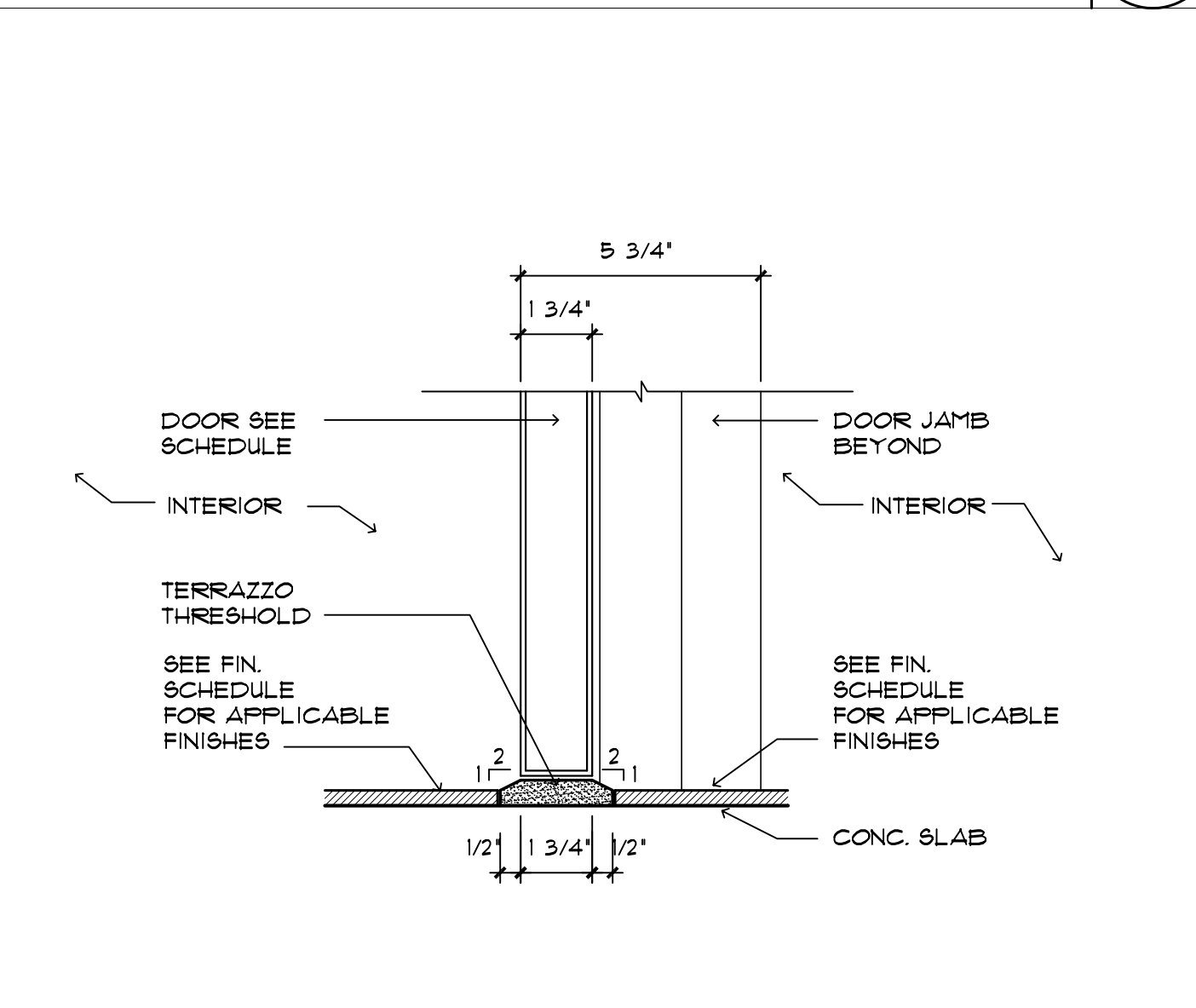
**DOOR JAMB DETAIL**  
SCALE: 3" = 1'-0"



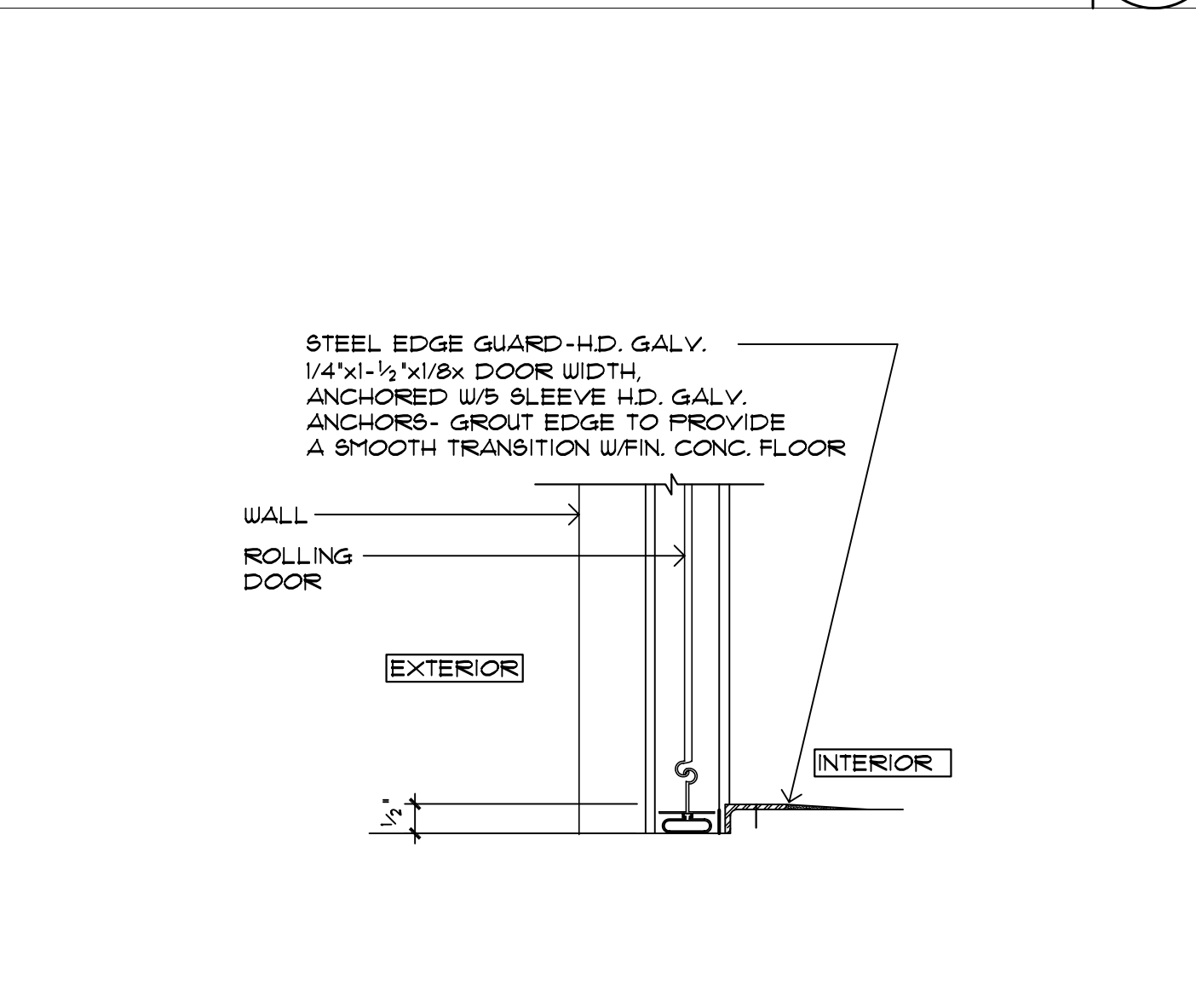
**DOOR HEADER DETAIL**  
SCALE: 1 1/2" = 1'-0"



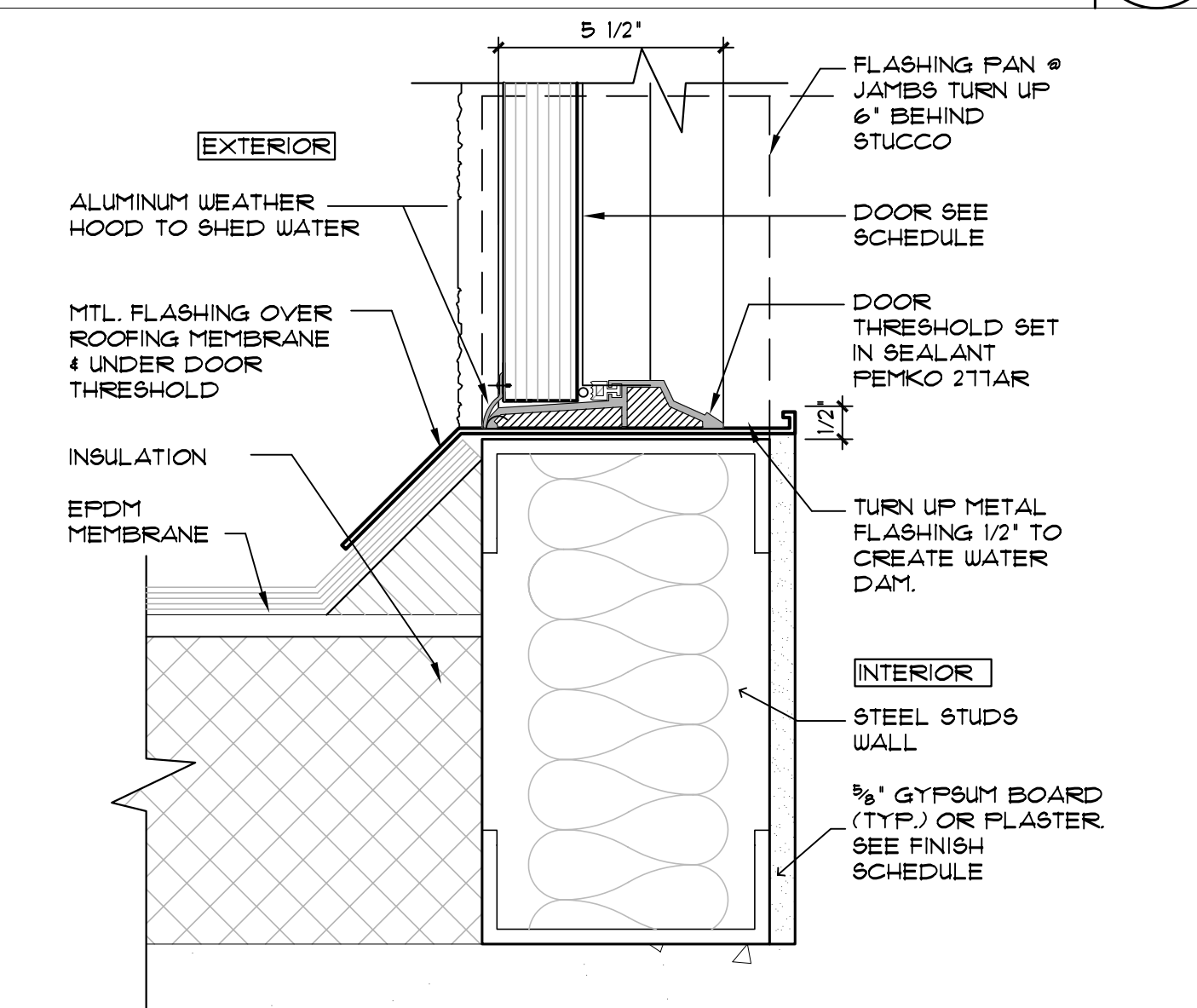
**DOOR SILL DETAIL**  
SCALE: 3" = 1'-0"



**DOOR SILL DETAIL**  
SCALE: 3" = 1'-0"



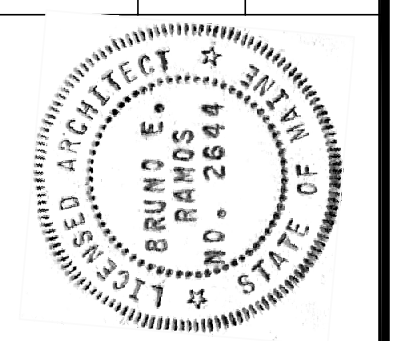
**DOOR SILL DETAIL**  
SCALE: 3" = 1'-0"



**DOOR SILL DETAIL**  
SCALE: 3" = 1'-0"

BEA ENGINEERS  
IN ASSOCIATION WITH:  
GORRILL-PALMER CONSULTING ENGINEERS  
PERATROVICH, NOTTINGHAM, & DRAGE  
WINTON SCOTT ARCHITECTS  
PAULEY & ALDRICH

STATE OF MAINE  
DEPARTMENT OF TRANSPORTATION  
PROJECT NUMBER 009215.00  
PIN  
009215.00



PROJ. MANAGER	PAUL POTTLE	DATE	12/23/05
DESIGN-DETAILED		BY	
CHECKED-REVIEWED			
DESIGN2-DETAILED2			
DESIGN3-DETAILED3			
REVISIONS 1	VAAP 22 DESIGN CHANGE 10/15/05	P. LICENSE NUMBER	
REVISIONS 2	VAAP-VE-CODE CHANGES 12/23/05	DATE	12/23/05
REVISIONS 3			
REVISIONS 5			
FIELD CHANGES			

CITY OF PORTLAND  
OCEAN GATEWAY PHASE 1  
DOOR DETAILS  
A603-R  
200 OF 288