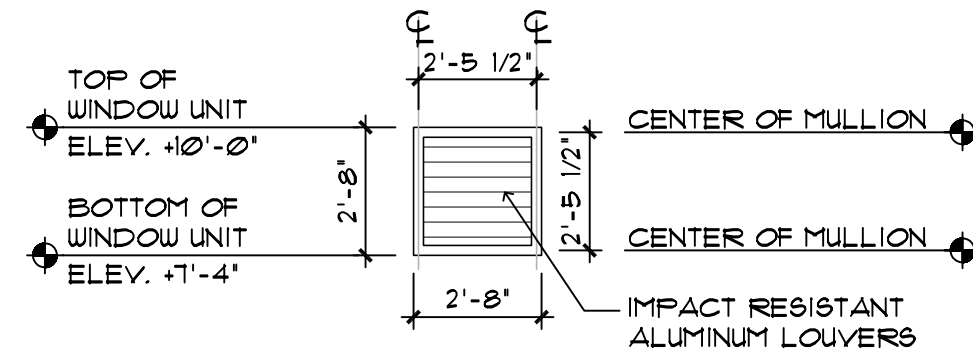
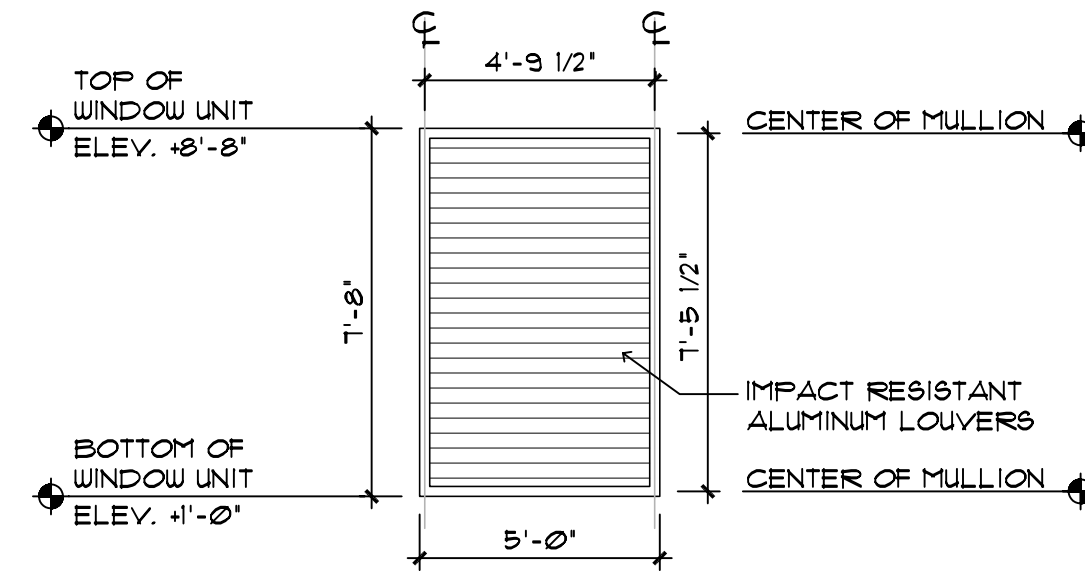


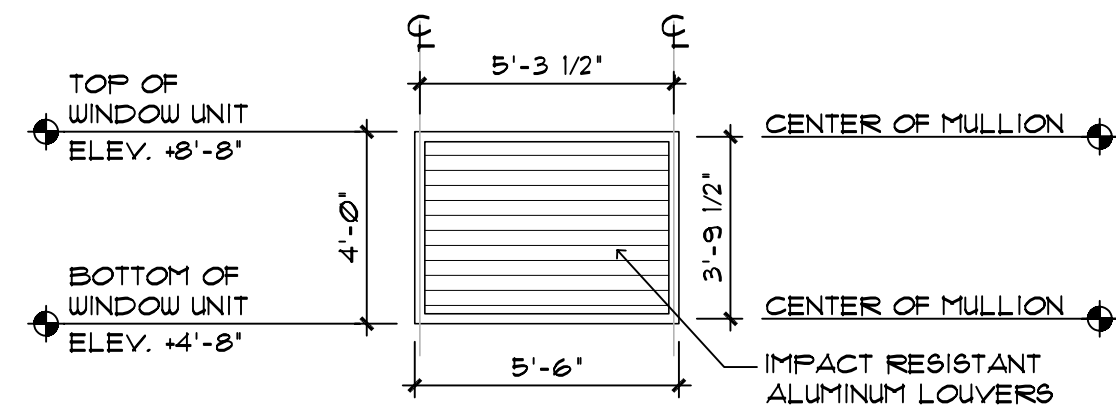
INTERIOR WINDOW UNIT TYPE 'E'
SCALE: 1/4" = 1'-0"
TOTAL OF 2



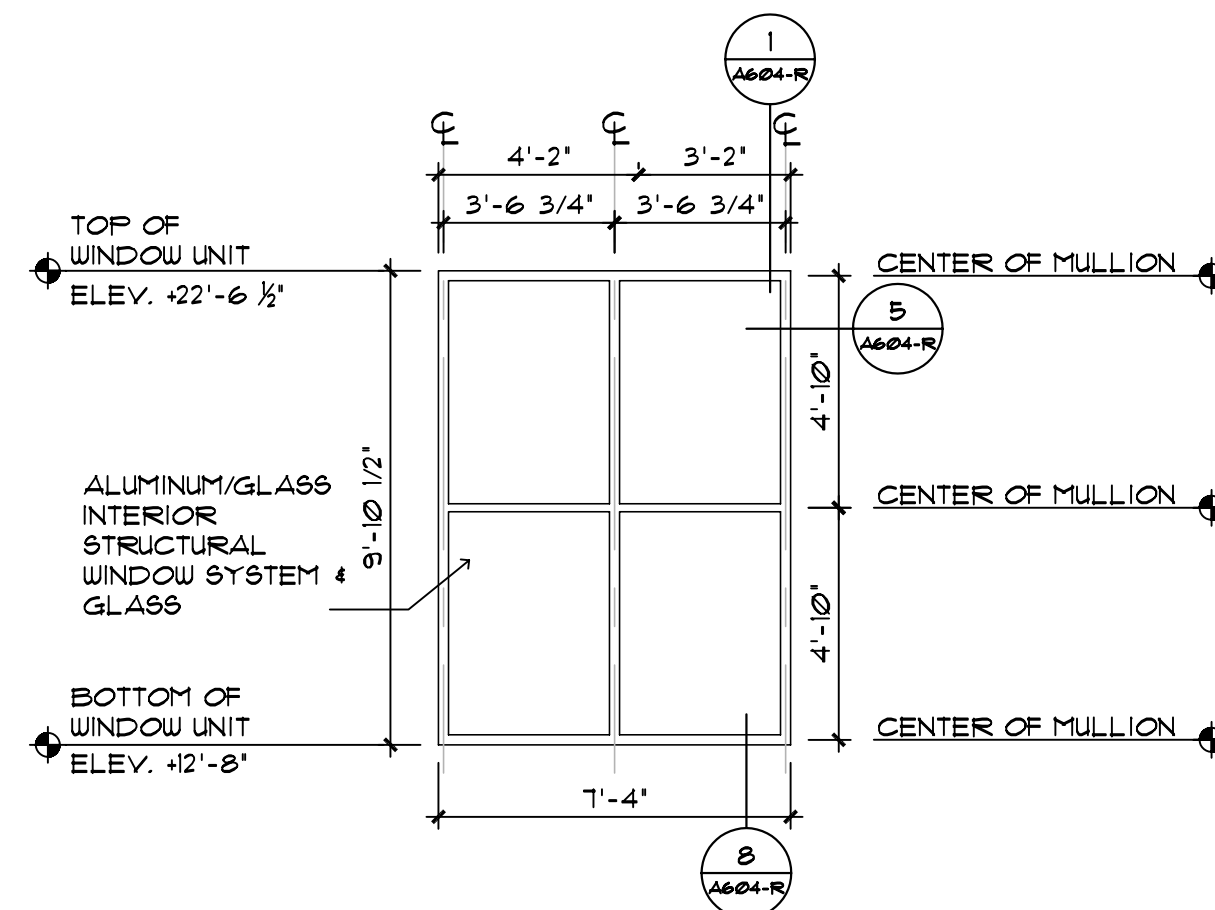
LOUVER UNIT TYPE 'F'
SCALE: 1/4" = 1'-0"
TOTAL OF 2



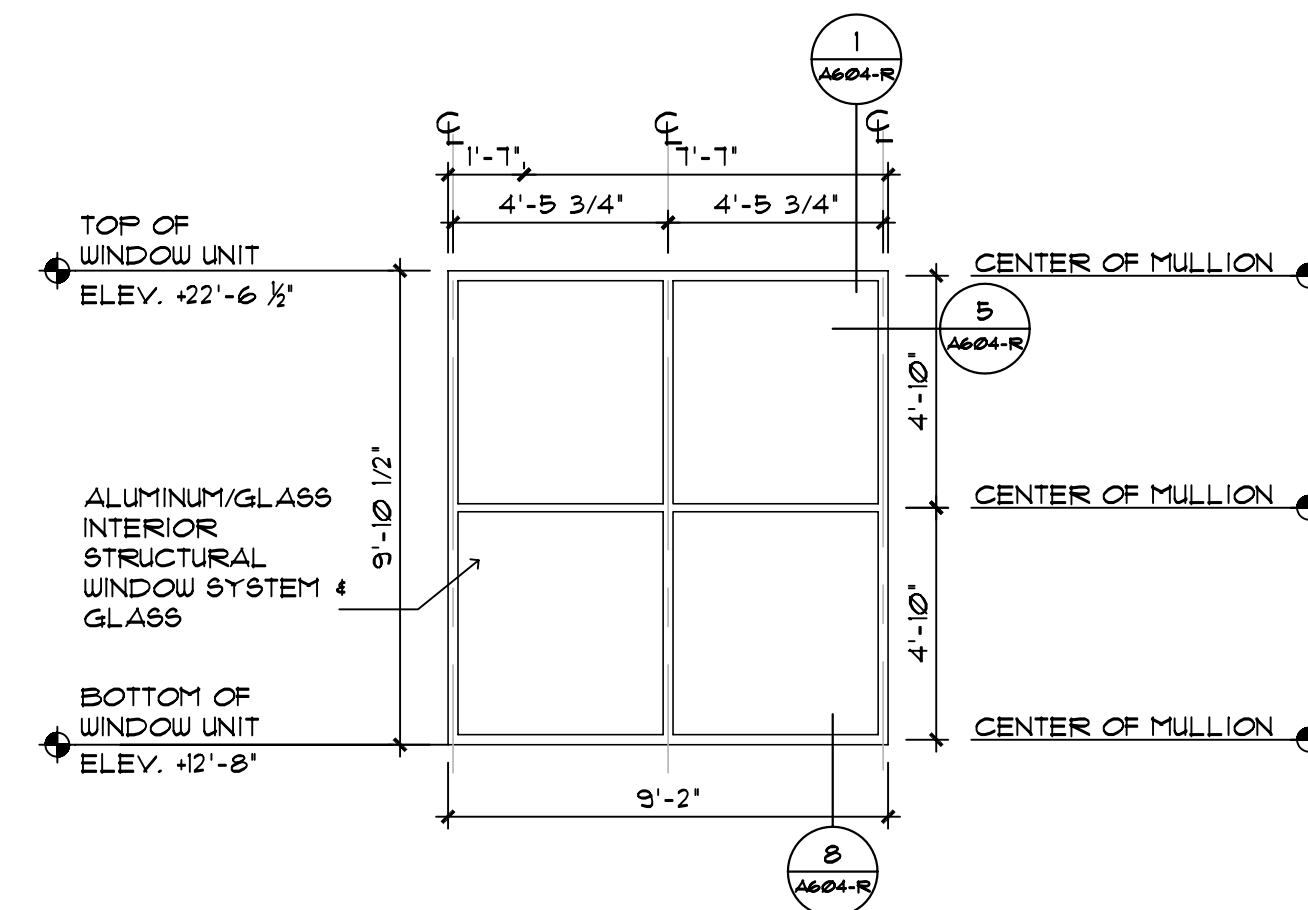
LOUVER UNIT TYPE 'G'
SCALE: 1/4" = 1'-0"
TOTAL OF 1



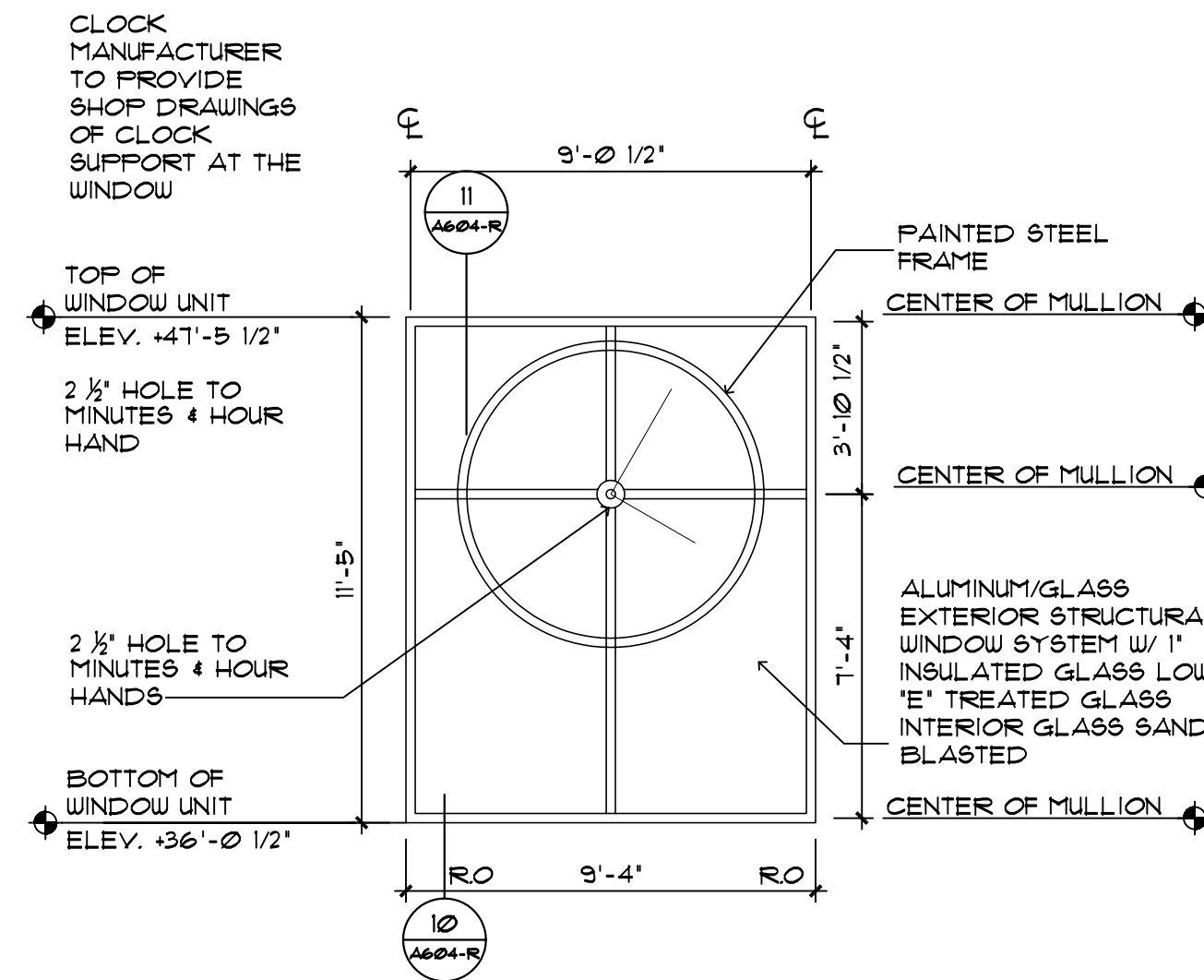
LOUVER UNIT TYPE 'H'
SCALE: 1/4" = 1'-0"
TOTAL OF 1



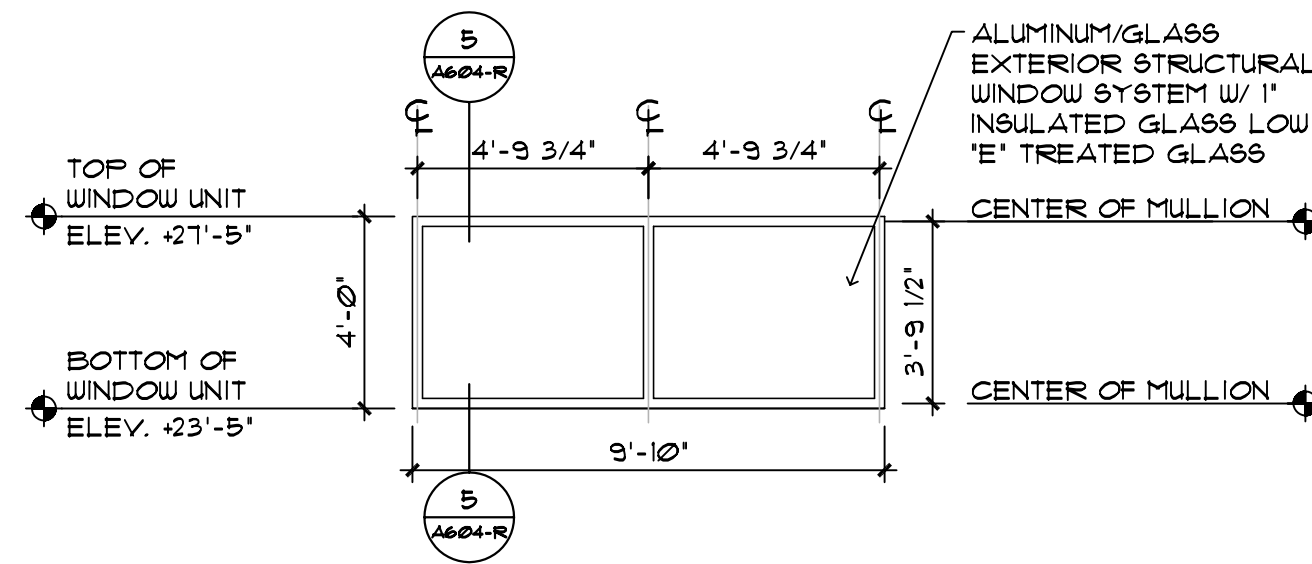
INTERIOR WINDOW UNIT TYPE 'I'
SCALE: 1/4" = 1'-0"
TOTAL OF 1



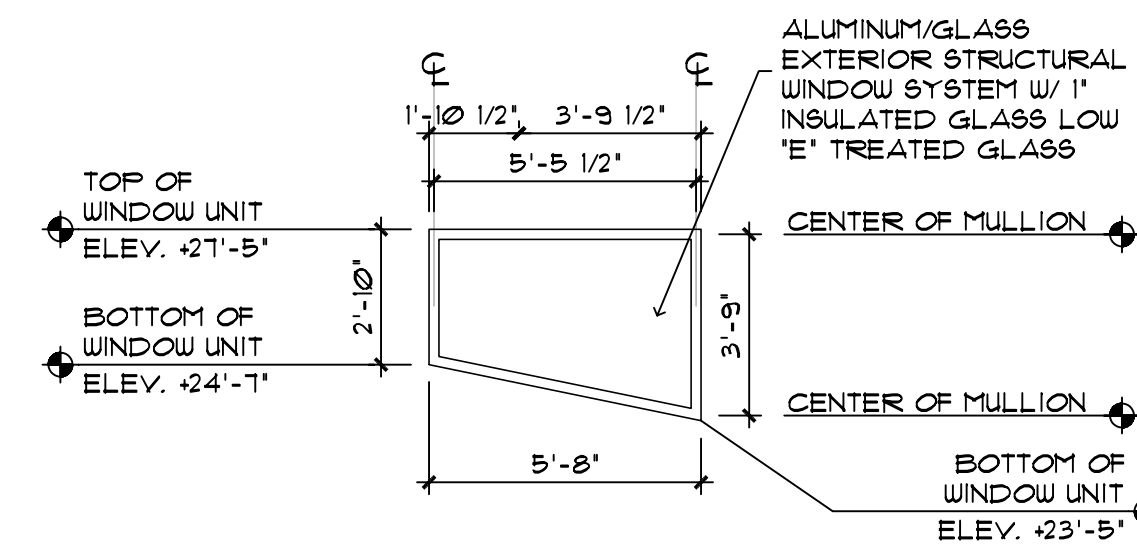
INTERIOR WINDOW UNIT TYPE 'J'
SCALE: 1/4" = 1'-0"
TOTAL OF 1



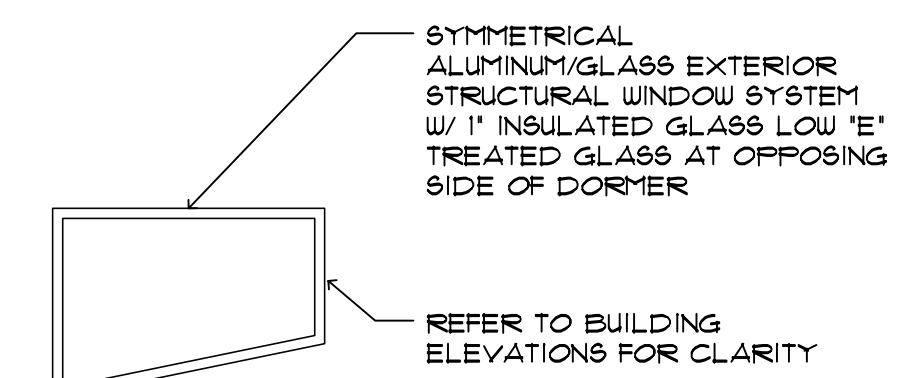
WINDOW UNIT TYPE 'K'
SCALE: 1/4" = 1'-0"
TOTAL OF 4



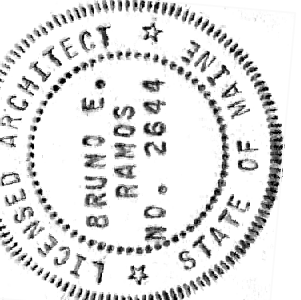
WINDOW UNIT TYPE 'L'
SCALE: 1/4" = 1'-0"
TOTAL OF 3



WINDOW UNIT TYPE 'M'
SCALE: 1/4" = 1'-0"
TOTAL OF 1



TOTAL OF 1



SIGNATURE
P. LICENCE NUMBER
DATE 12/23/05

PROJ. MANAGER	PAUL POTLITZ	DATE	BY
DESIGN-DETAILED			
CHECKED-REVIEWED			
DESIGN2-DETAILED2			
DESIGN3-DETAILED3			
REVISIONS 1	VAAP 22 DESIGN CHANGE 10/15/05		
REVISIONS 2	VAAP-VE-CODE CHANGES 12/23/05		
REVISIONS 3			
REVISIONS 5			
FIELD CHANGES			