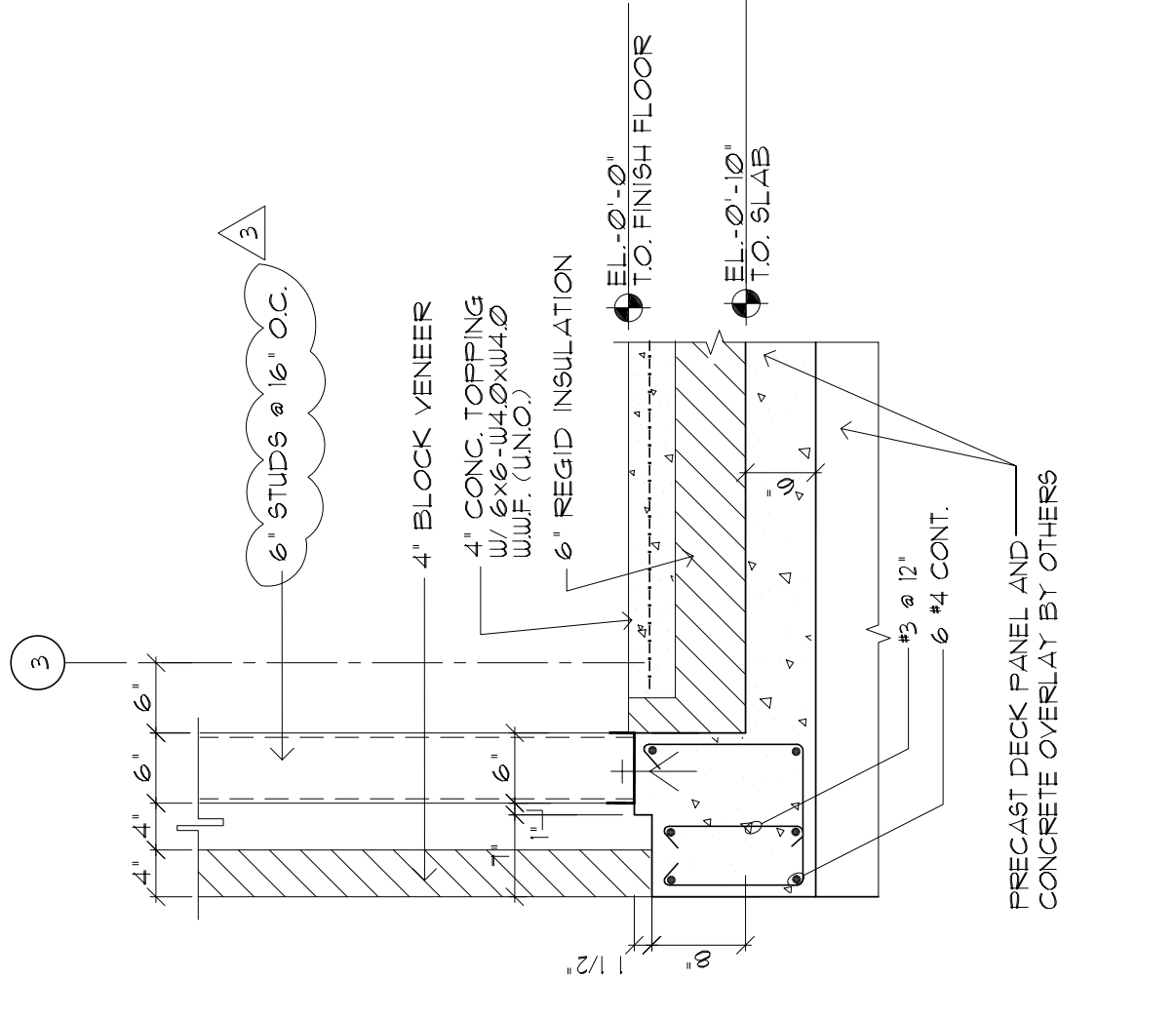
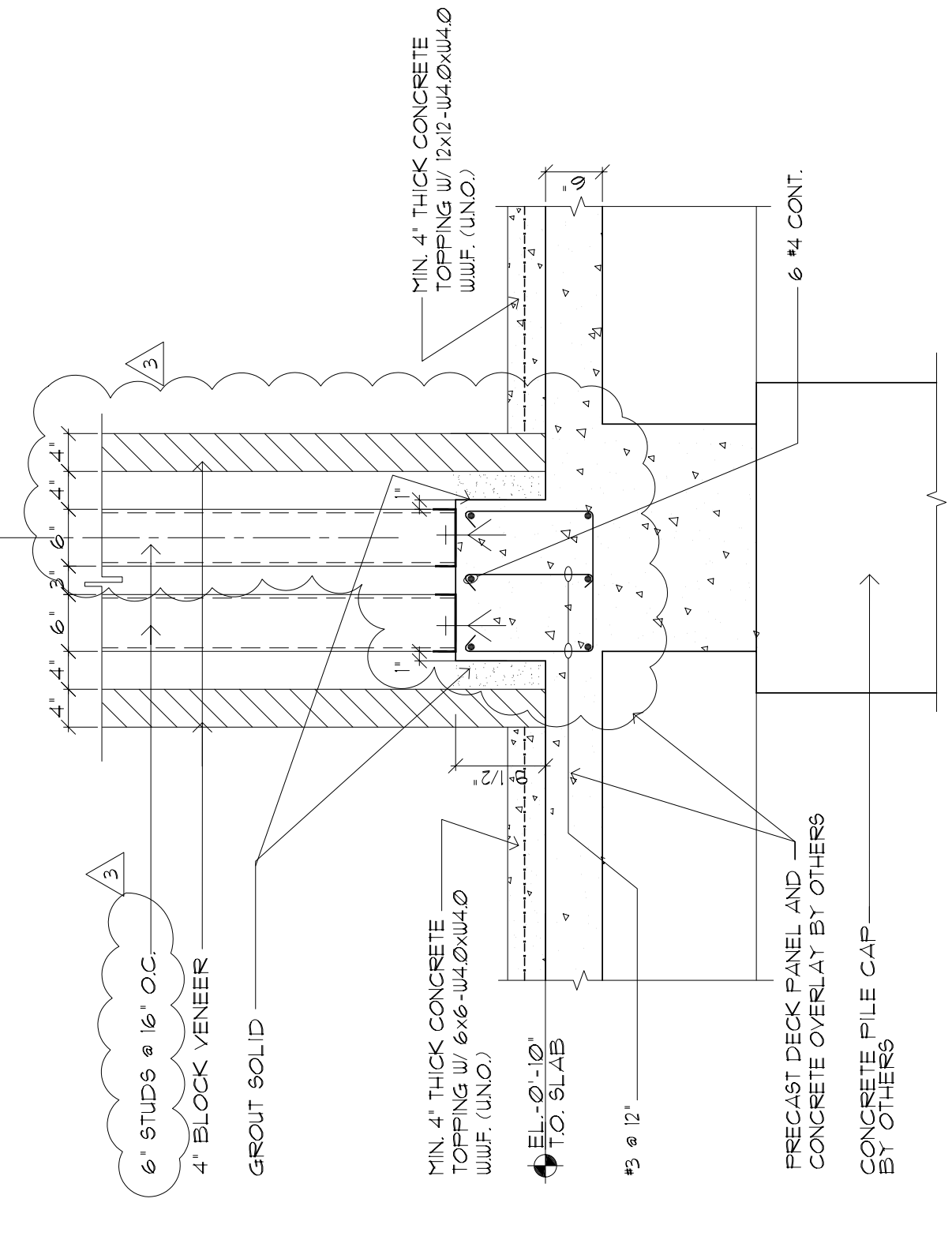


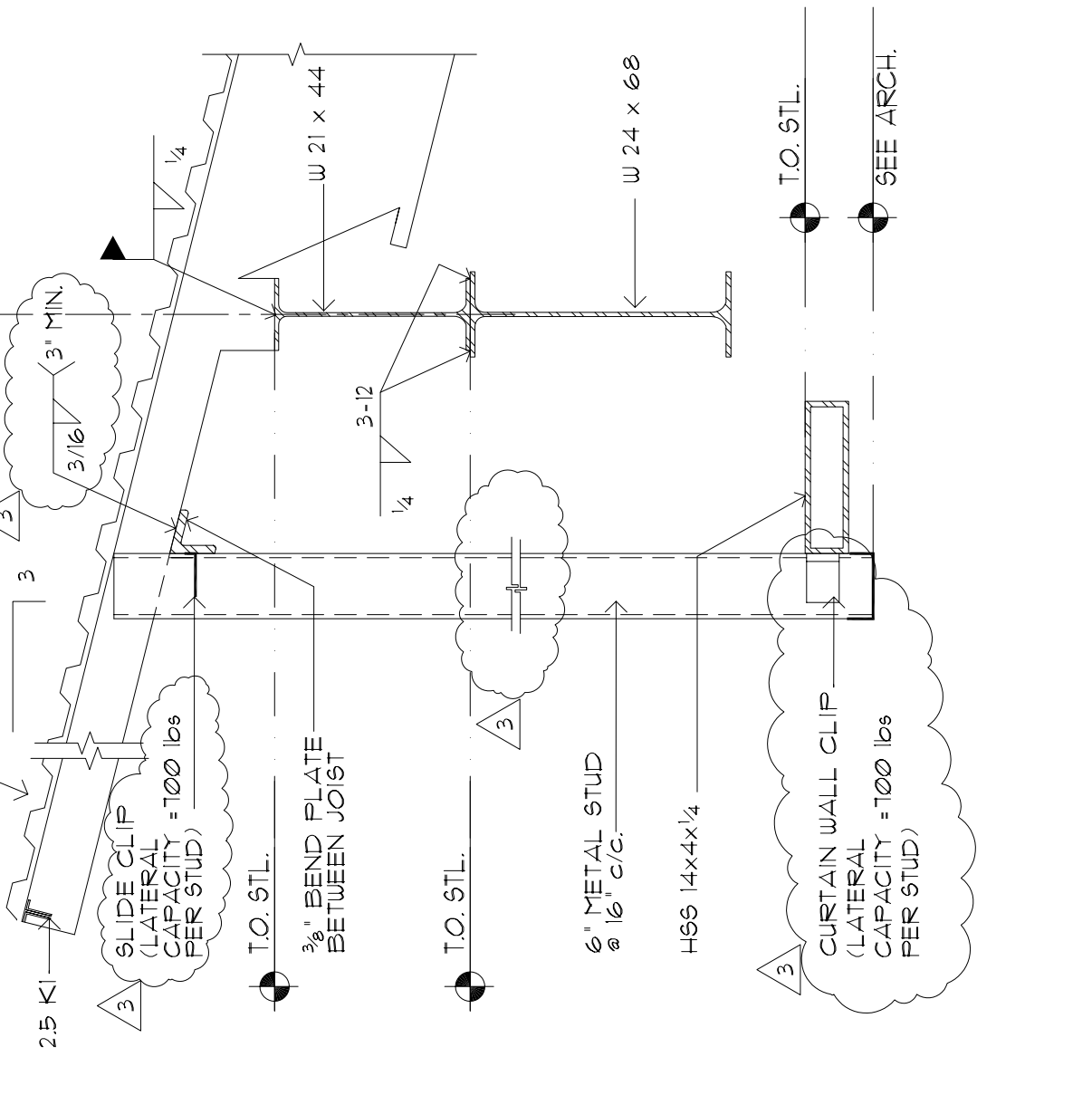
PLAN VIEW A-A
SCALE: 1/2"=1'-0"



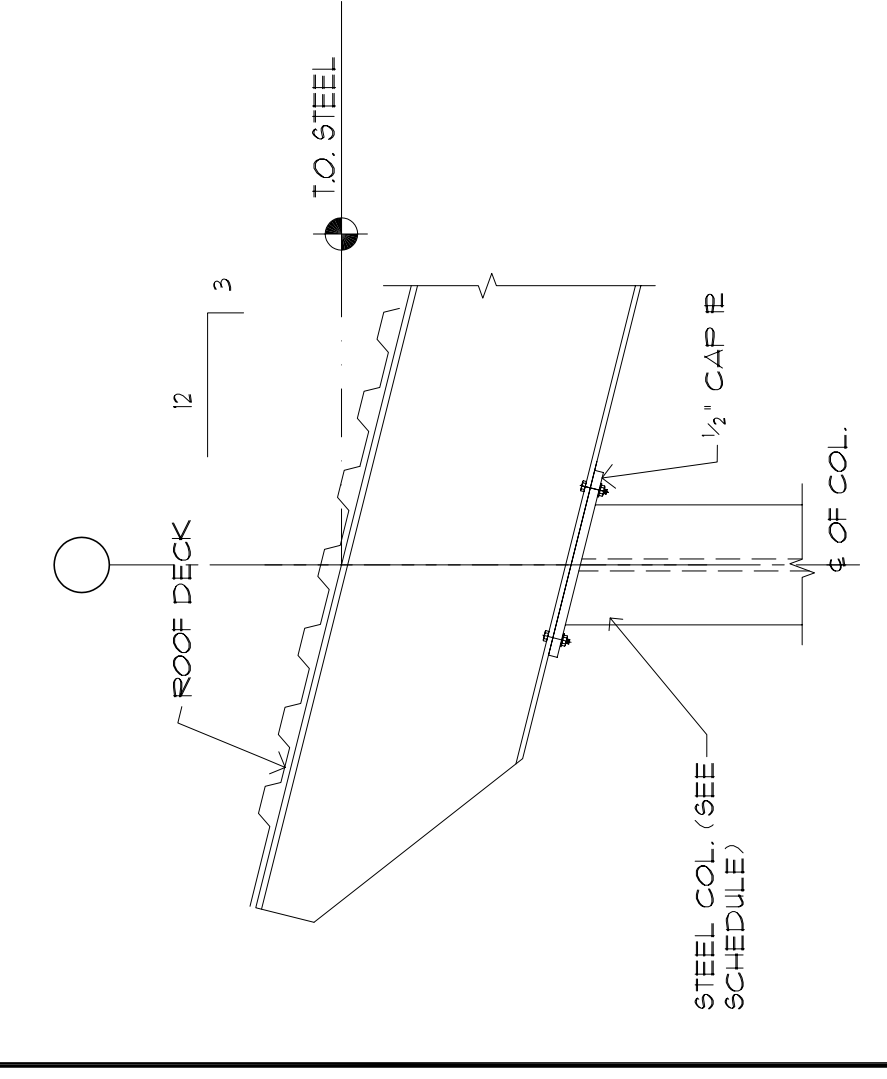
SECTION 2
SCALE: 3/4"=1'-0"



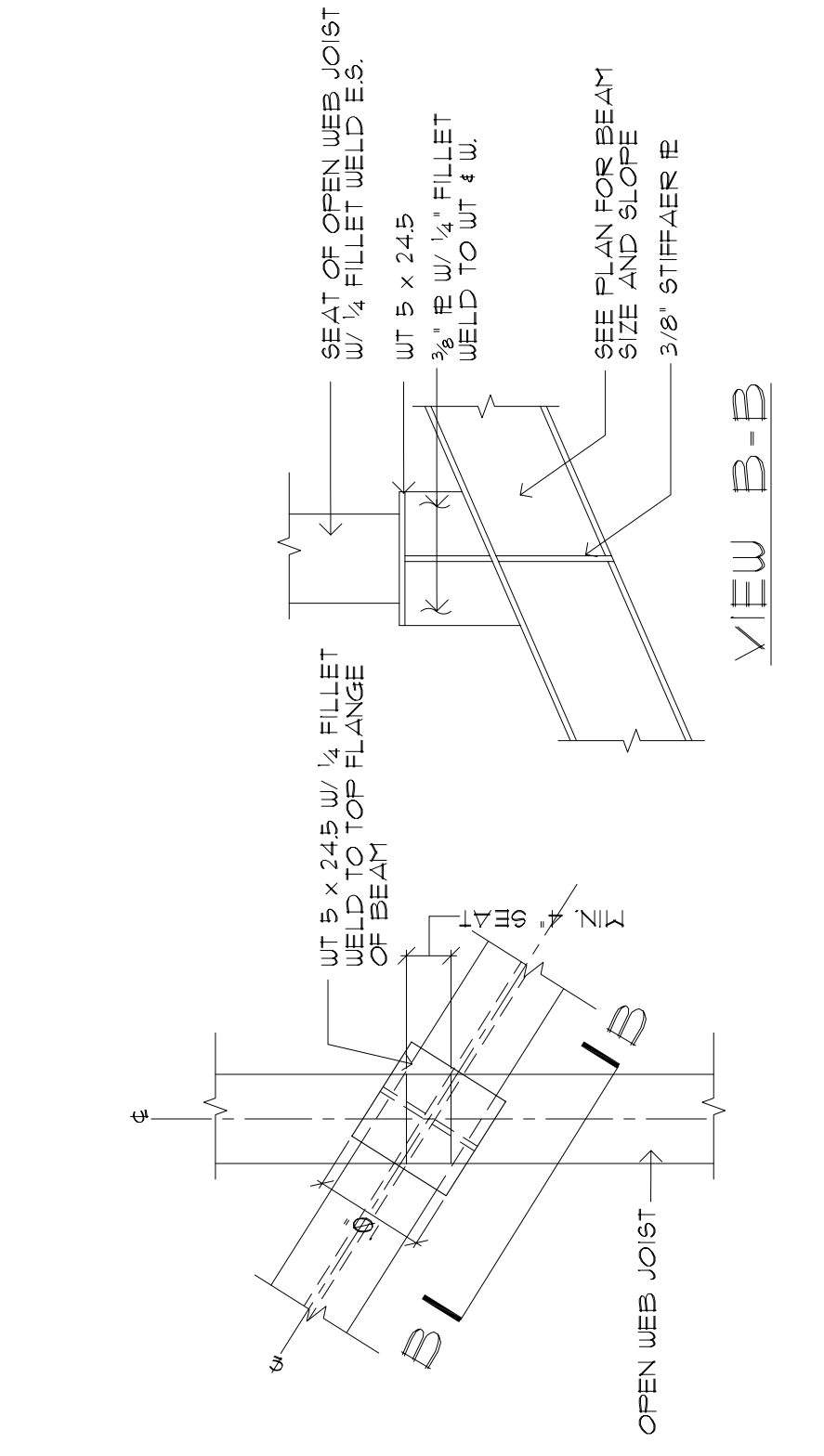
SECTION 3
SCALE: 3/4"=1'-0"



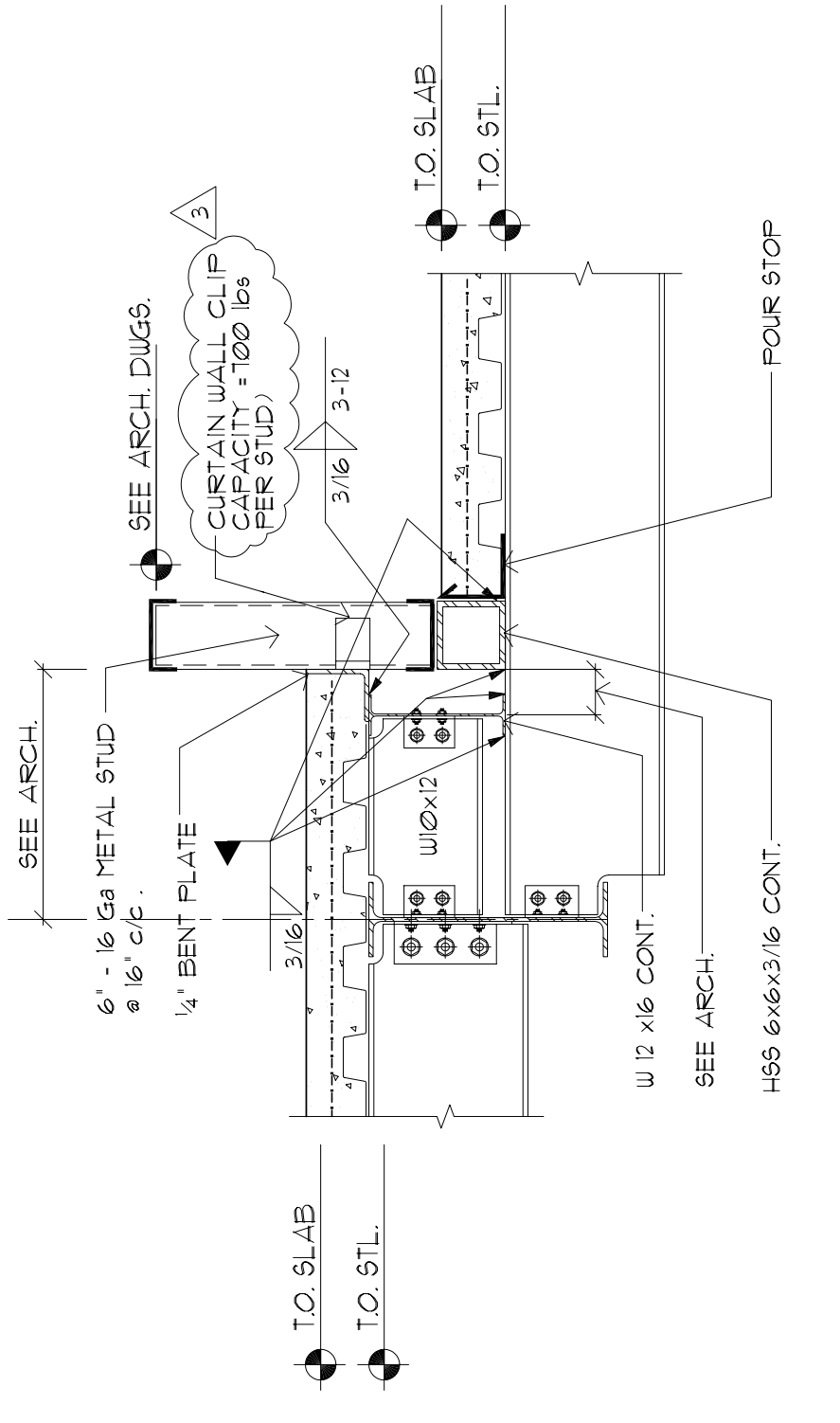
SECTION 4
SCALE: 3/4"=1'-0"



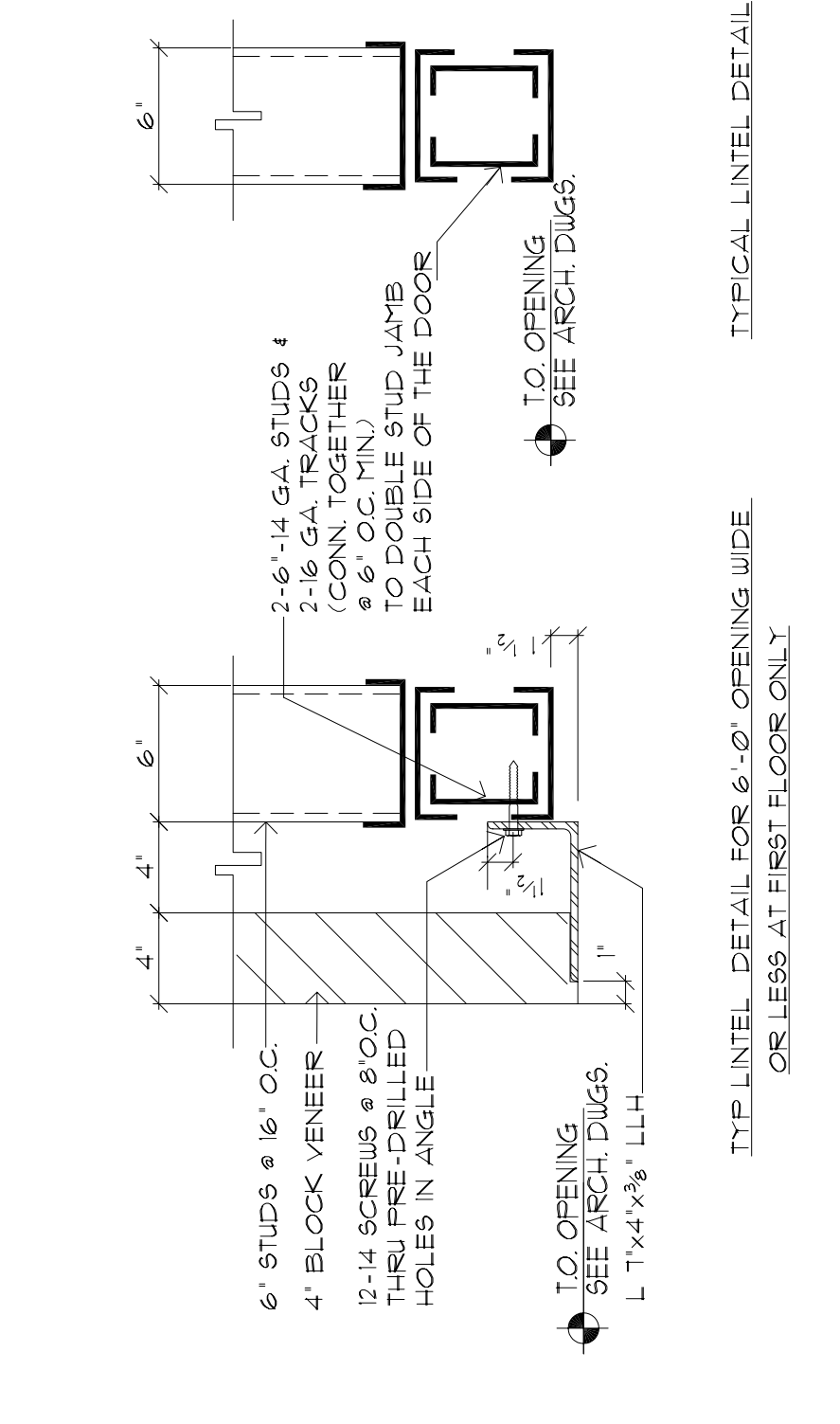
SECTION 5
SCALE: 3/4"=1'-0"



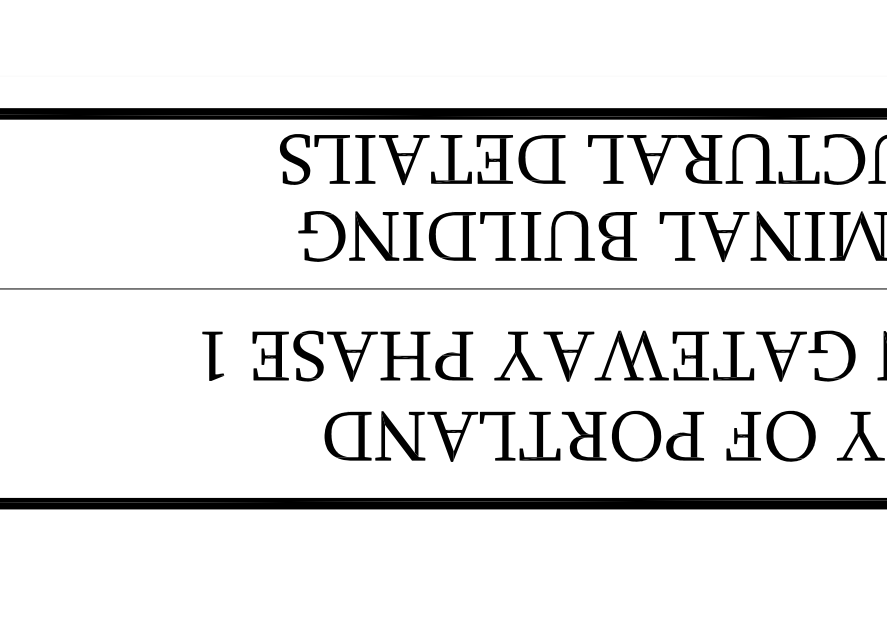
VIEW B-B



SECTION 6
SCALE: 3/4"=1'-0"

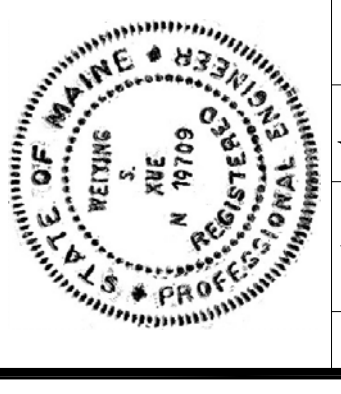


SECTION 7
SCALE: 3/4"=1'-0"



SECTION 8
SCALE: 3/4"=1'-0"

STATE OF MAINE
DEPARTMENT OF TRANSPORTATION
PROJECT NUMBER 009215.00
PIN 009215.00



DATE	10/15/05
P. LICENSE NUMBER	PE. 10709
SIGNATURE	<i>[Signature]</i>
PROJ. MANAGER	PAUL POTTLE
BY	
DATE	
DESIGN-DETAILED	
CHECKED-REVIEWED	
DESIGN-DETAILED2	
DESIGN-DETAILED3	
REVISIONS 1	VAP 22 DESIGN CHANGE 10/15/05
REVISIONS 2	NEW DRAWING 11/15/05
REVISIONS 3	
REVISIONS 4	
FIELD CHANGES	

CITY OF PORTLAND
OCEAN GATEWAY PHASE 1
STRUCTURAL BUILDING
TERMINAL DETAILS