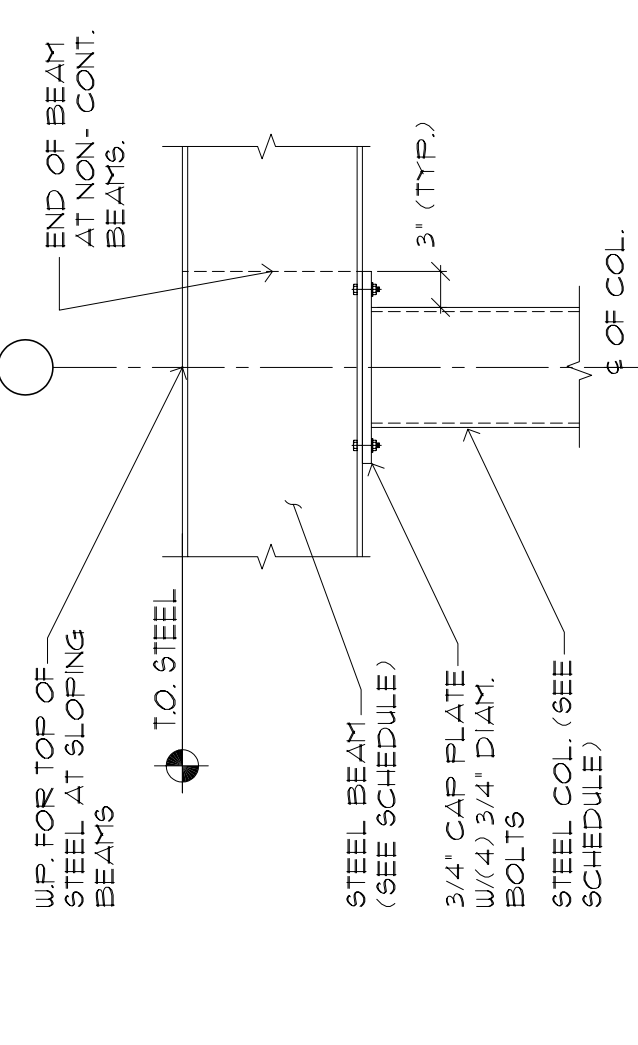
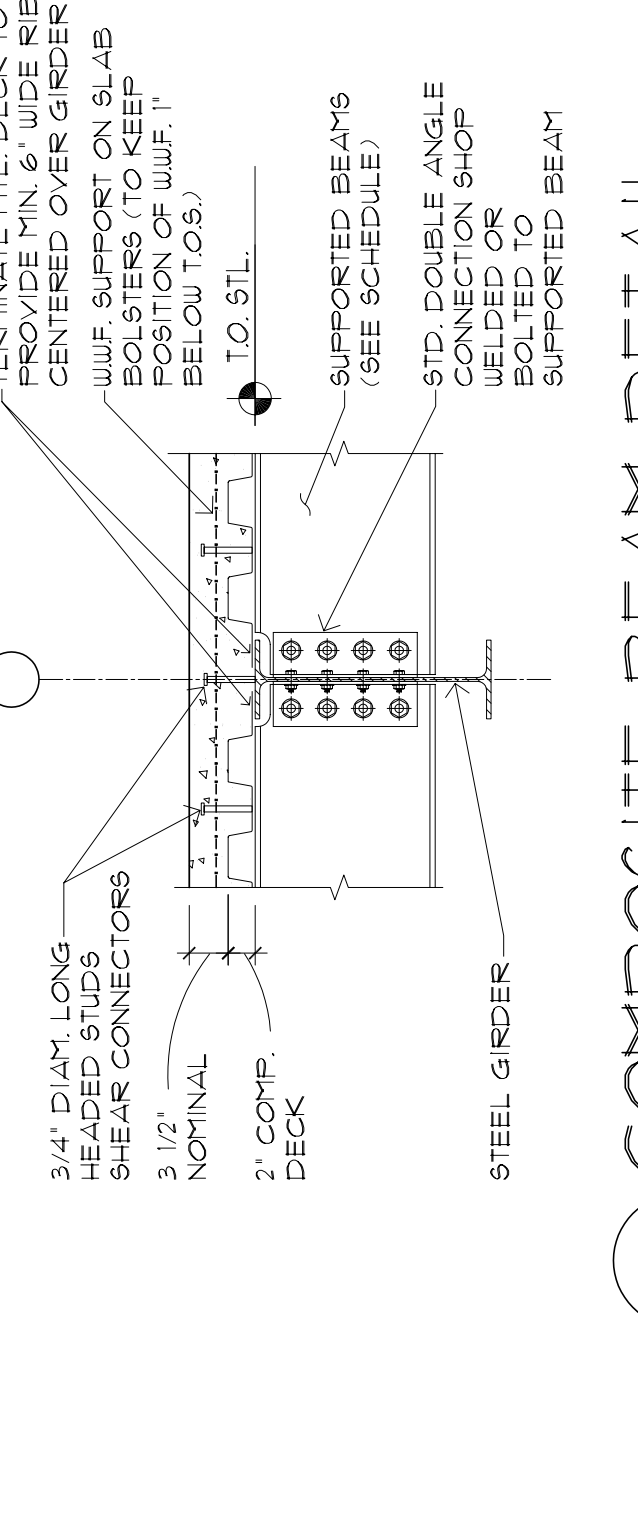


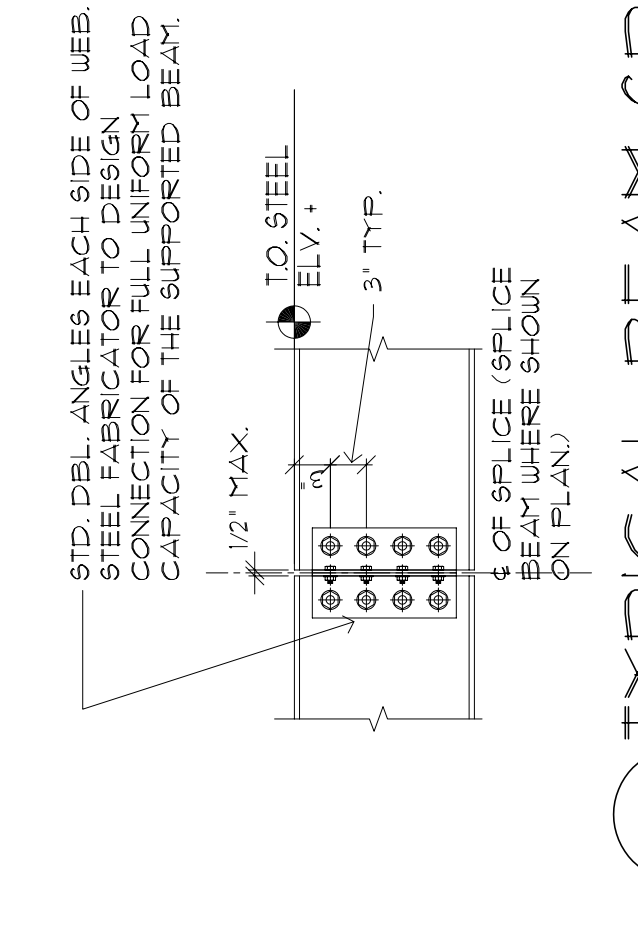
1 TYP. STUB COL. BOTTOM CONN. SCALE: 3/4"=1'-0"



2 BEAM CONN. TO TOP OF COLUMN. SCALE: 3/4"=1'-0"

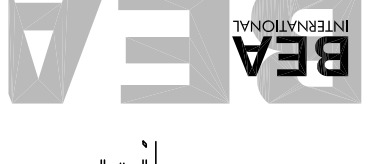


3 COMPOSITE BEAM DETAIL SCALE: 3/4"=1'-0"



4 TYPICAL BEAM SPLICE. SCALE: 3/4"=1'-0"

IN ASSOCIATION WITH:
GORRILL-PALMER CONSULTING ENGINEERS
PERATROVICH, NOTTINGHAM, & DRAGE
WINTON SCOTT ARCHITECTS
HALEY & ALDRICH



STATE OF MAINE
DEPARTMENT OF TRANSPORTATION
PROJECT NUMBER 009215.00
PIN 009215.00

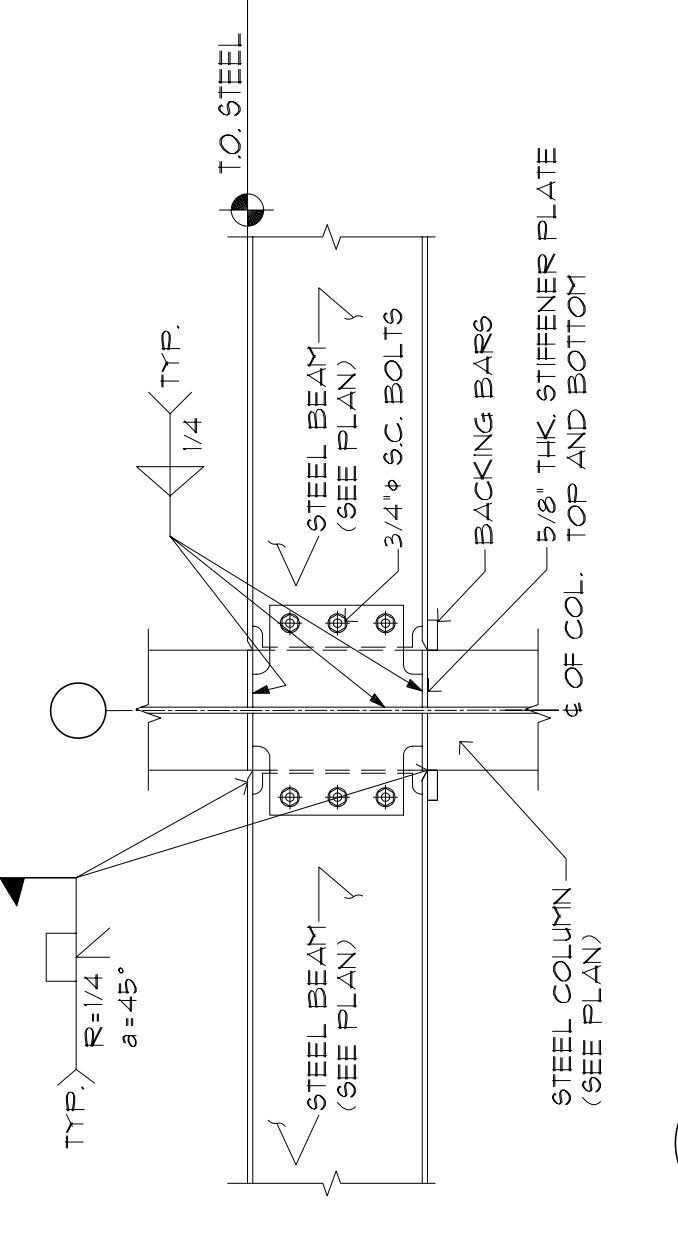


SIGNATURE: *Robert A. Mearns*
DATE: 10/15/05
P. LICENSE NUMBER: PE. 10709

DATE	BY	DESCRIPTION
10/15/05	PAUL POTTLE	DESIGN-DETAILED
11/15/05		CHECKED-REVIEWED
12/02/05		DESIGN-DETAILED2
12/02/05		DESIGN-DETAILED3
10/15/05		VAP. 22 DESIGN CHANGE
11/15/05		REVISIONS 2
11/15/05		REVISIONS 3
11/15/05		REVISIONS 4
11/15/05		FIELD CHANGES

CITY OF PORTLAND
OCEAN GATEWAY PHASE 1
STRUCTURAL BUILDING
TERMINAL BUILDING

S201-T
179B OF 288

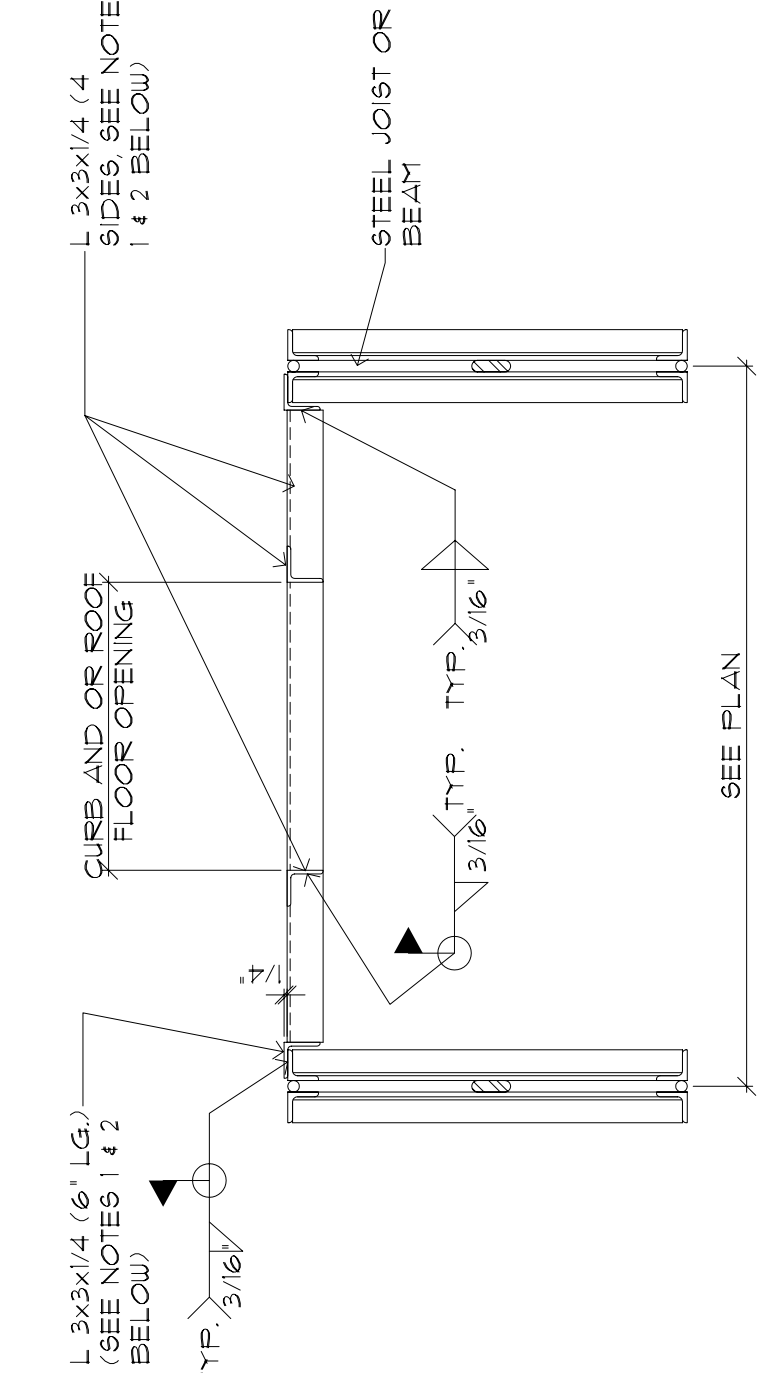


5 MOMENT CONNECTION 1 SCALE: 3/4"=1'-0"

6 MOMENT CONNECTION 2 SCALE: 3/4"=1'-0"

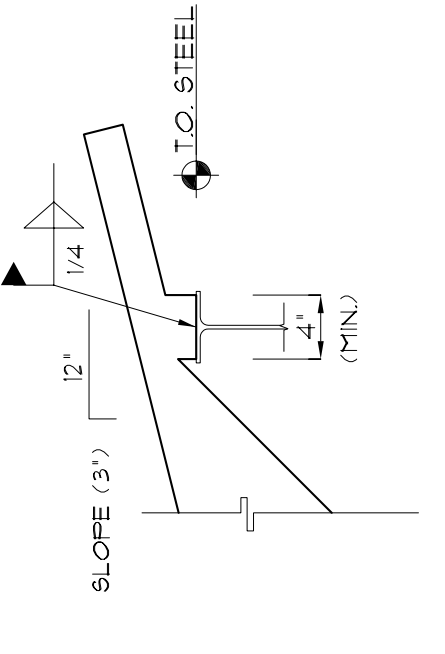
7 BEAM TO BEAM MOMENT CONN. 1 SCALE: 3/4"=1'-0"

8 BEAM TO BEAM MOMENT CONN. 2 SCALE: 3/4"=1'-0"

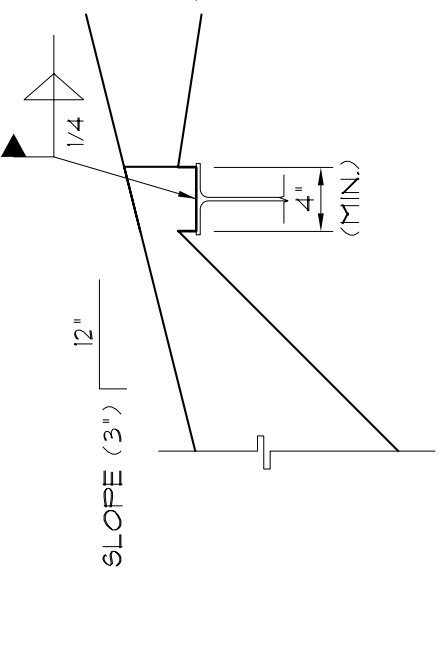


9 TYP. OPENING FRAMING & EQUIPMENT SUPPORT SCALE: 3/4"=1'-0"

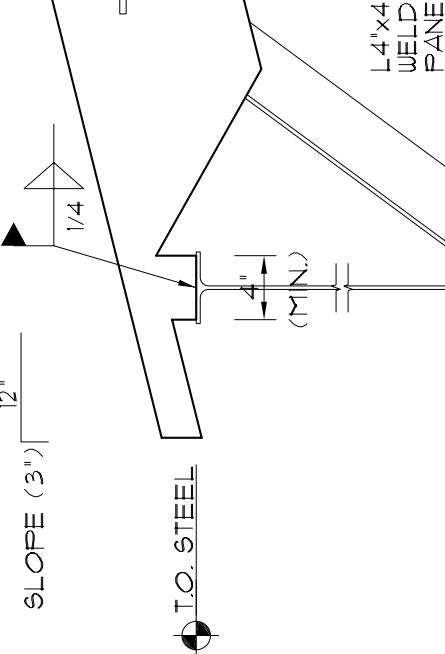
- USE THIS DETAIL FOR MAX. 6'-0" JOIST SPACING AND MAX. 300# EQUIPMENT WEIGHT.
- USE L 5x3x1/4 LLY SUPPORTS FOR LARGER JOIST SPACING OR LOADS.
- THIS DETAIL IS TYPICAL UNDER ALL ROOF TOP EQUIP. CURBS; AT ALL ROOF DRAINS & AT ROOF OPENINGS GREATER THAN 18".
- ALL WELDING TO JOIST SHALL BE DONE WITH CARE SO AS NOT TO IMPAIR THE JOISTS.
- VERIFY LOCATION, QUANTITY, SIZE AND WEIGHT W/ MECHANICAL CONTRACTOR REPORT ANY VARIATION FROM THAT SHOWN ON PLAN TO STRUCTURAL ENGINEER BEFORE PROCEEDING WITH WORK.



11 SLOPED SEAT SCALE: 1'x1'-0"



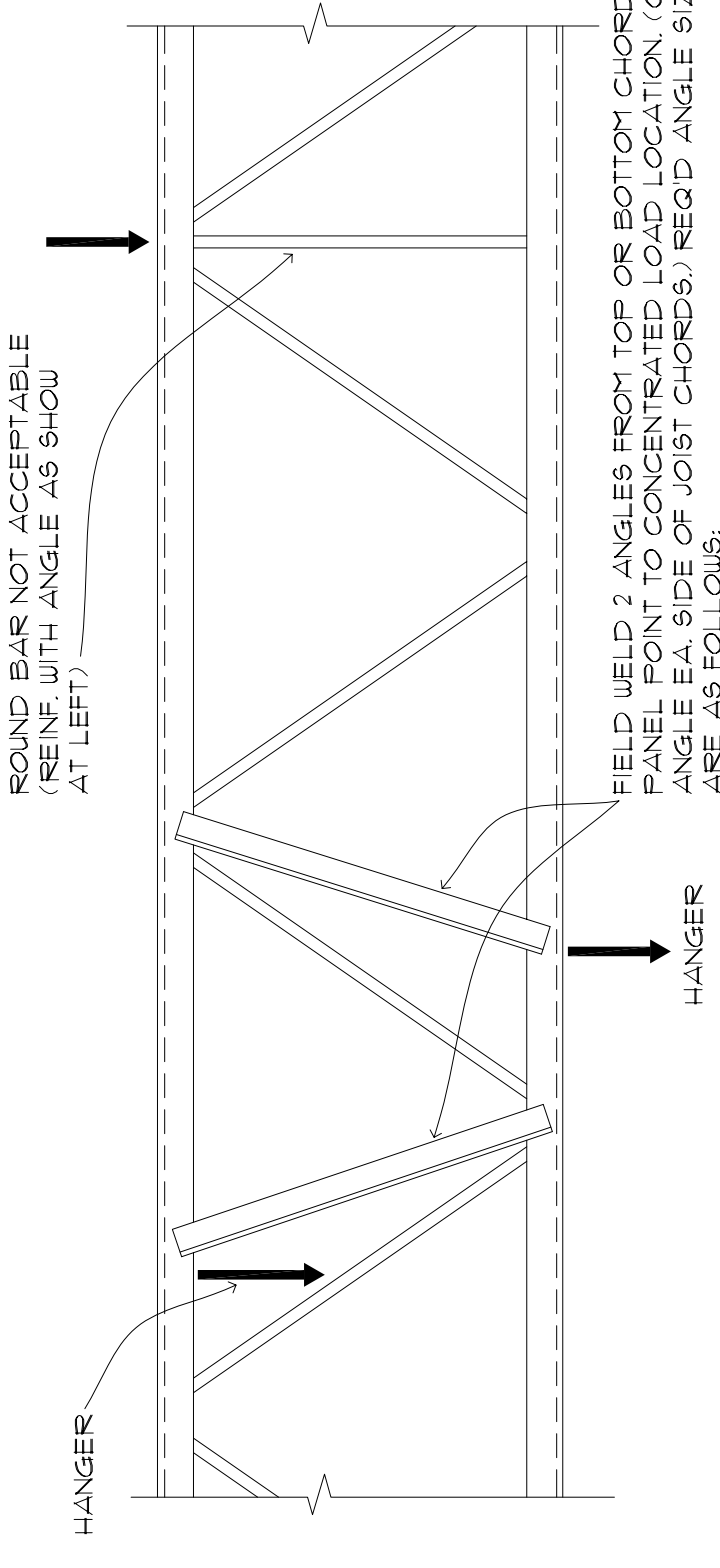
12 SLOPED SEAT SCALE: 1'x1'-0"



13 SLOPED SEAT SCALE: 1'x1'-0"



14 LOAD EXCEEDING 200 POUNDS SCALE: 3/4"=1'-0"



10 SECTION SCALE: 3/4"=1'-0"

TYP FOR ALL JOIST SUPPORTING CONCENTRATED LOAD FROM TOP OR BOTTOM CHORDS. VERIFY LOC. & NO. OF LOADS W/ ARCH. H/VAC. PLUMB & ELEC. DIAGS (NOT REQ'D FOR CONCENTRATED LOADS LESS THAN 200 POUNDS).

JOIST DEPTH
8" TO 24"
26" TO 48"

ANGLE SIZE
L 1 1/2" x 1 1/2" x 1/8"
L 2 x 2 x 3/16"

TYP. JOIST MODIFICATION AT CONCENTRATE
LOAD EXCEEDING 200 POUNDS

14 LOAD EXCEEDING 200 POUNDS SCALE: 3/4"=1'-0"