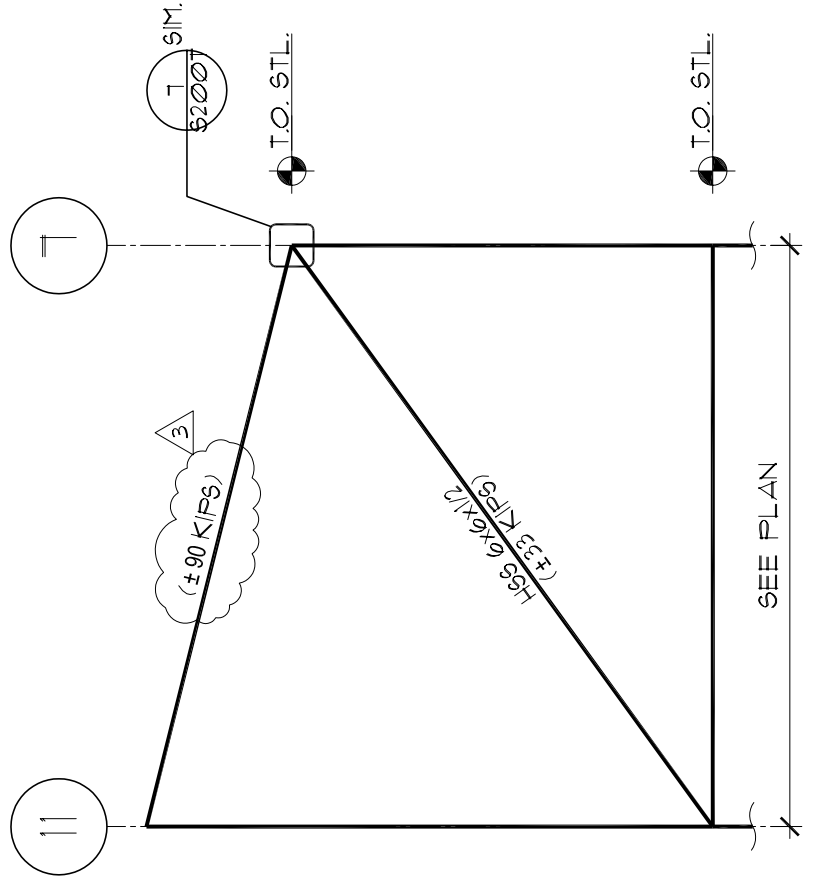
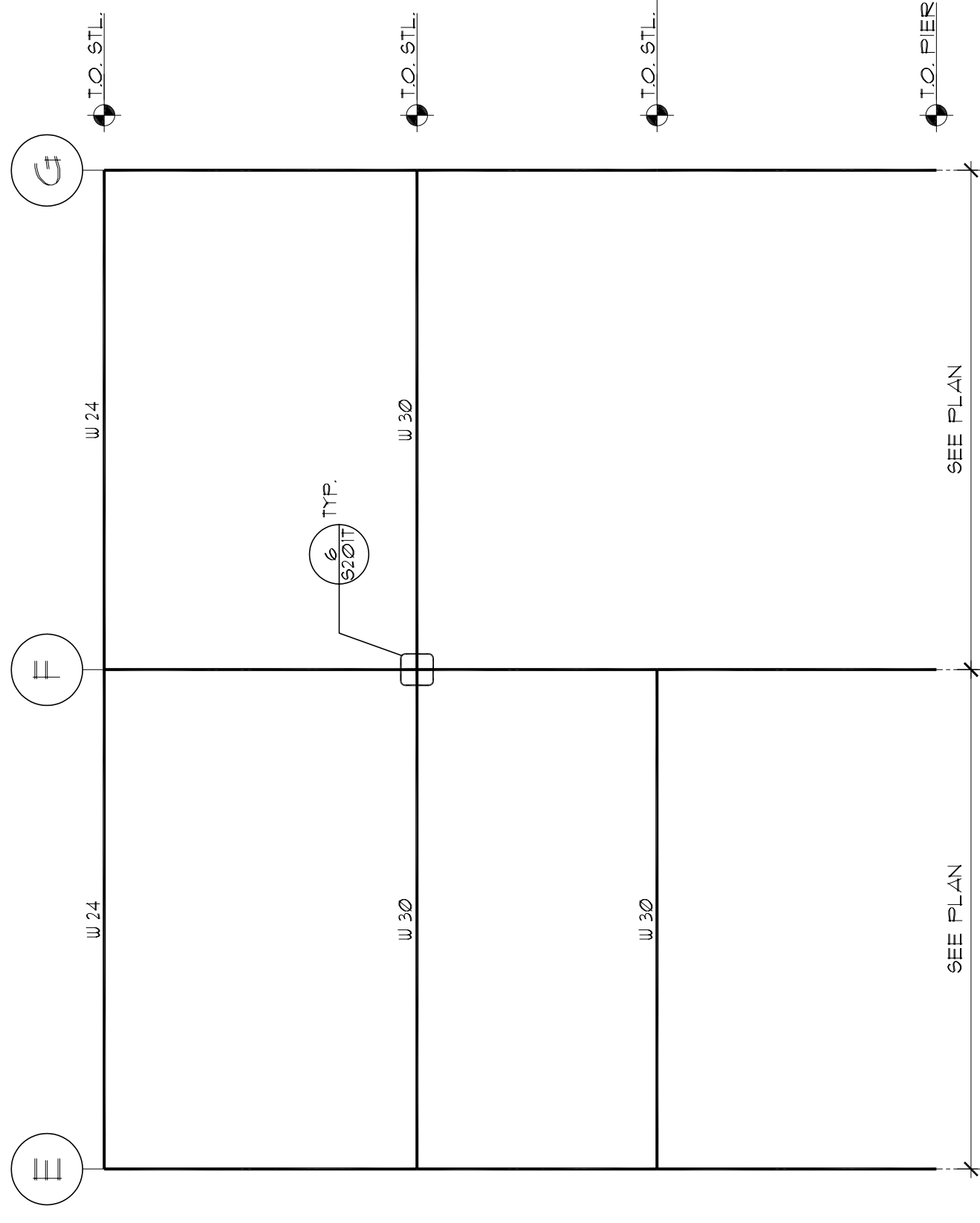


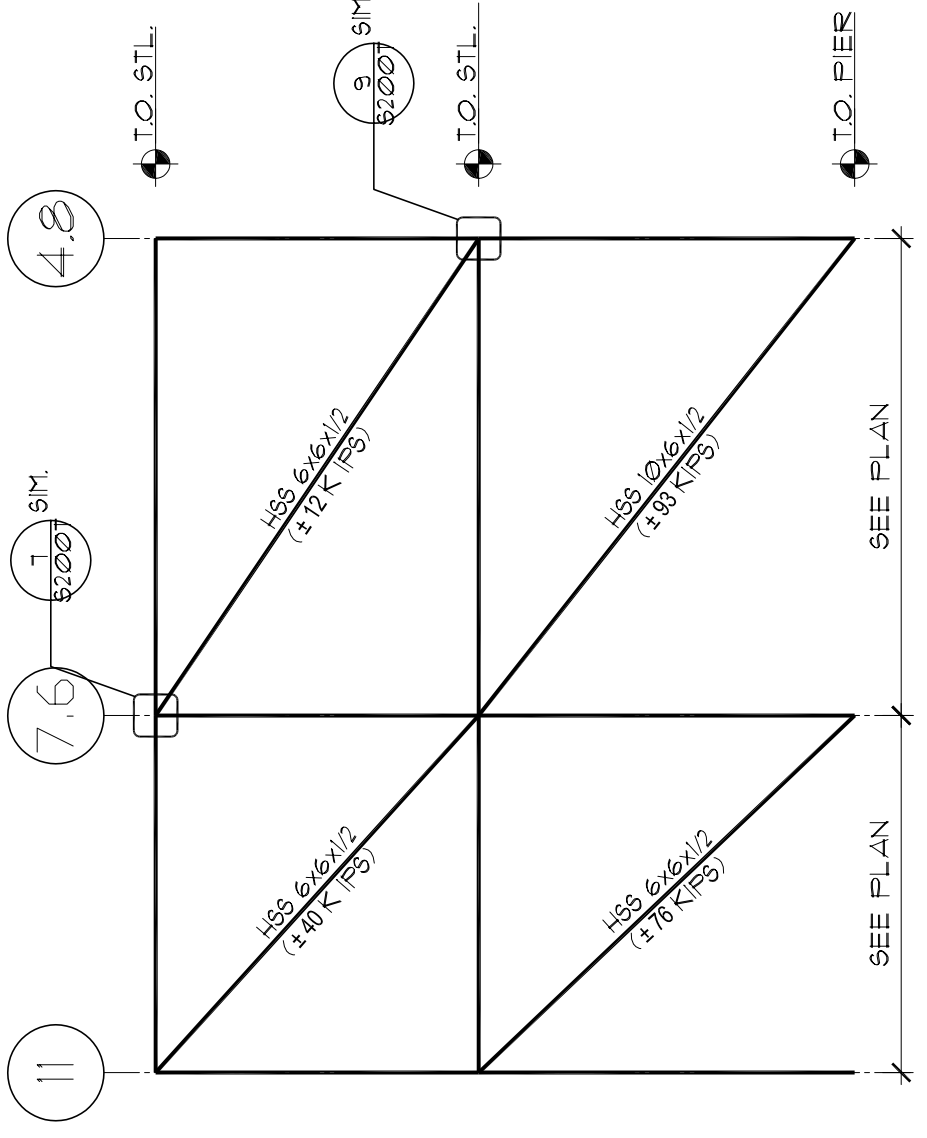
1 FRAME ELEVATION ON LINE C  
SCALE: 1/8"=1'-0"



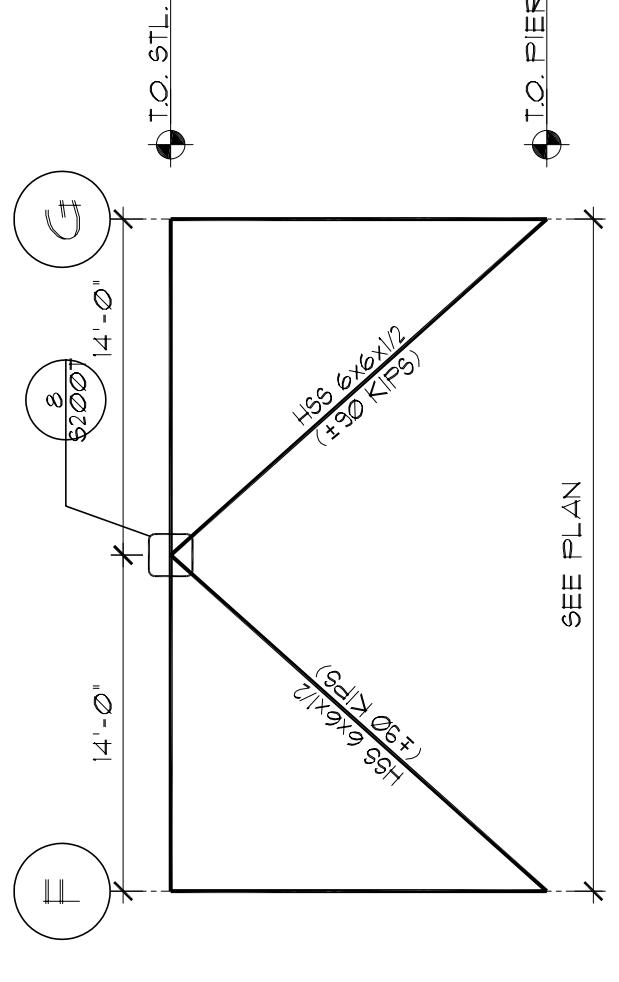
2 FRAME ELEVATION ON LINE F  
SCALE: 1/8"=1'-0"



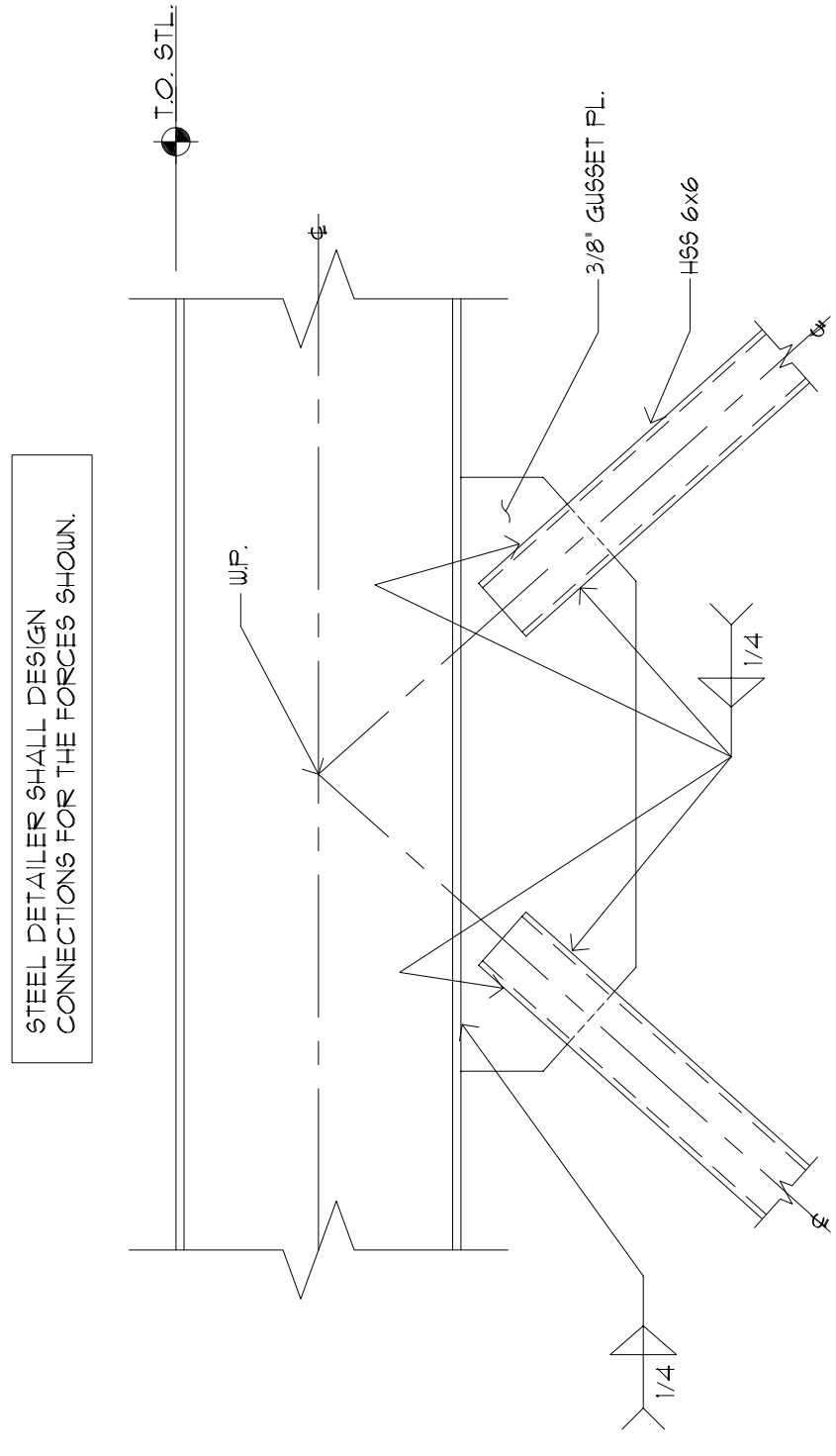
3 FRAME ELEVATION ON LINE G  
SCALE: 1/8"=1'-0"



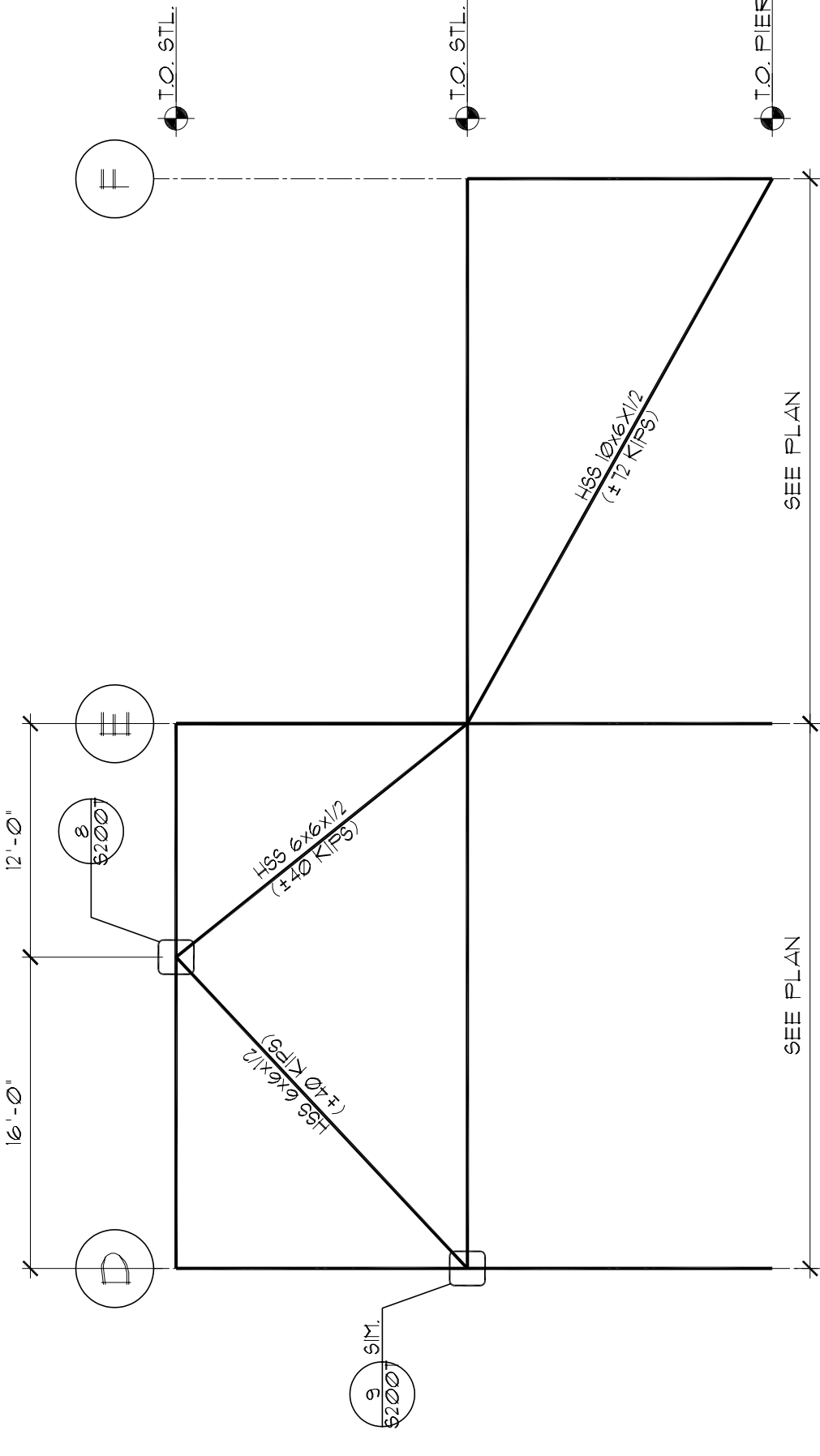
4 FRAME ELEVATION ON LINE H  
SCALE: 1/8"=1'-0"



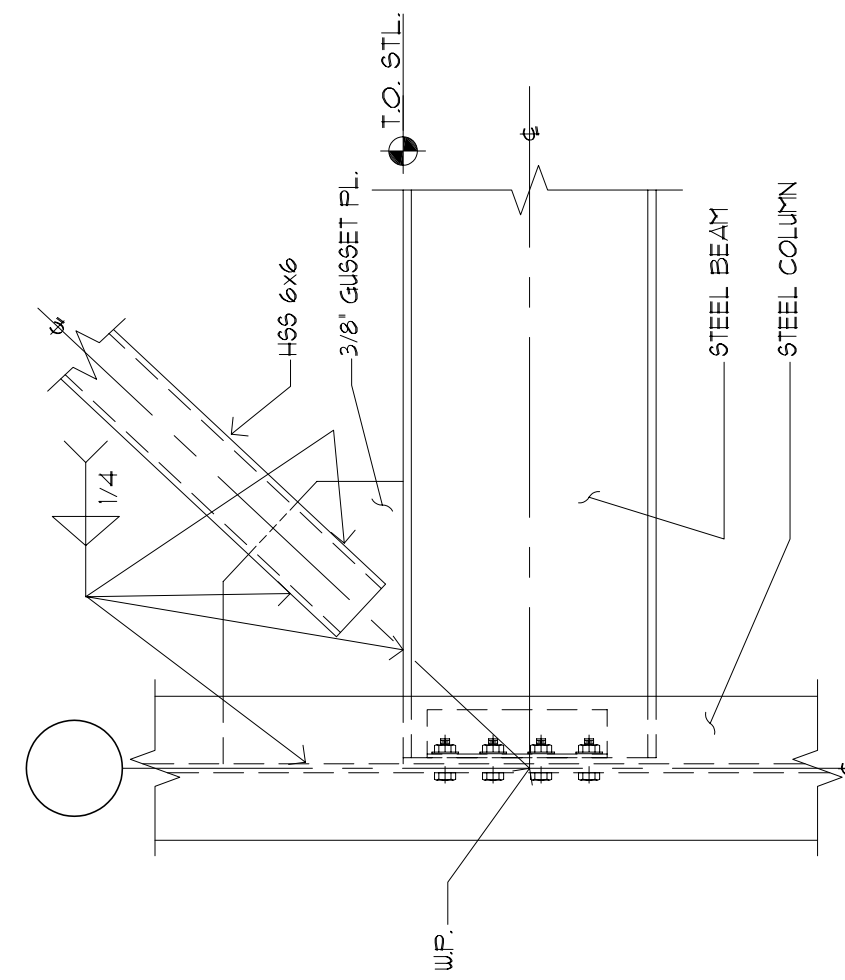
5 FRAME ELEVATION ON LINE I  
SCALE: 1/8"=1'-0"



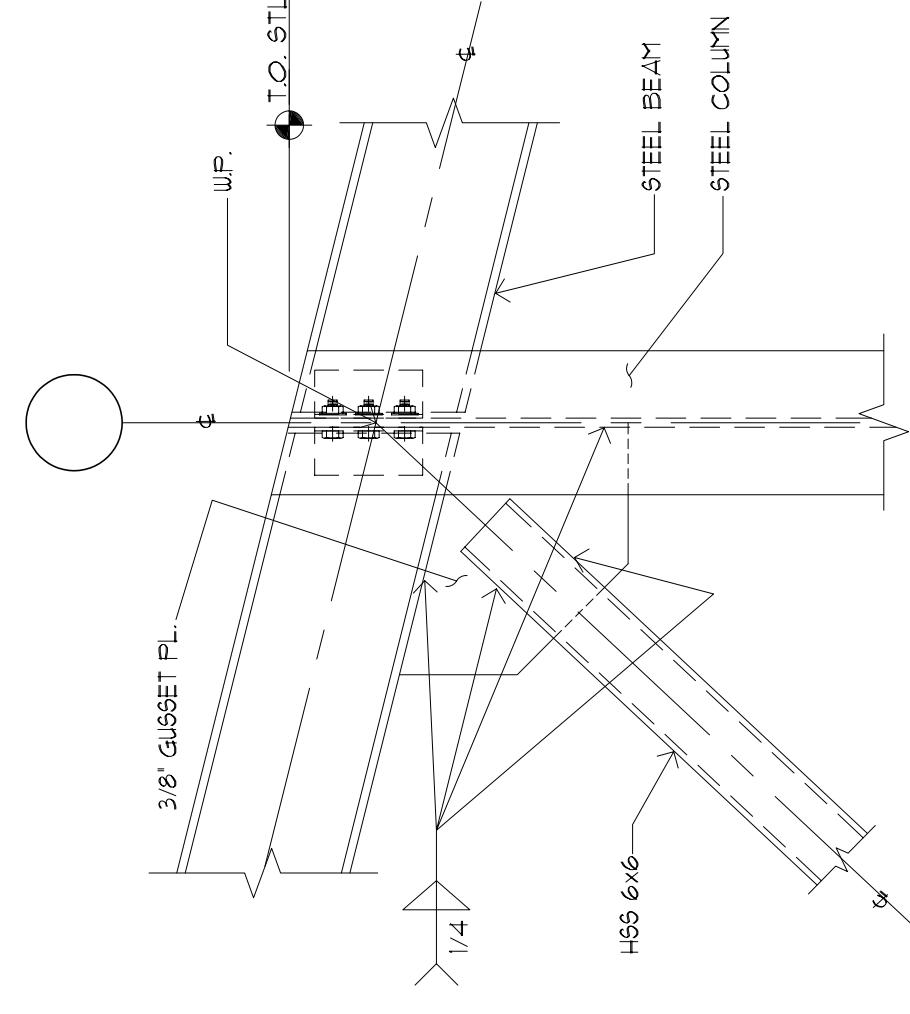
8 DETAIL  
SCALE: 3/4"=1'-0"



6 FRAME ELEVATION ON LINE J  
SCALE: 1/8"=1'-0"



9 DETAIL  
SCALE: 3/4"=1'-0"



7 DETAIL  
SCALE: 3/4"=1'-0"

CITY OF PORTLAND  
OCEAN GATEWAY PHASE 1  
GENERAL BUILDING  
GENERAL SECTIONS

STATE OF MAINE DEPARTMENT OF TRANSPORTATION	PROJECT NUMBER 009215.00 PIN 009215.00
--	---



SIGNATURE <i>W. J. Wainwright</i>	DATE 10/15/05
P. LICENSE NUMBER 10709	DATE 12/02/05
PROJ. MANAGER PAUL POTTLE	DATE 11/15/05
BY	DATE
DESIGN-DETAILED	
CHECKED-REVIEWED	
DESIGN-DETAILED3	
DESIGN-DETAILED2	
DESIGN-DETAILED3	
REVISIONS 1	VAP 22 DESIGN CHANGE 10/15/05
REVISIONS 2	
REVISIONS 3	
REVISIONS 4	
FIELD CHANGES	

IN ASSOCIATION WITH:  
GORRILL-PALMER CONSULTING ENGINEERS  
PERFATROVICH, NOTTINGHAM, & DRAGE  
WINTON SCOTT ARCHITECTS  
HALEY & ALDRICH

