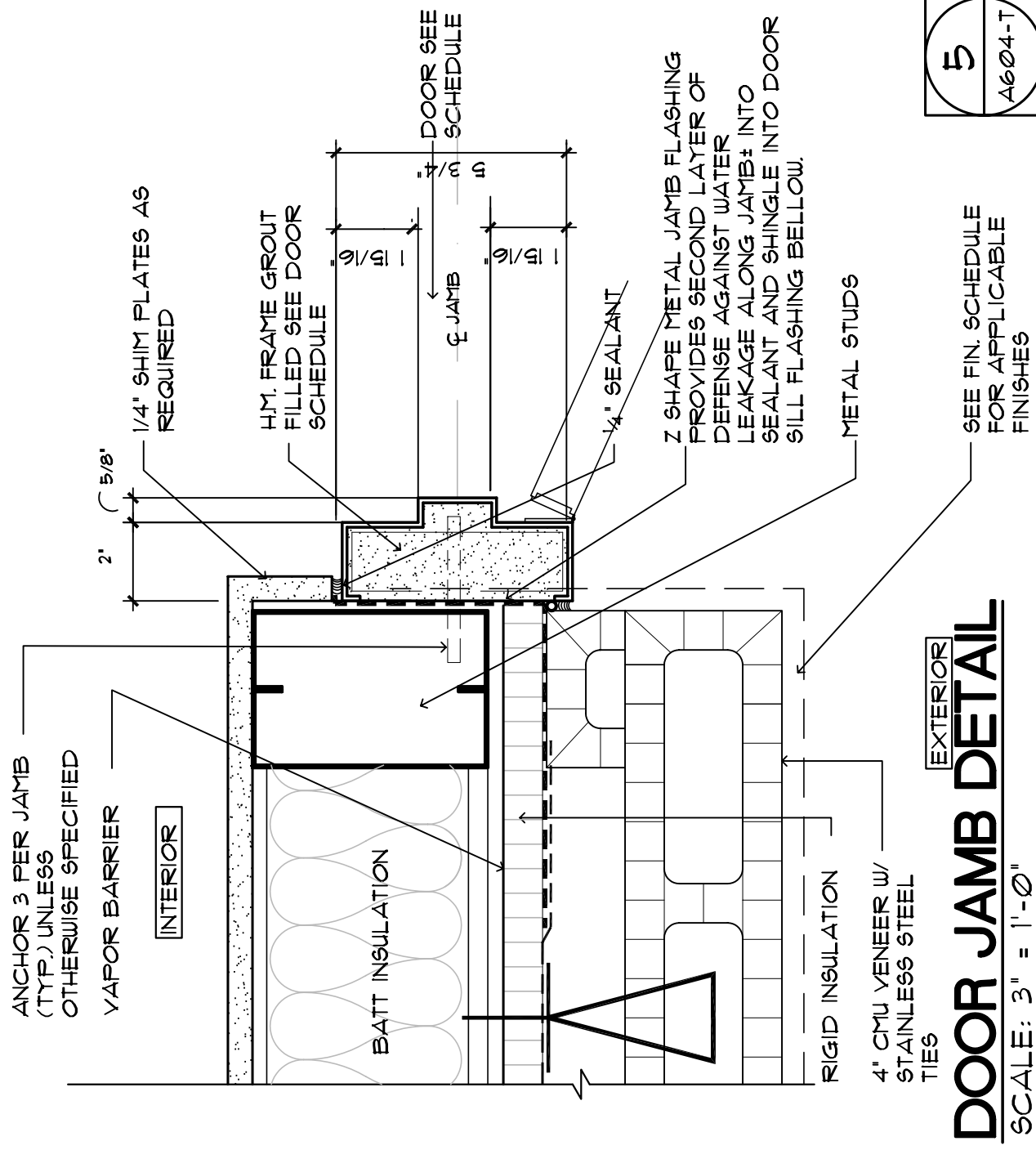
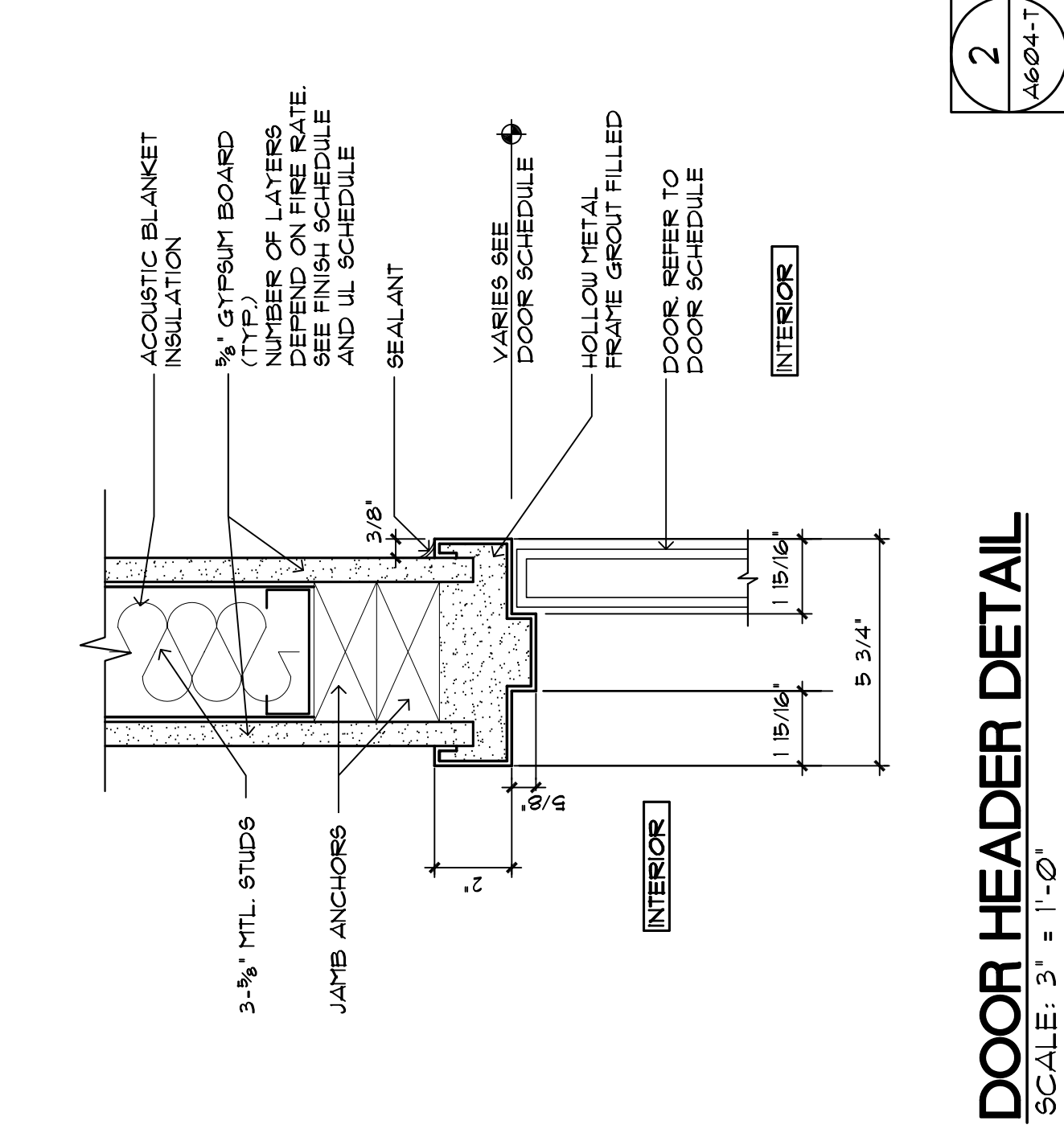


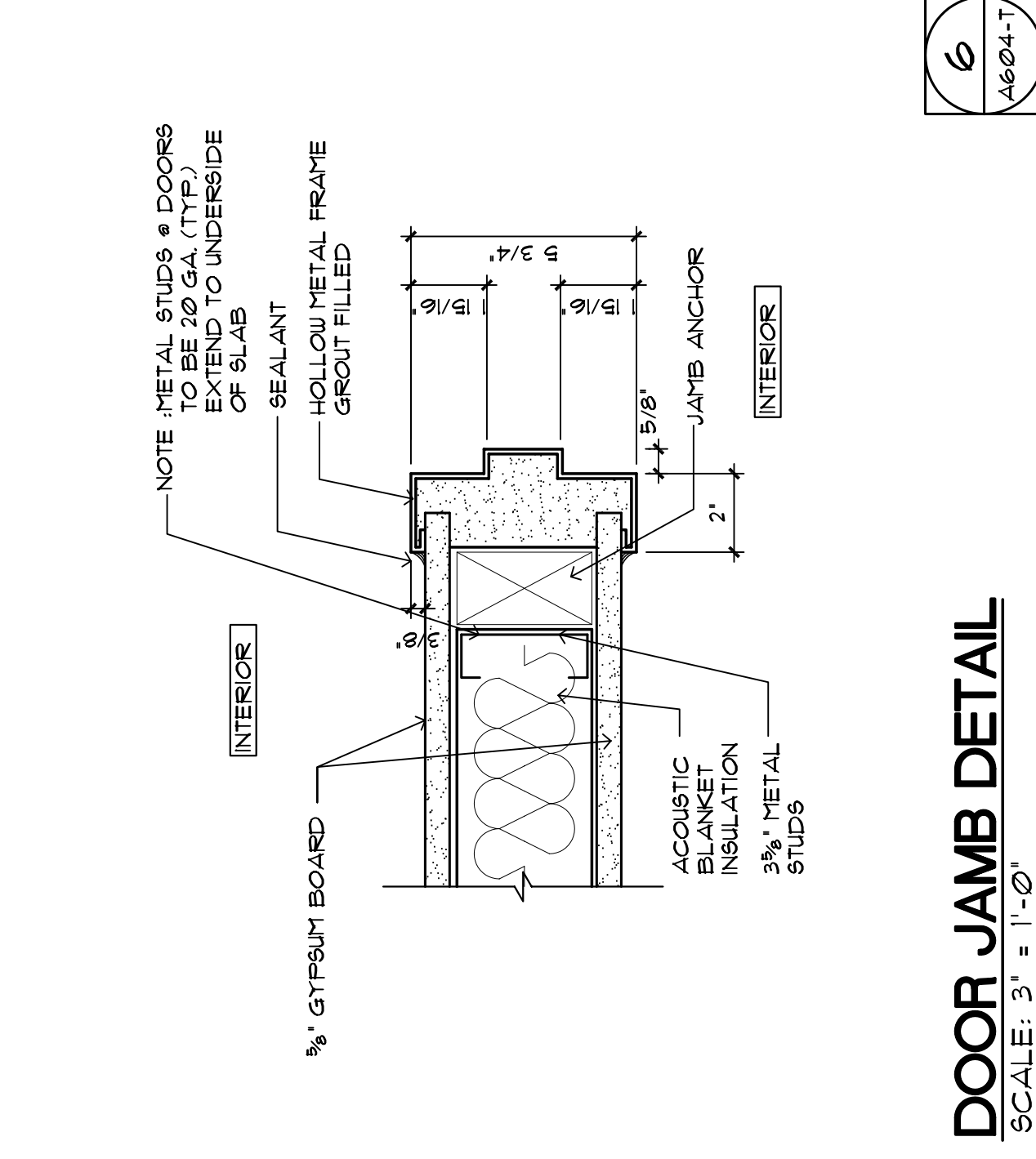
**1**  
A604-T  
**DOOR HEADER DETAIL**  
SCALE: 3" = 1'-0"



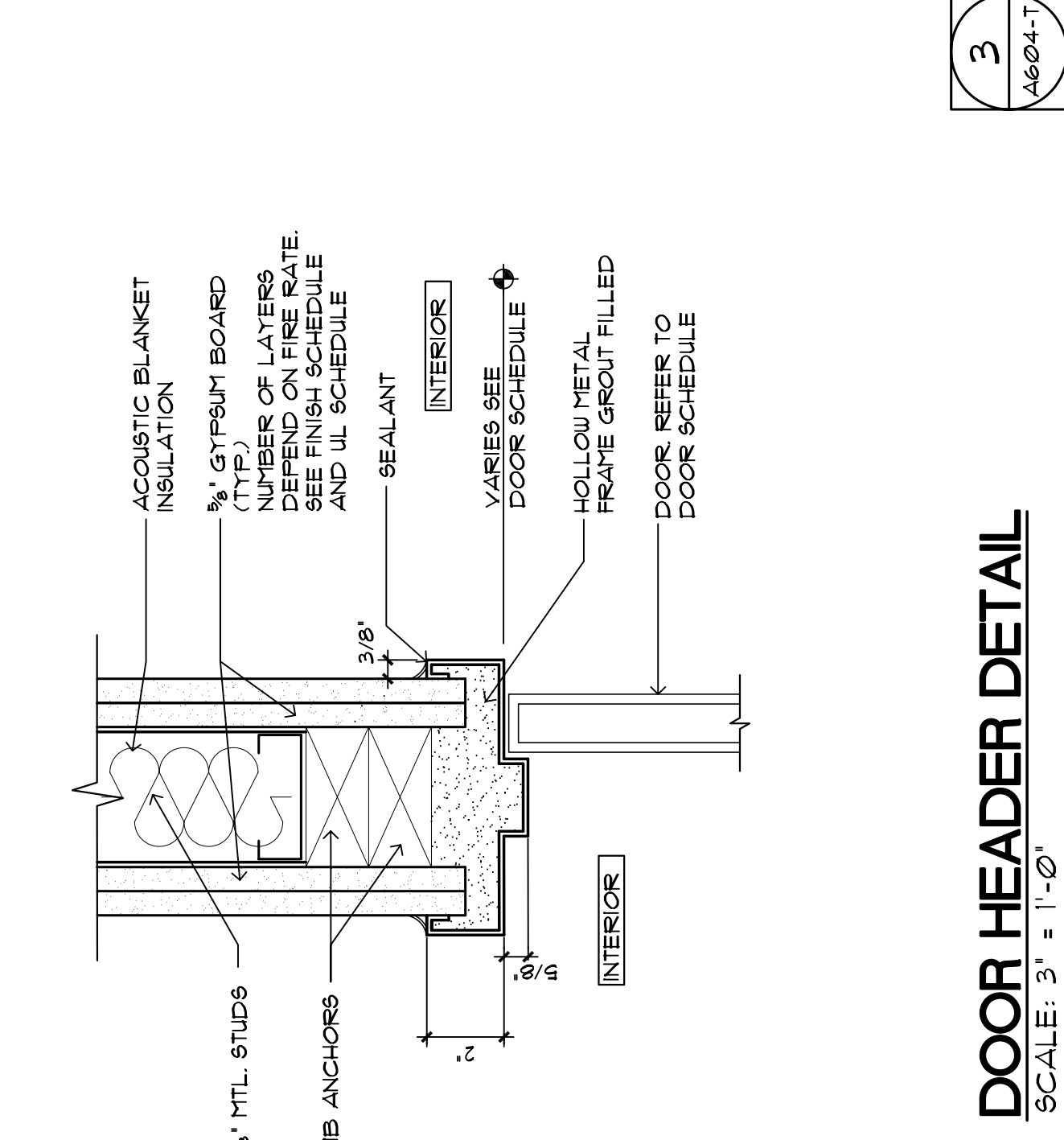
**5**  
A604-T  
**DOOR JAMB DETAIL**  
SCALE: 3" = 1'-0"



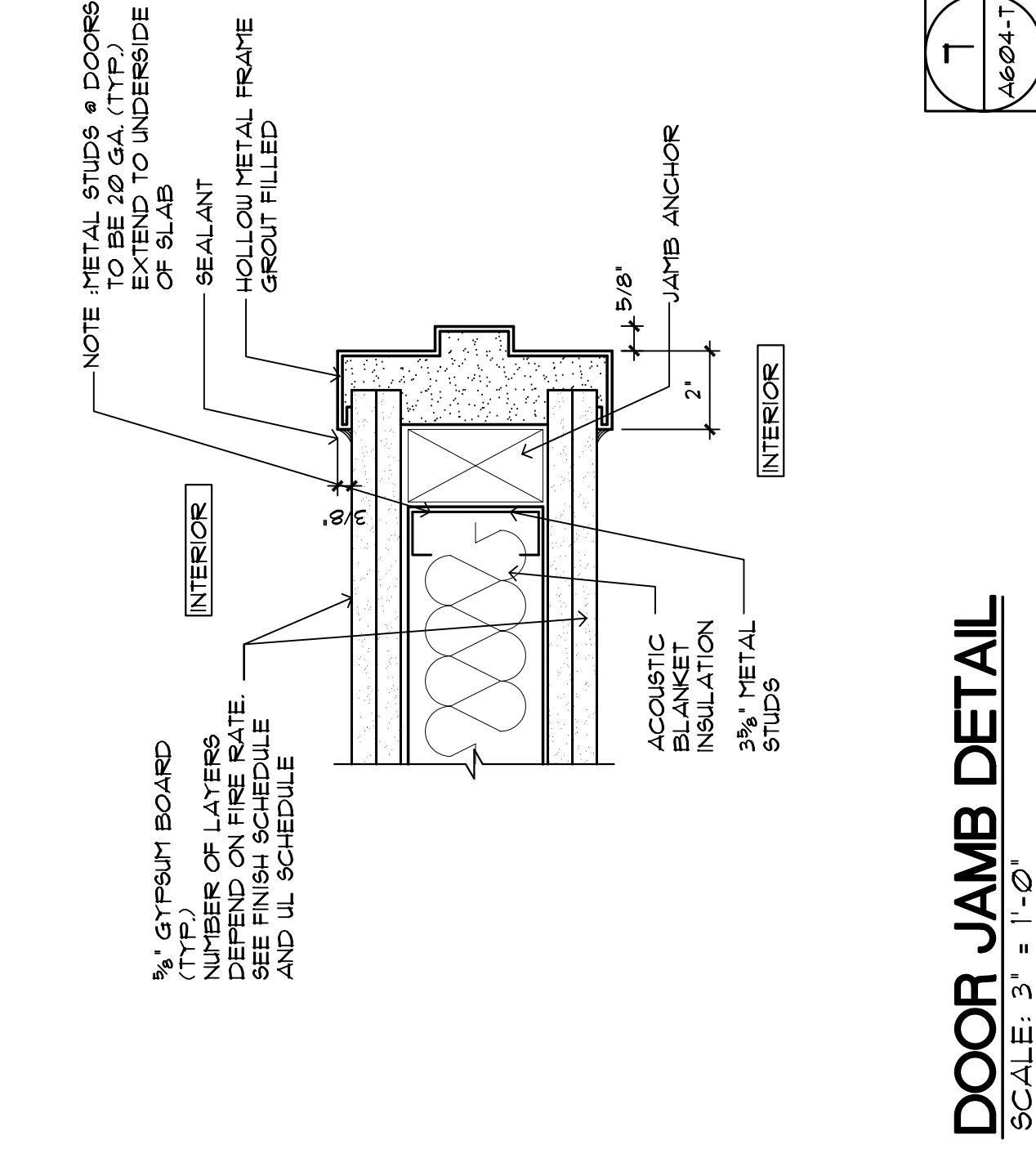
**2**  
A604-T  
**DOOR HEADER DETAIL**  
SCALE: 3" = 1'-0"



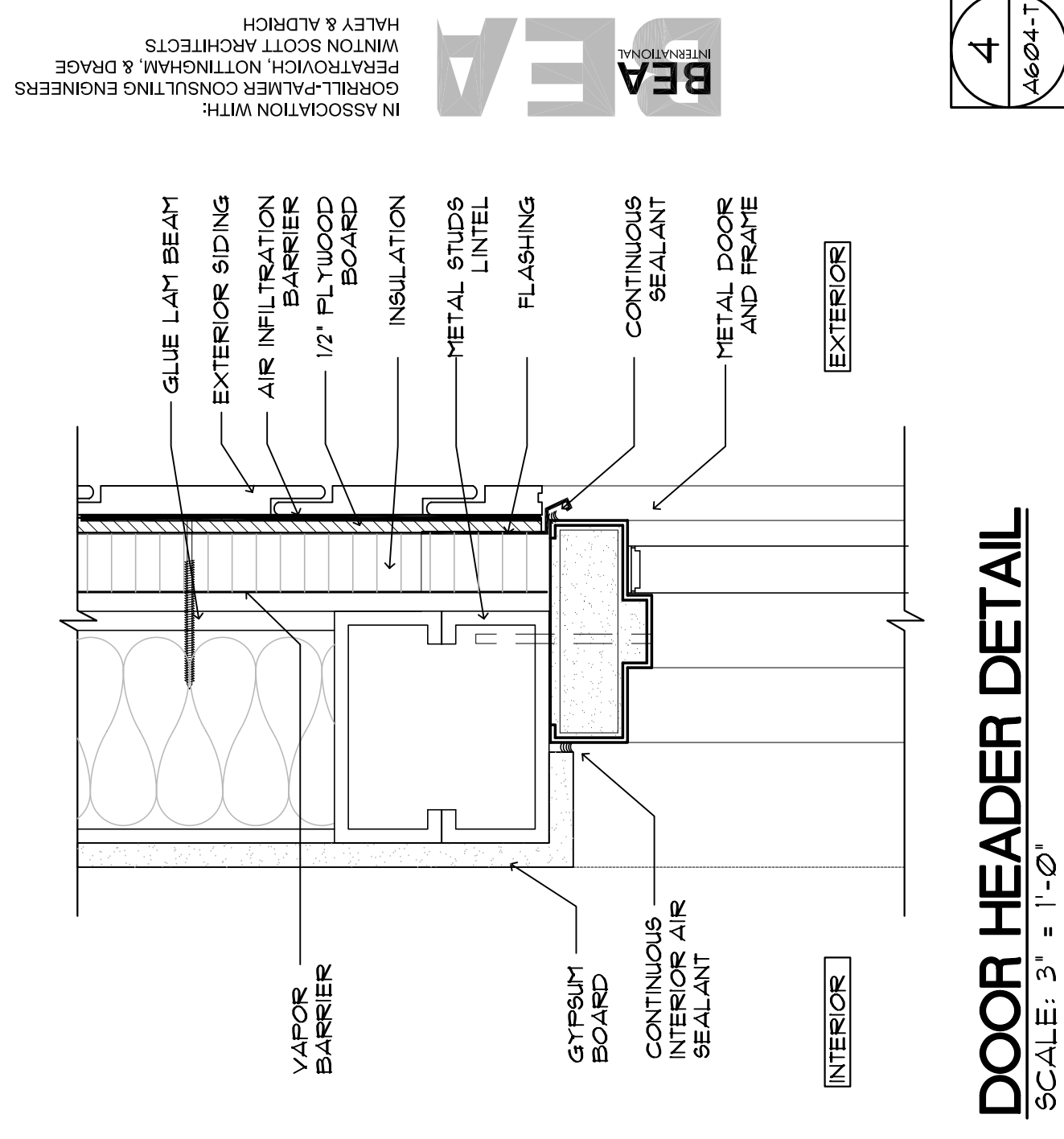
**6**  
A604-T  
**DOOR JAMB DETAIL**  
SCALE: 3" = 1'-0"



**3**  
A604-T  
**DOOR HEADER DETAIL**  
SCALE: 3" = 1'-0"



**7**  
A604-T  
**DOOR JAMB DETAIL**  
SCALE: 3" = 1'-0"



**4**  
A604-T  
**DOOR HEADER DETAIL**  
SCALE: 3" = 1'-0"



**11**  
A604-T  
**DOOR SILL DETAIL**  
SCALE: 3" = 1'-0"

STATE OF PORTLAND  
CITY OF PORTLAND  
OCEAN GATEWAY PHASE 1  
DOOR DETAILS

PROJ. MANAGER PAUL POTTE  
BY DATE  
DESIGN-DETAILED  
CHECKED-DETAILED  
DESIGN-DETAILED3  
REVISIONS 1 VAP 22 DESIGN CHANGE 10/15/05  
REVISIONS 2 ADED DETAIL 4/21/05  
REVISIONS 3  
REVISIONS 4  
FIELD CHANGES

SIGNATURE  
DATE 12/02/05  
LICENSE NUMBER  
P.L. 2644  
STATE OF MAINE REGISTERED ARCHITECT

PROJECT NUMBER 009215.00  
PIN 009215.00  
DEPARTMENT OF TRANSPORTATION  
STATE OF MAINE