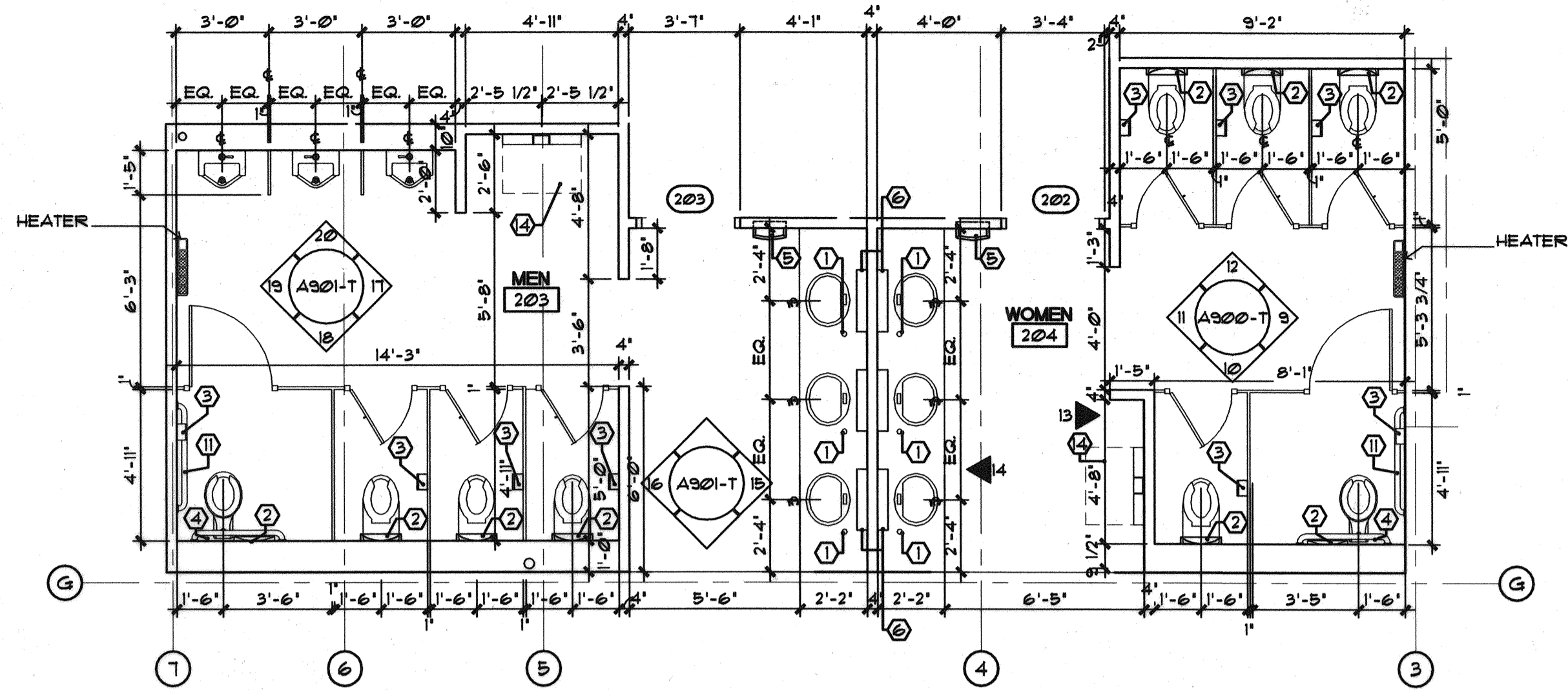
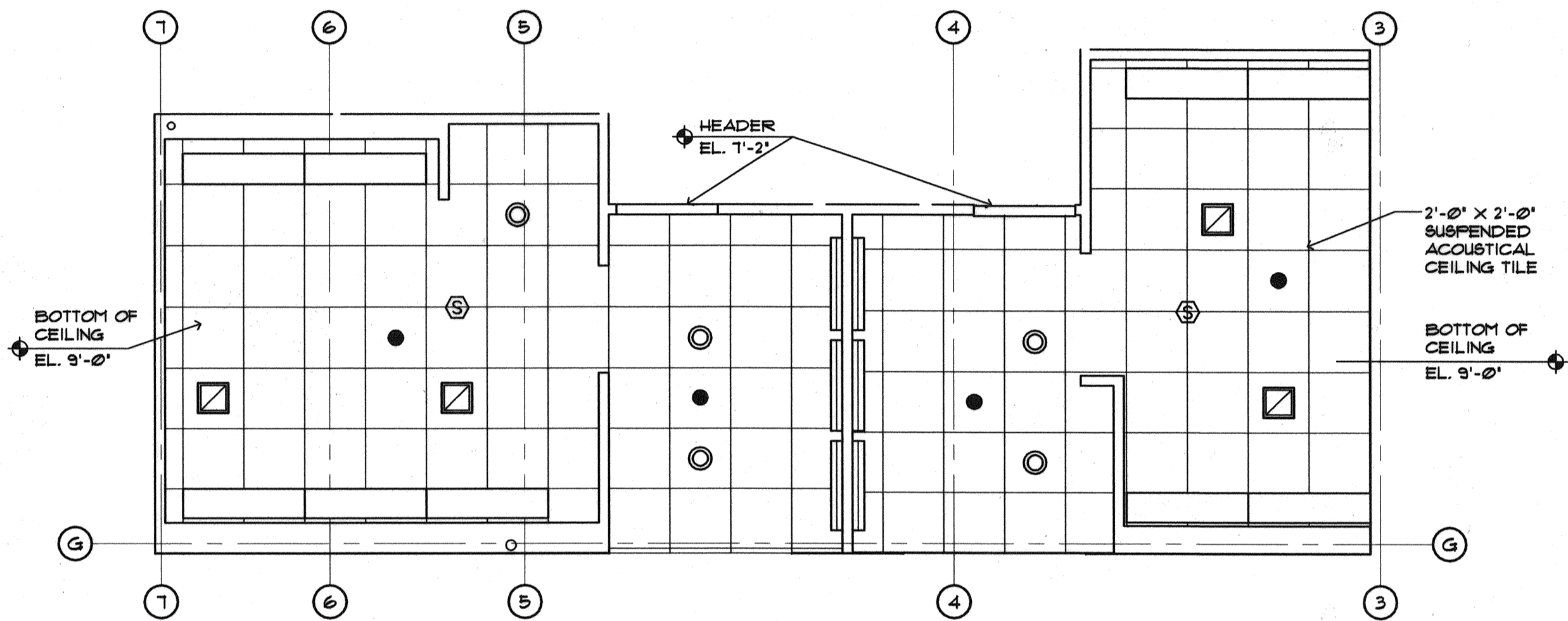


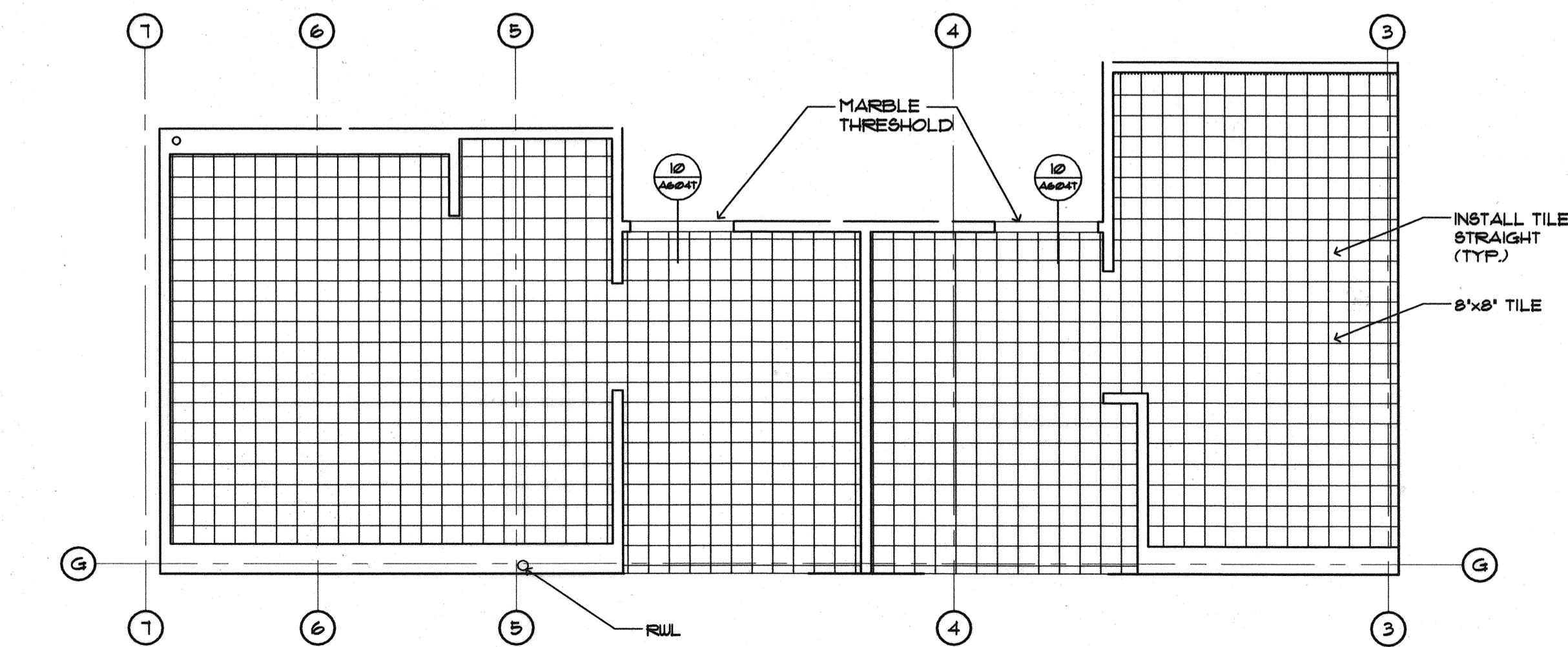
Filename: \\server1\projects\02-0818 Maine Int Ferry Terminal\PHASE 1\Architecture\FINAL CONSTRUCTION DOCUMENTS\TERMINAL BUILDING\20343802-T-A402.dwg, Oct 07, 2004 - 11:56am



**ENLARGED SECOND FLOOR RESTROOMS FLOOR PLAN**  
SCALE: 1/4"=1'-0"



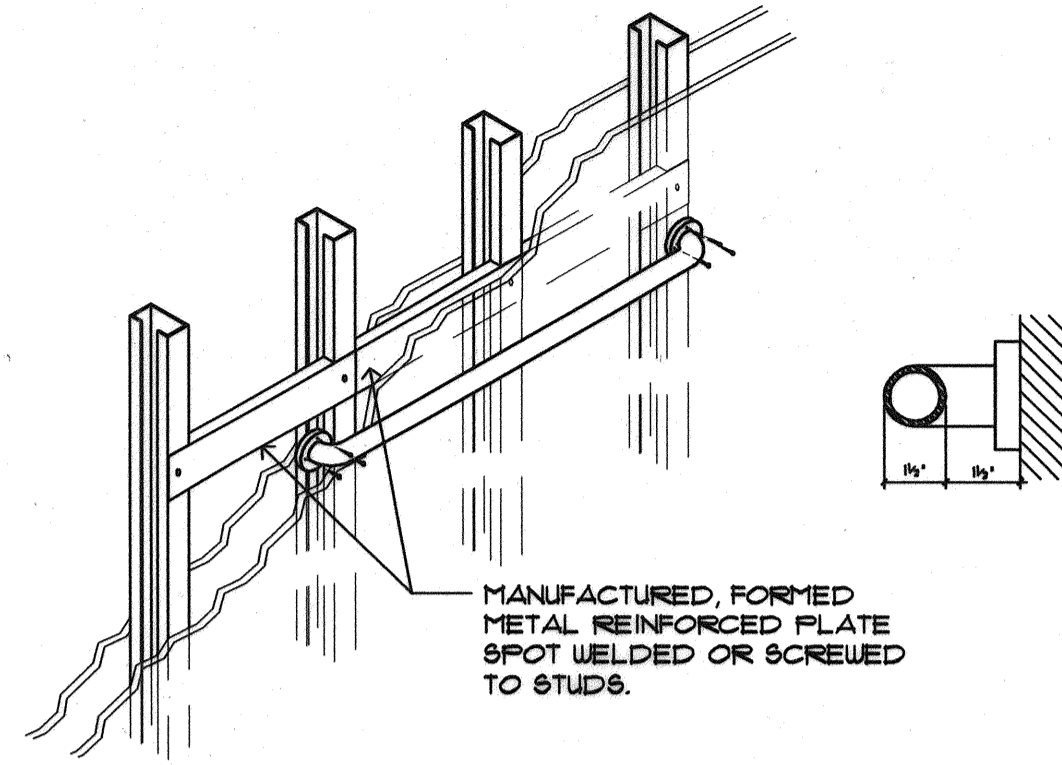
**ENLARGED SECOND FLOOR PUBLIC RESTROOMS REFLECTED CEILING PLAN**



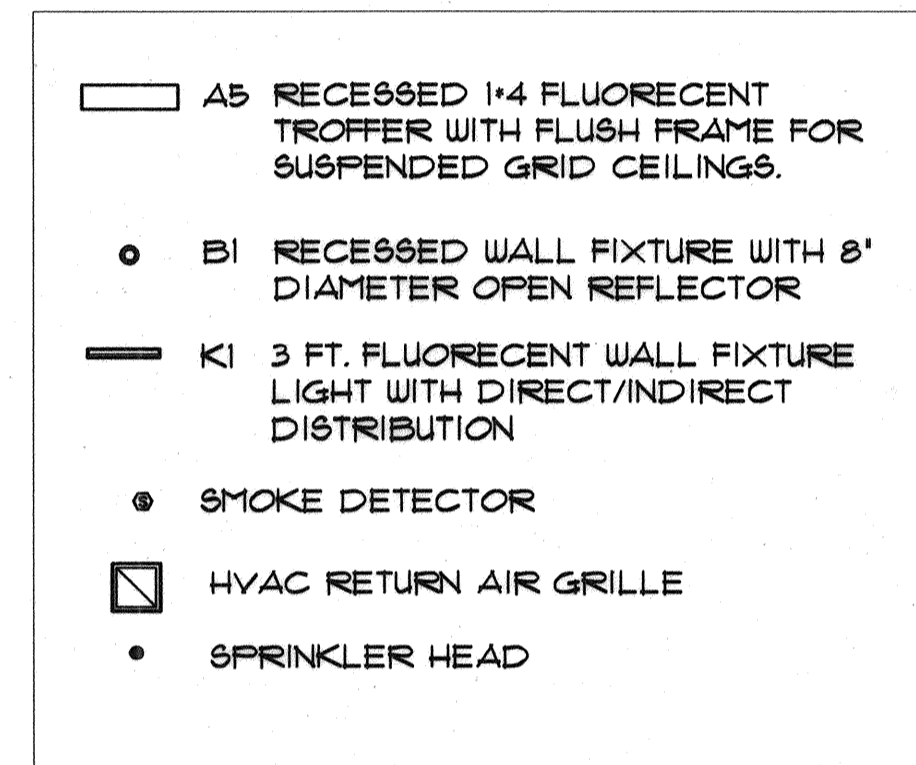
**ENLARGED SECOND FLOOR PUBLIC RESTROOMS FLOOR TILE PLAN**  
SCALE: 1/4"=1'-0"

**FIXTURE LEGEND (SEE MEP DRAWINGS FOR MORE DETAILS)**

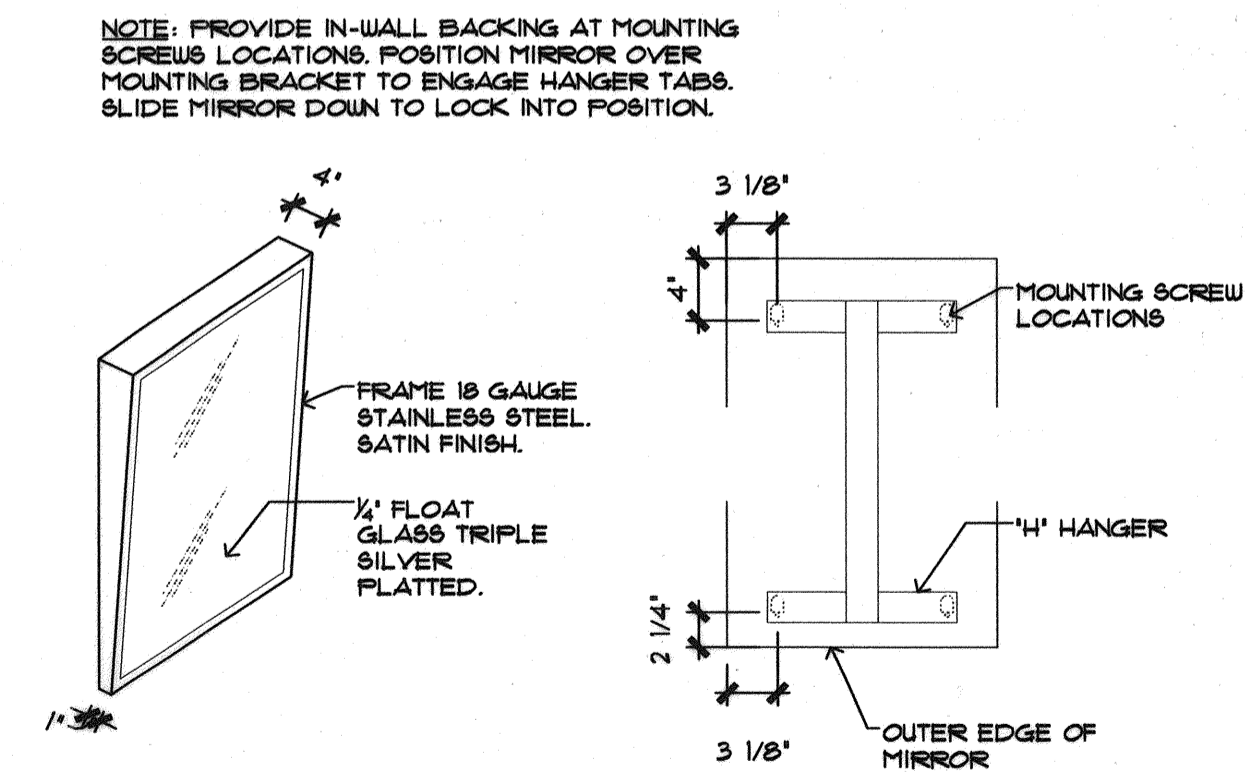
A2 RECESSED 2 x 2 FLUORECENT TROFFER WITH GRID CEILING FRAME	R1 8-3/4" DIAMETER PENDANT MOUNTED FIXTURE
A5 RECESSED 1x4 FLUORECENT TROFFER WITH FLUSH FRAME FOR SUSPENDED GRID CEILINGS.	R2 3-1/2" DIAMETER PENDANT MOUNTED FIXTURE
B1 RECESSED WALL FIXTURE WITH 8" DIAMETER OPEN REFLECTOR	X1 WALL MOUNTED EXIT LIGHT FIXTURE
J1 SURFACE CEILING FLUORECENT FIXTURE WITH PRISMATIC ACRYLIC LENCE	SMOKE DETECTOR
K1 3 FT. FLUORECENT WALL FIXTURE LIGHT WITH DIRECT/INDIRECT DISTRIBUTION	R3 PENDANT MOUNTED FIXTURE WITH FROSTED ACRYLIC DIFFUSER (ABOVE HVAC DUCT)
E2 4 FT. WALL LIGHT WITH DIRECT/INDIRECT DISTRIBUTION	S20 SURFACE MOUNTED CANOPY LIGHT (SEE ELECTRICAL DUGS.)
SMOKE DETECTOR	HVAC DIFFUSER
	HVAC RETURN AIR GRILLE
	SPRINKLER HEAD



**TYPICAL GRABBAR DETAIL**



**REFLECTED CEILING REFERENCES**



**ADA COMPLIANT MIRROR DETAIL**

**RESTROOM ACCESSORIES**

#	DESCRIPTION	MOUNTING HEIGHT AFF. UNLESS OTHER USE NOTED
1	LAVATORY MOUNTED LATHER SOAP VALVE	HCP COUNTER STD HEIGHT
2	RECESSED TOILET SEAT COVER DISPENSER	HCP 44 1/2" T.O.U. STD. 60" T.O.U.
3	TOILET PAPER HOLDER FOR TWO ROLLS	HCP 18" B.O.U. STD. 37" T.O.U.
4	36" STAINLESS STEEL GRAB BAR 1 1/2" DIAMETER CONCEALED MOUNTING	HCP 33" T.O.U. STD.
5	RECESSED NAPKIN - TAMPON DISPENSER	HCP 52" T.O.U. STD. 69" T.O.U.
6	HANDICAP MIRROR	HCP 40" B.O.U. STD. N/A
7	RECESSED COMBINATION PAPER TOWEL DISPENSER AND WASTE RECEPTACLE	HCP 52 3/4" T.O.U. STD. 71" T.O.U.
8	COAT HOOK & BUMPER	HCP 3'-6" STD. 5'-0"
9	SURFACE MOUNTED PAPER TOWEL DISPENSER	HCP 3'-10" T.O.U. STD. N/A
10	SURFACE MOUNTED WASTE RECEPTACLE	HCP 2'-2" T.O.U. STD. N/A
11	42" STAINLESS STEEL GRAB BAR 1 1/2" DIAMETER CONCEALED MOUNTING	HCP 33" T.O.U. STD.
12	MIRROR	HCP ----- STD. ---
13	SURFACE MOUNTED LATHER SOAP DISPENSER	HCP 44" B.O.U. STD. 44" MAX. AFF.
14	BABY CHANGING TABLE	HCP 31" B.O.U. STD.

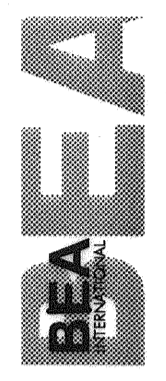
NOTES: T.O.U. = TOP OF UNIT B.O.U. = BOTTOM OF UNIT HCP = HANDICAPPED AFF. = ABOVE FINISHED FLOOR

**GENERAL RESTROOM NOTES:**

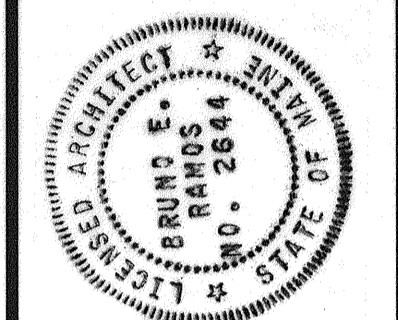
TOILET ROOMS SHALL CONFORM TO ALL ACCESSIBILITY REQUIREMENTS OF THE 'AMERICANS WITH DISABILITIES ACT (ADA)' INCLUDING, BUT NOT LIMITED TO, THE FOLLOWING

- WATER CLOSETS SEAT HEIGHT - 17" - 19" AFF.
- CENTER LINE OF WATER CLOSET - 18" FROM SIDE WALL.
- TOILET PAPER DISPENSER - 36" MAX. FROM REAR WALL, 19" MIN. AFF.
- KNEE CLEARANCE AT LAVATORY - APRON 29" MIN. HT., 8" MIN. DEPTH.
- LAVATORY DEPTH - 17" MIN.
- LAVATORY HOT WATER AND DRAIN PIPES INSULATED WHEREVER EXPOSED.
- LAVATORY RIM SURFACE - 34" MAX. AFF.
- INTERNATIONAL SYMBOL OF ACCESSIBILITY SHALL BE MOUNTED IN THE VICINITY OF MAIN ENTRY

IN ASSOCIATION WITH:  
**BEA CONSULTING ENGINEERS**  
 PERITOVICH, NOTINGHAM & BRACE  
 WINTON SCOTT ARCHITECTS  
 HALEY & ALDRICH



STATE OF MAINE  
 DEPARTMENT OF TRANSPORTATION  
 PROJECT NUMBER 009215.00  
 PIN 009215.00



PROJ. MANAGER	PAUL POTTE
DESIGN-DETAILED	
CHECKED-REVIEWED	
DESIGN-DETAILED2	
REVISIONS 1	
REVISIONS 2	
REVISIONS 3	
REVISIONS 4	
FIELD CHANGES	

DATE: \_\_\_\_\_ BY: \_\_\_\_\_  
 SIGNATURE: \_\_\_\_\_ P. LICENSE NUMBER: ARC 5644  
 DATE: 10/8/2004

CITY OF PORTLAND  
 OCEAN GATEWAY PHASE 1  
 ENLARGED BATHROOM FLOOR PLANS