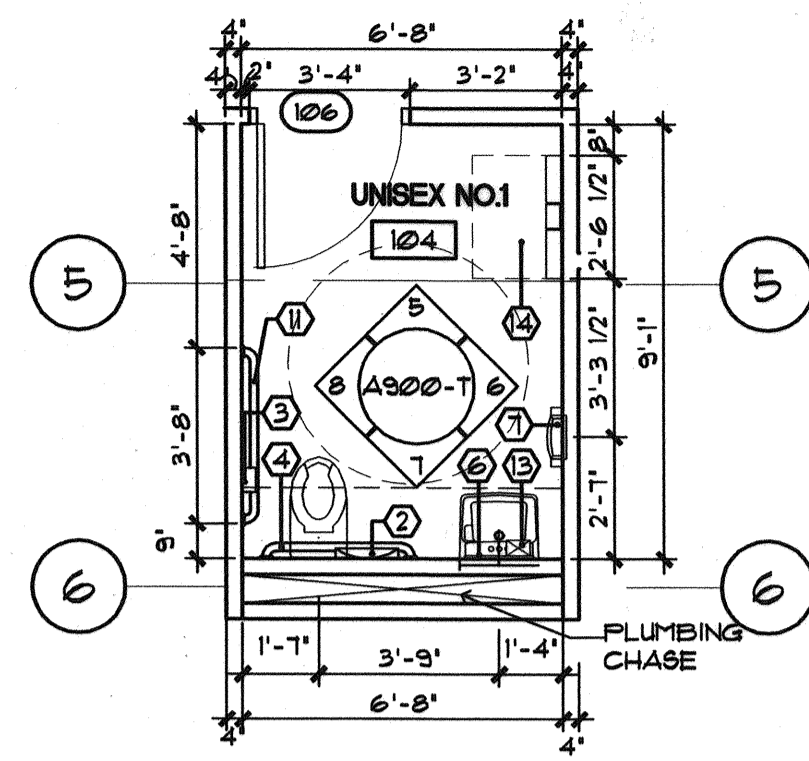
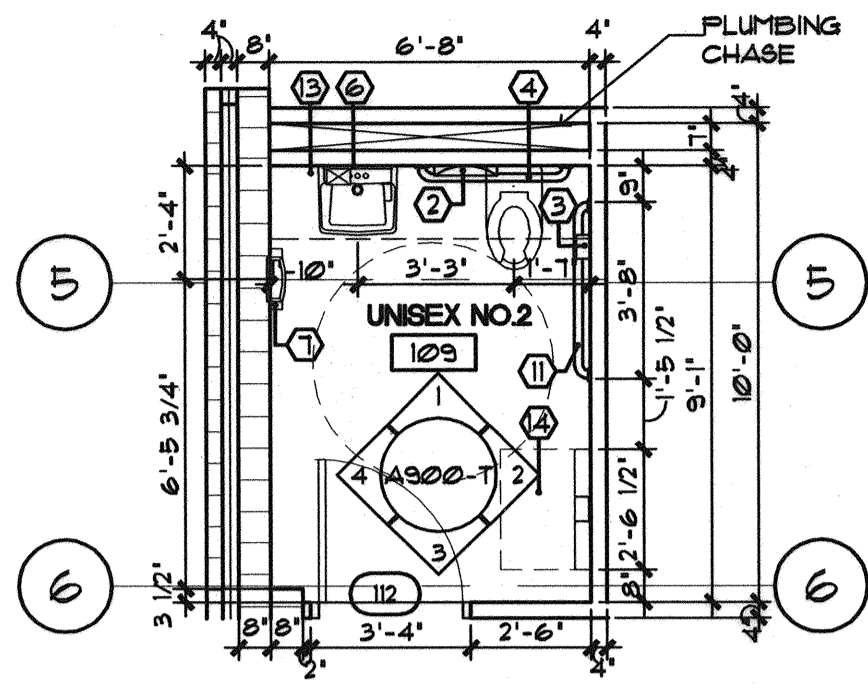
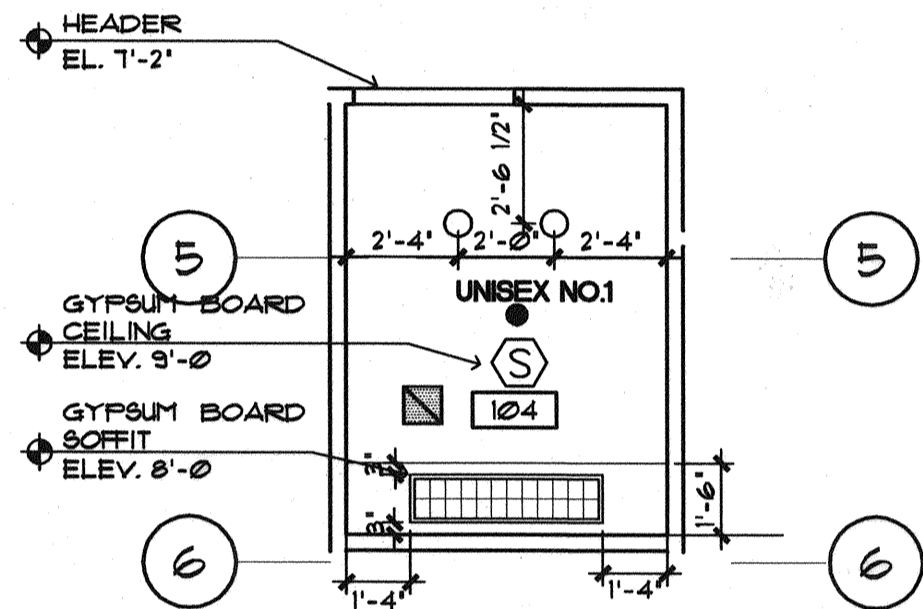
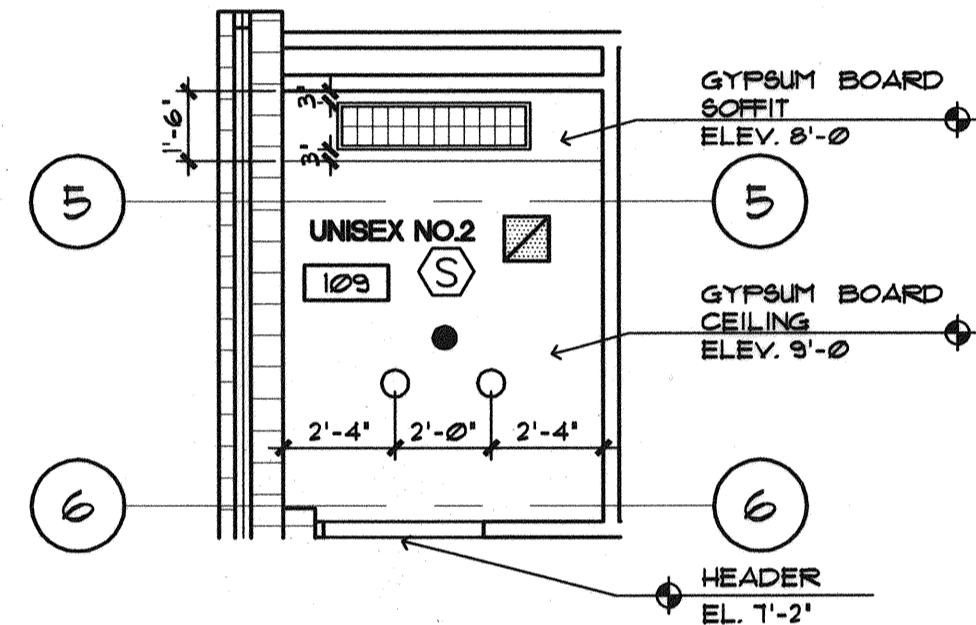


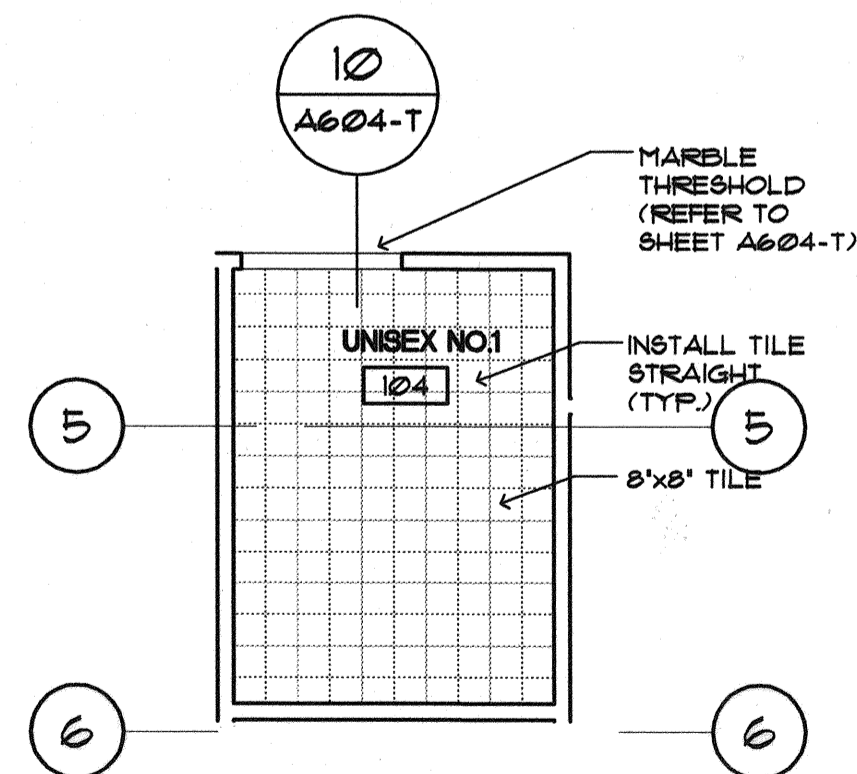
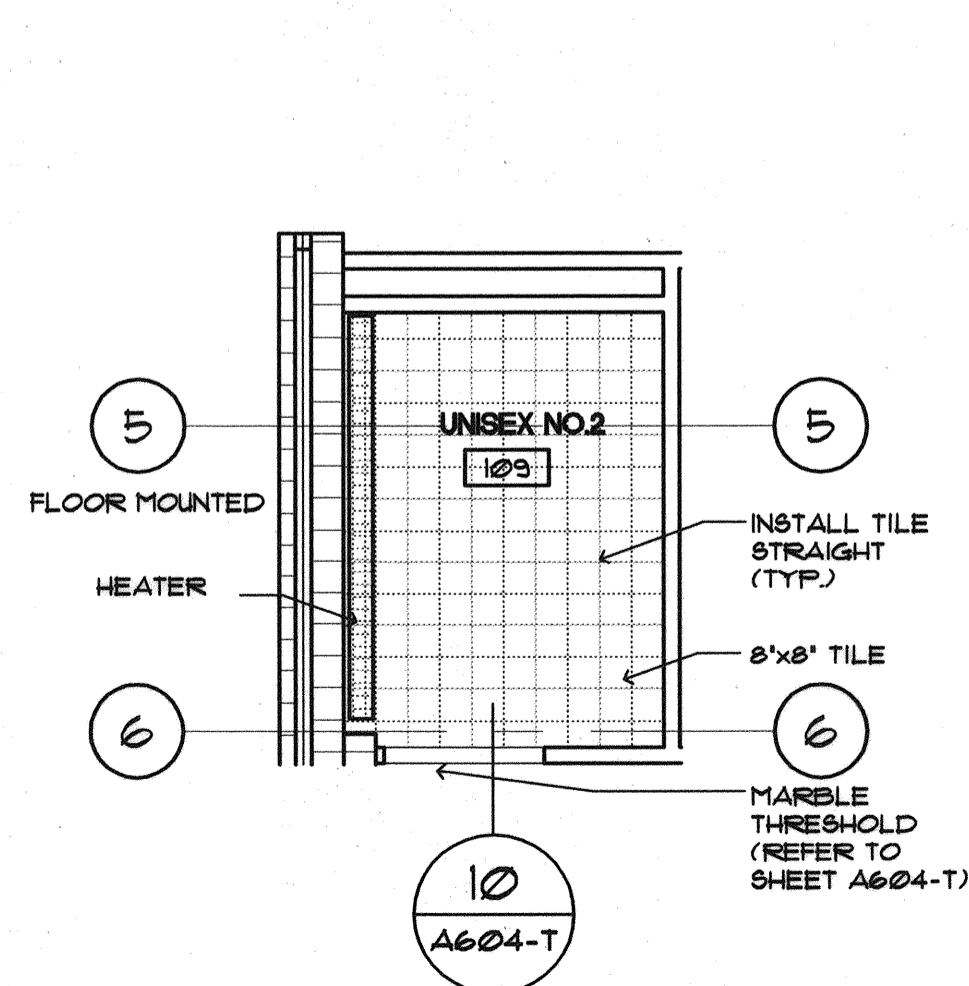
Filename: \\server1\projects\02-0818 Maine Int Ferry Terminal\PHASE 1\Architecture\FINAL CONSTRUCTION DOCUMENTS\TERMINAL BUILDING\20343802-T-A401.dwg, Oct 07, 2004 - 11:54am



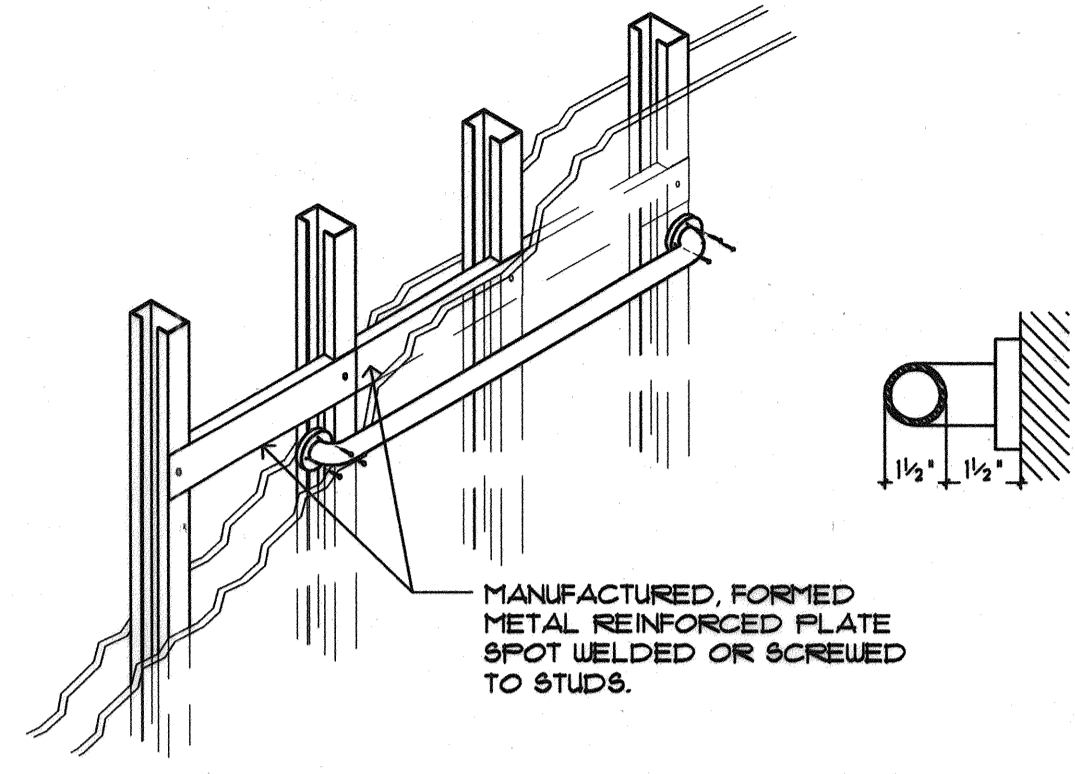
**ENLARGED FIRST FLOOR RESTROOM FLOOR PLAN**  
SCALE: 1/4"=1'-0"



**ENLARGED FIRST FLOOR PUBLIC RESTROOM REFLECTED CEILING PLAN**  
SCALE: 1/4"=1'-0"

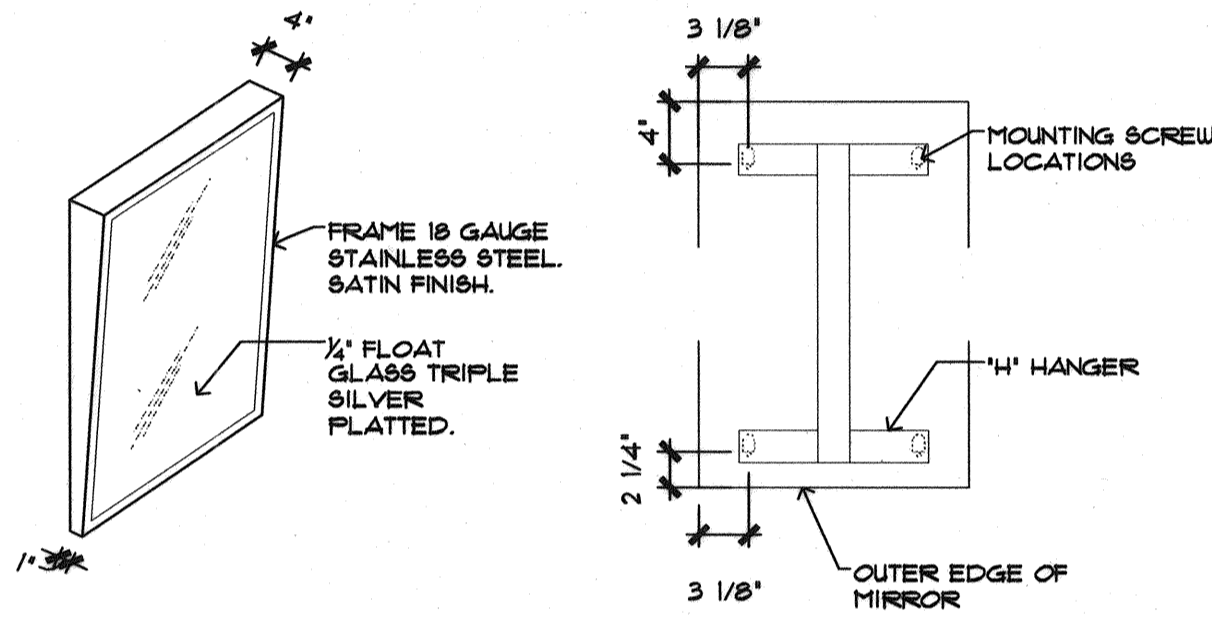


**ENLARGED FIRST FLOOR PUBLIC RESTROOM FLOOR TILE PLAN**  
SCALE: 1/4"=1'-0"

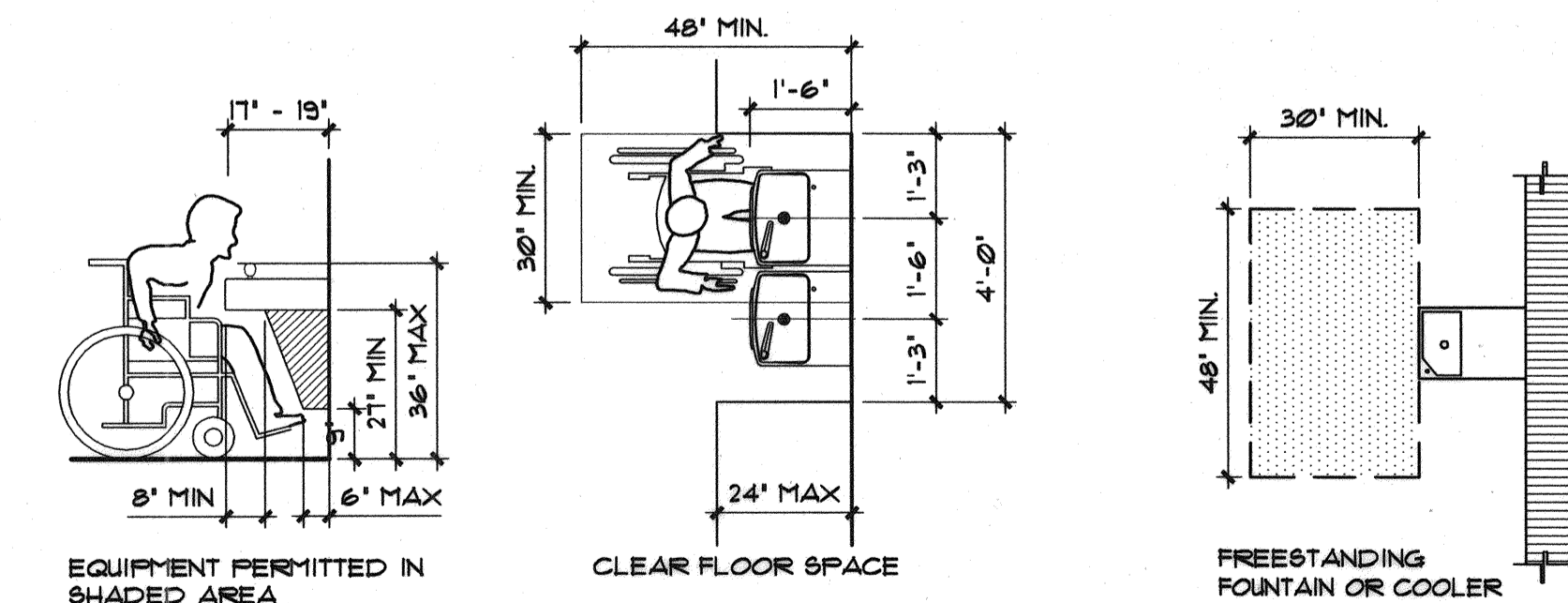


**TYPICAL GRABBAR DETAIL**

NOTE: PROVIDE IN-WALL BACKING AT MOUNTING SCREWS LOCATIONS. POSITION MIRROR OVER MOUNTING BRACKET TO ENGAGE HANGER TABS. SLIDE MIRROR DOWN TO LOCK INTO POSITION.



**ADA COMPLIANT MIRROR DETAIL**



**DRINKING FOUNTAIN**  
SCALE: 1/2"=1'-0"

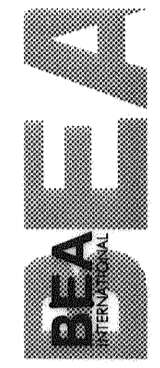
FIXTURE LEGEND	
⊞	SURFACE CEILING FLUORESCENT FIXTURE WITH PRISMATIC ACRYLIC LENCE.
⊞	HYAC DIFFUSER
⊙	SMOKE DETECTOR
●	SPRINKLER HEAD
○	8 1/2" SEMI-RECESSED CANOPY LIGHT (SEE ELECTRICAL DUGS.)

RESTROOM ACCESSORIES		
#	DESCRIPTION	MOUNTING HEIGHT AFF. UNLESS OTHERWISE NOTED
1	LAVATORY MOUNTED LATHER SOAP VALVE	HCF COUNTER STD. HEIGHT
2	RECESSED TOILET SEAT COVER DISPENSER	HCF 44 1/2" T.O.U. STD. 60" T.O.U.
3	TOILET PAPER HOLDER FOR TWO ROLLS	HCF 18" B.O.U. STD. 37" T.O.U.
4	36" STAINLESS STEEL GRAB BAR 1 1/2" DIAMETER CONCEALED MOUNTING	HCF 33" T.O.U. STD.
5	RECESSED NAPKIN - TAMPON DISPENSER	HCF 52" T.O.U. STD. 69" T.O.U.
6	HANDICAP MIRROR	HCF 40" B.O.U. STD. N/A
7	RECESSED COMBINATION PAPER TOWEL DISPENSER AND WASTE RECEPTACLE	HCF 52 1/2" T.O.U. STD. 71" T.O.U.
8	COAT HOOK & BUMPER	HCF 3'-6" STD. 5'-0"
9	SURFACE MOUNTED PAPER TOWEL DISPENSER	HCF 3'-10" T.O.U. STD. N/A
10	SURFACE MOUNTED WASTE RECEPTACLE	HCF 2'-2" T.O.U. STD. N/A
11	42" STAINLESS STEEL GRAB BAR 1 1/2" DIAMETER CONCEALED MOUNTING	HCF 33" T.O.U. STD.
12	MIRROR	HCF ----- STD. ---
13	SURFACE MOUNTED LATHER SOAP DISPENSER	HCF 44" B.O.U. STD. 44" MAX. B.O.U.
14	BABY CHANGING TABLE	HCF 31" B.O.U. STD.

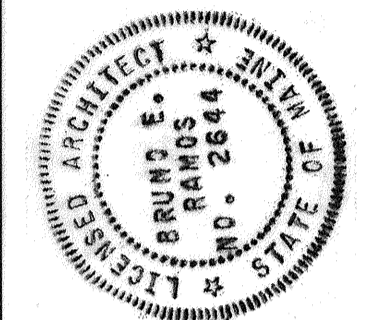
NOTES: T.O.U. = TOP OF UNIT HCF = HANDICAPPED  
B.O.U. = BOTTOM OF UNIT AFF. = ABOVE FINISHED FLOOR

GENERAL RESTROOM NOTES:	
TOILET ROOMS SHALL CONFORM TO ALL ACCESSIBILITY REQUIREMENTS OF THE 'AMERICANS WITH DISABILITIES ACT (ADA)' INCLUDING, BUT NOT LIMITED TO, THE FOLLOWING	
A.	WATER CLOSETS SEAT HEIGHT - 17" - 19" AFF.
B.	CENTER LINE OF WATER CLOSET - 18" FROM SIDE WALL.
C.	TOILET PAPER DISPENSER - 36" MAX. FROM REAR WALL, 19" MIN. AFF.
D.	KNEE CLEARANCE AT LAVATORY - APRON 29" MIN. HT., 8" MIN. DEPTH.
E.	LAVATORY DEPTH - 17" MIN.
F.	LAVATORY HOT WATER AND DRAIN PIPES INSULATED WHEREVER EXPOSED.
G.	LAVATORY RIM SURFACE - 34" MAX. AFF.
H.	INTERNATIONAL SYMBOL OF ACCESSIBILITY SHALL BE MOUNTED IN THE VICINITY OF MAIN ENTRY

IN ASSOCIATION WITH:  
CORRELL/CUMBER CONSULTING ENGINEERS  
WINTON SCOTT ARCHITECTS  
HALEY & ALDRICH



STATE OF MAINE  
DEPARTMENT OF TRANSPORTATION  
PROJECT NUMBER 009215.00



PROJ. MANAGER PAUL POTTLE  
DATE  
BY  
CHECKED-REVIEWED  
DESIGN2-DETAILED2  
DESIGN3-DETAILED3  
REVISIONS 1  
REVISIONS 2  
REVISIONS 3  
REVISIONS 4  
FIELD CHANGES

SIGNATURE  
P. LICENCE NUMBER ARC 2644  
DATE 10/18/2004

CITY OF PORTLAND  
OCEAN GATEWAY PHASE 1

ENLARGED BATHROOM FLOOR PLANS

A401-T