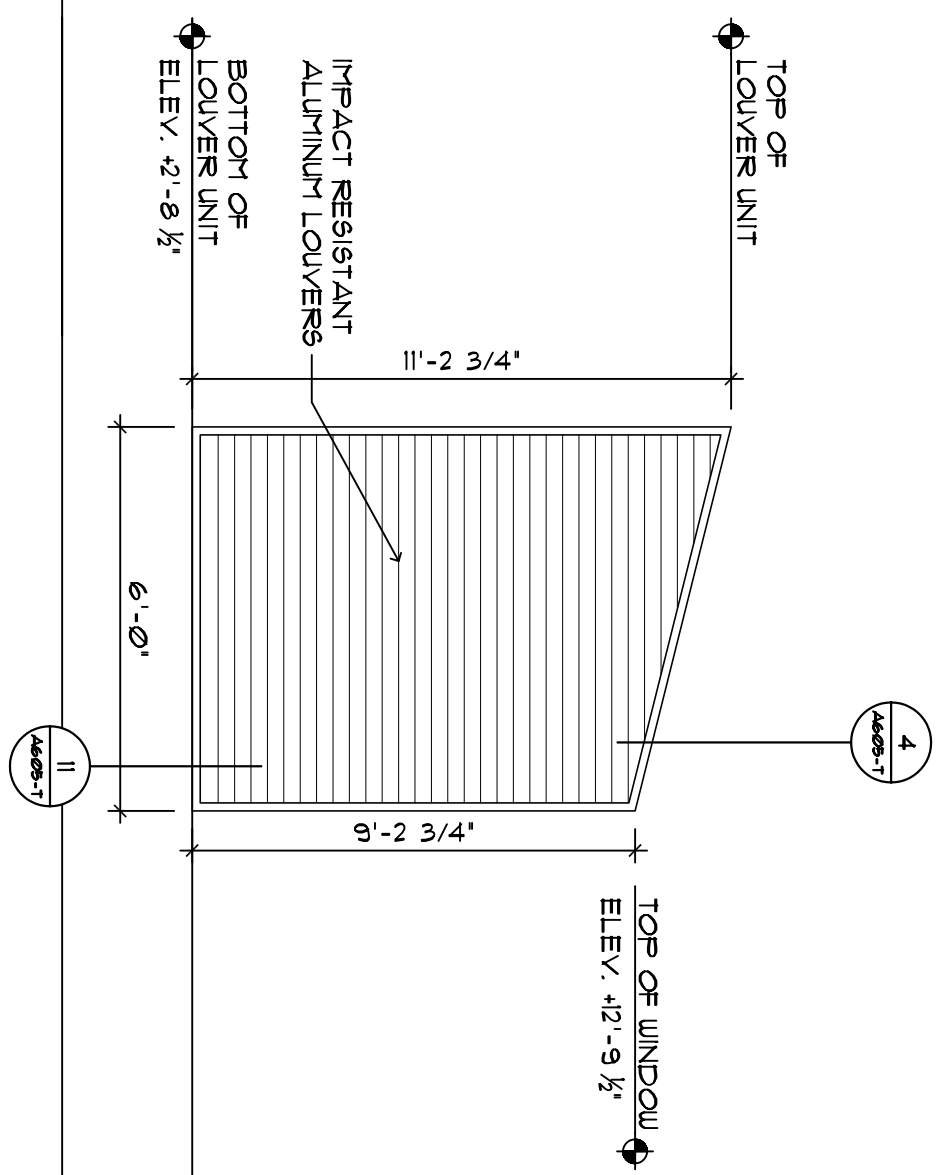
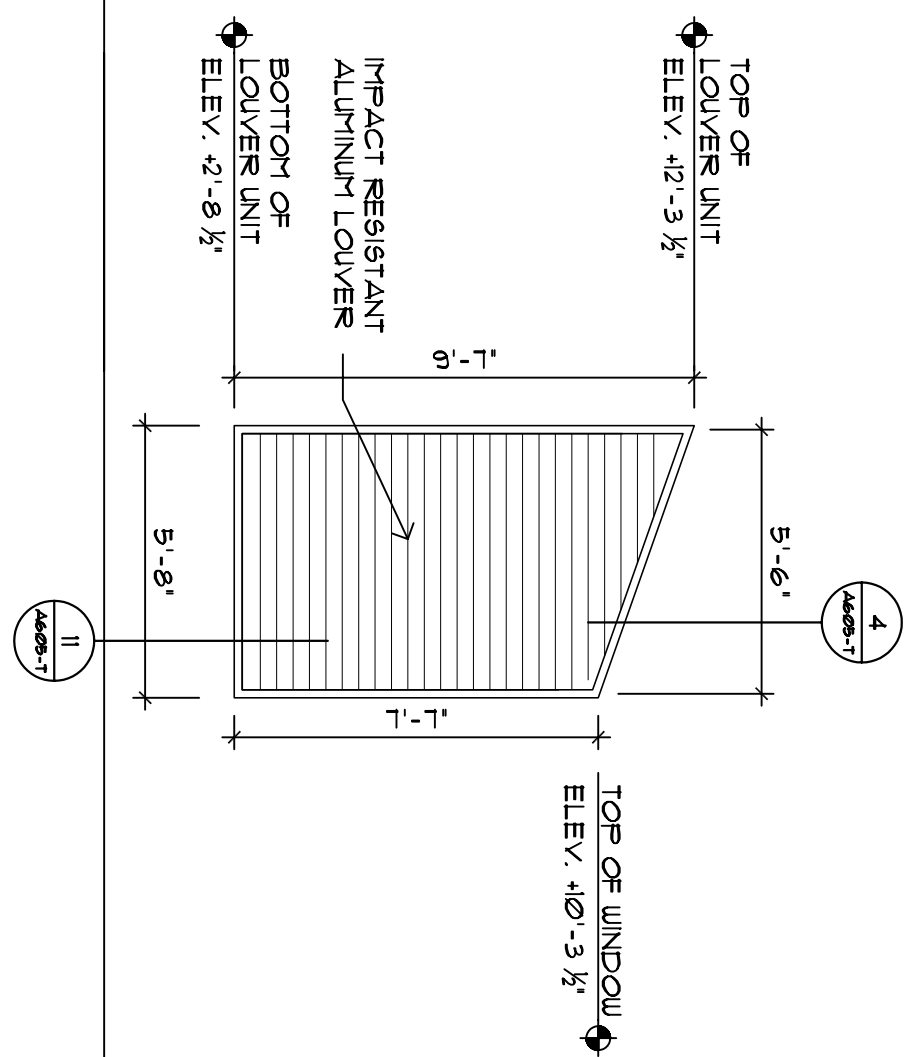


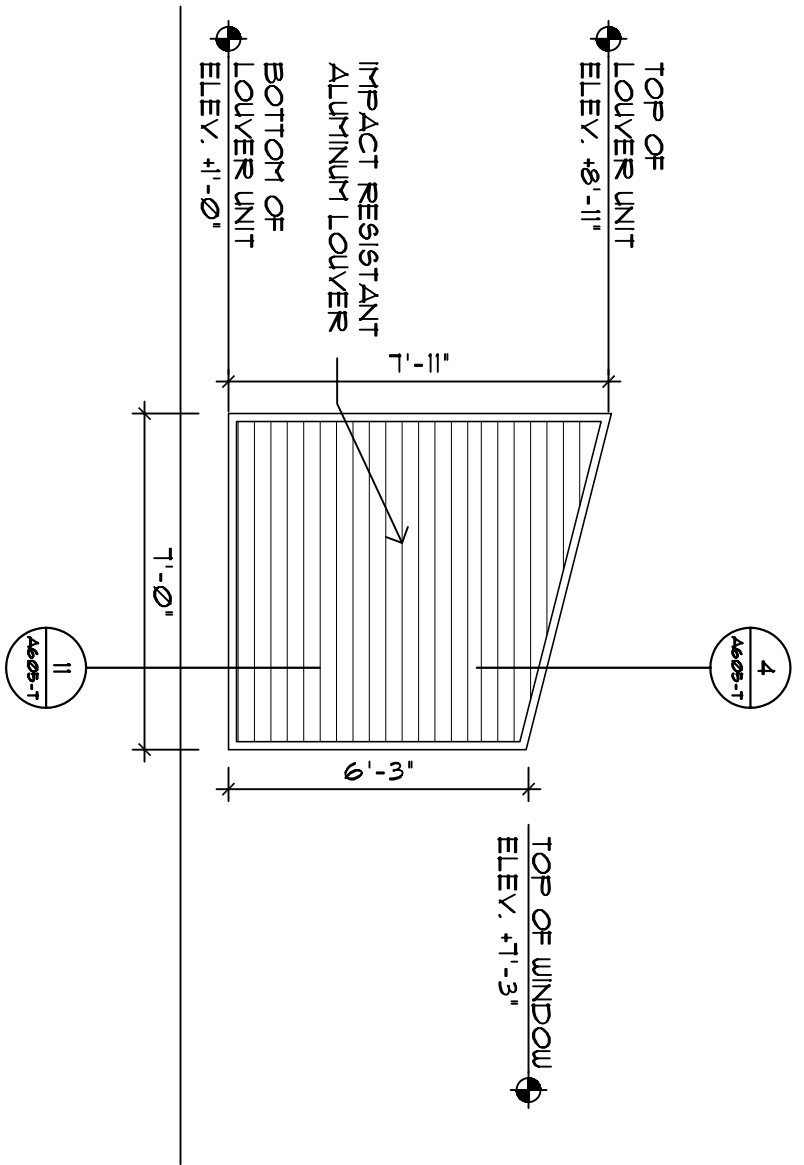
**LOUVER UNIT TYPE 'K'**  
SCALE: 1/4" = 1'-0"  
TOTAL OF 1



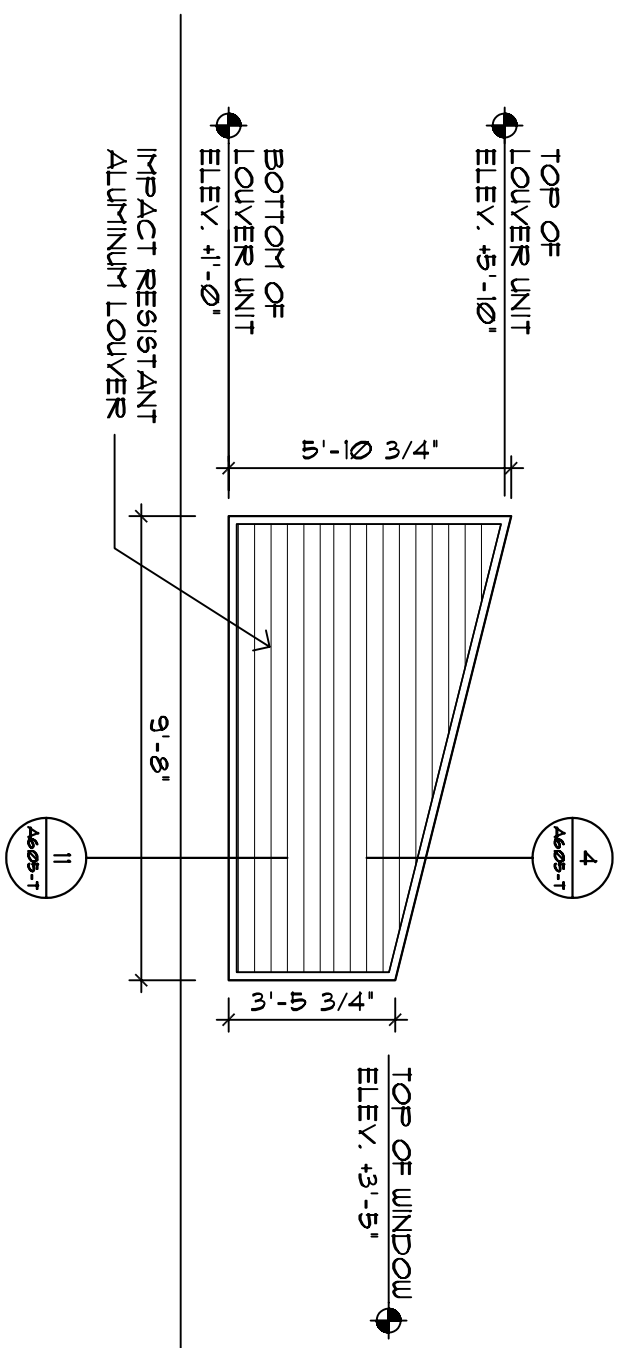
**LOUVER UNIT TYPE 'L'**  
SCALE: 1/4" = 1'-0"  
TOTAL OF 1



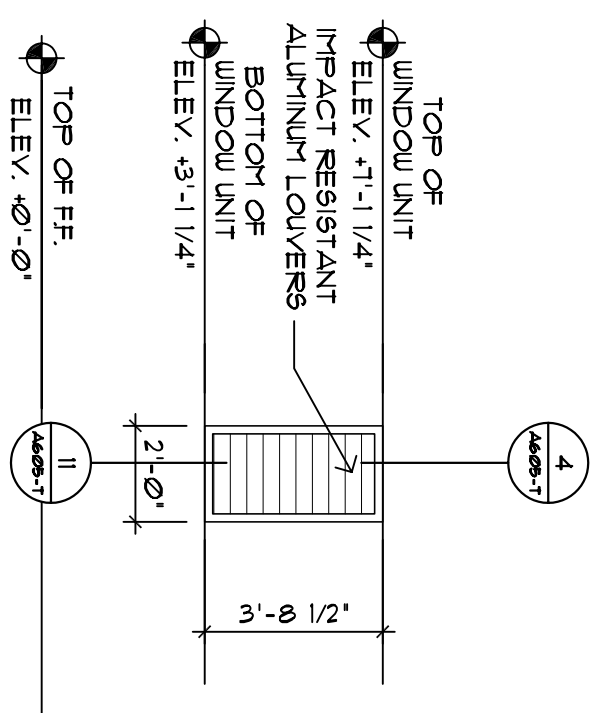
**LOUVER UNIT TYPE 'M'**  
SCALE: 1/4" = 1'-0"  
TOTAL OF 1



**LOUVER UNIT TYPE 'N'**  
SCALE: 1/4" = 1'-0"  
TOTAL OF 1



**LOUVER UNIT TYPE 'O'**  
SCALE: 1/4" = 1'-0"  
TOTAL OF 1



**LOUVER UNIT TYPE 'P'**  
SCALE: 1/4" = 1'-0"  
TOTAL OF 2

**BEA** INTERNATIONAL  
IN ASSOCIATION WITH:  
GORRILL-PALMER CONSULTING ENGINEERS  
PERATROVICH, NOTTINGHAM, & DRAGE  
WINTON SCOTT ARCHITECTS  
HALEY & ALDRICH

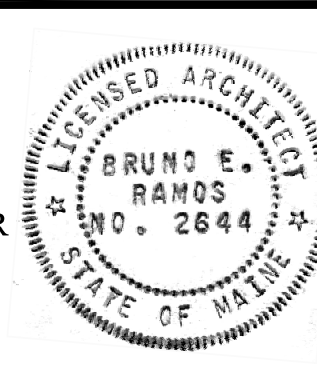
STATE OF MAINE  
DEPARTMENT OF TRANSPORTATION

PROJECT NUMBER 009215.00

PIN  
009215.00

PROJ. MANAGER PAUL POTTLE	BY	DATE
DESIGN-DETAILED		
CHECKED-REVIEWED		
DESIGN2-DETAILED2		
DESIGN3-DETAILED3		
REVISIONS 1	VAAP 22 DESIGN CHANGE	10/15/05
REVISIONS 2		
REVISIONS 3		
REVISIONS 4		
FIELD CHANGES		

SIGNATURE  
*[Signature]*  
P. LICENCE NUMBER  
DATE 10/15/05



CITY OF PORTLAND  
OCEAN GATEWAY PHASE 1  
WINDOW SYSTEM ELEVATIONS

A308-T