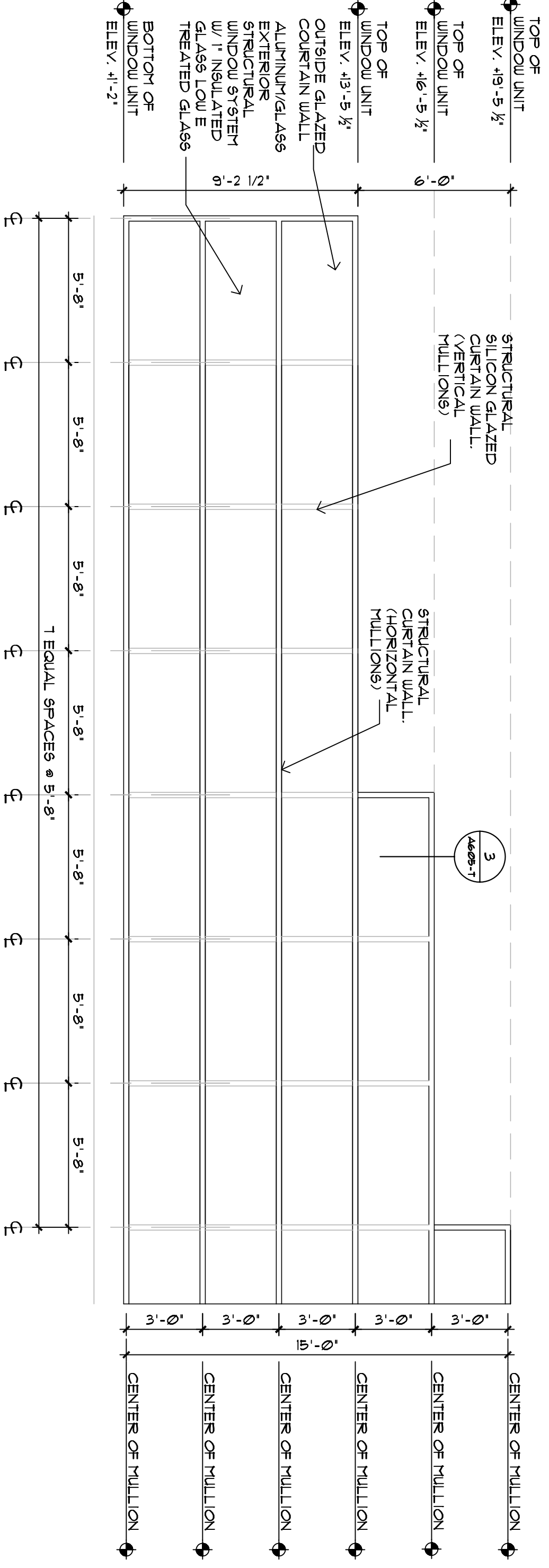
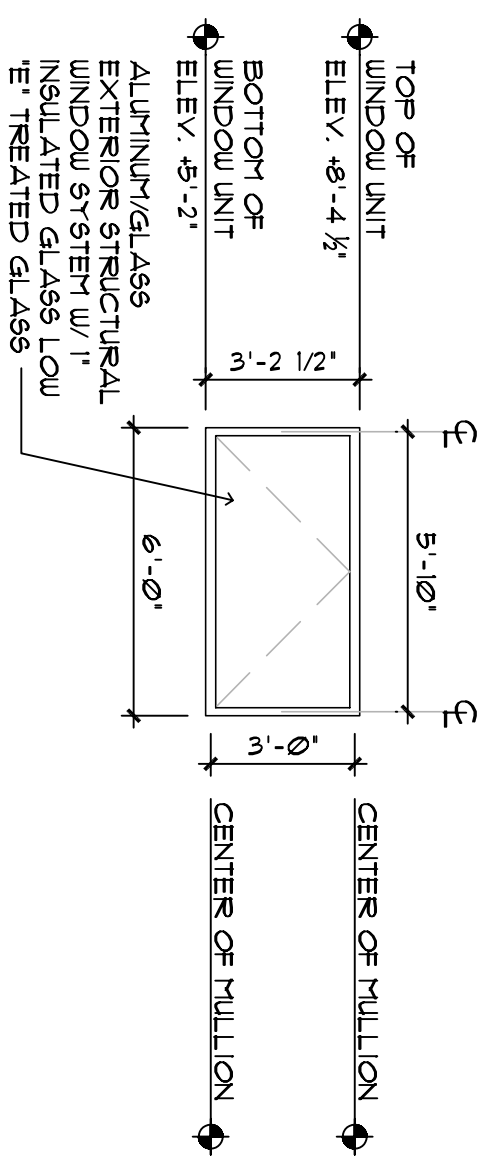


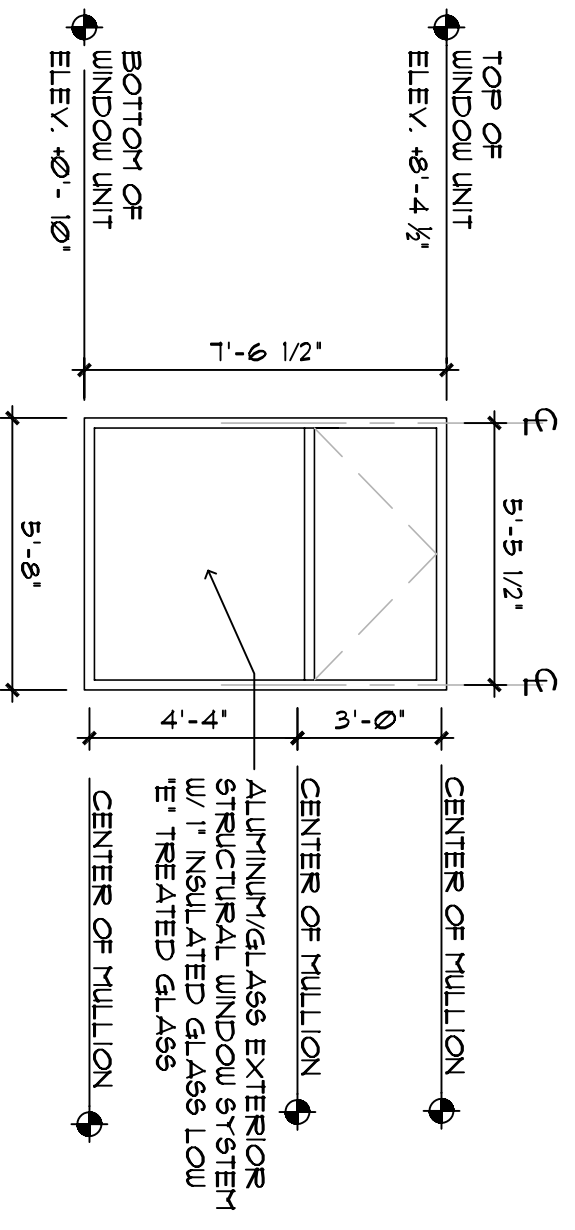
WINDOW UNIT TYPE 'H'
SCALE: 1/8" = 1'-0"
TOTAL OF 1



WINDOW UNIT TYPE 'G'
SCALE: 1/4" = 1'-0"
TOTAL OF 1



WINDOW UNIT TYPE 'I'
SCALE: 1/4" = 1'-0"
TOTAL OF 1



WINDOW UNIT TYPE 'J'
SCALE: 1/4" = 1'-0"
TOTAL OF 1

BEA INTERNATIONAL IN ASSOCIATION WITH:
GORRILL-PALMER CONSULTING ENGINEERS
PERATROVICH, NOTTINGHAM, & DRAGE
WINTON SCOTT ARCHITECTS
HALEY & ALDRICH

STATE OF MAINE
DEPARTMENT OF TRANSPORTATION

PROJECT NUMBER 009215.00

PIN
009215.00



SIGNATURE
P. LICENCE NUMBER
DATE 10/15/05

PROJ. MANAGER PAUL POTTLE	BY	DATE
DESIGN-DETAILED		
CHECKED-REVIEWED		
DESIGN2-DETAILED2		
DESIGN3-DETAILED3		
REVISIONS 1	VAAP 22 DESIGN CHANGE	10/15/05
REVISIONS 2		
REVISIONS 3		
REVISIONS 4		
FIELD CHANGES		

CITY OF PORTLAND
OCEAN GATEWAY PHASE 1
WINDOW SYSTEM ELEVATIONS

A307-T