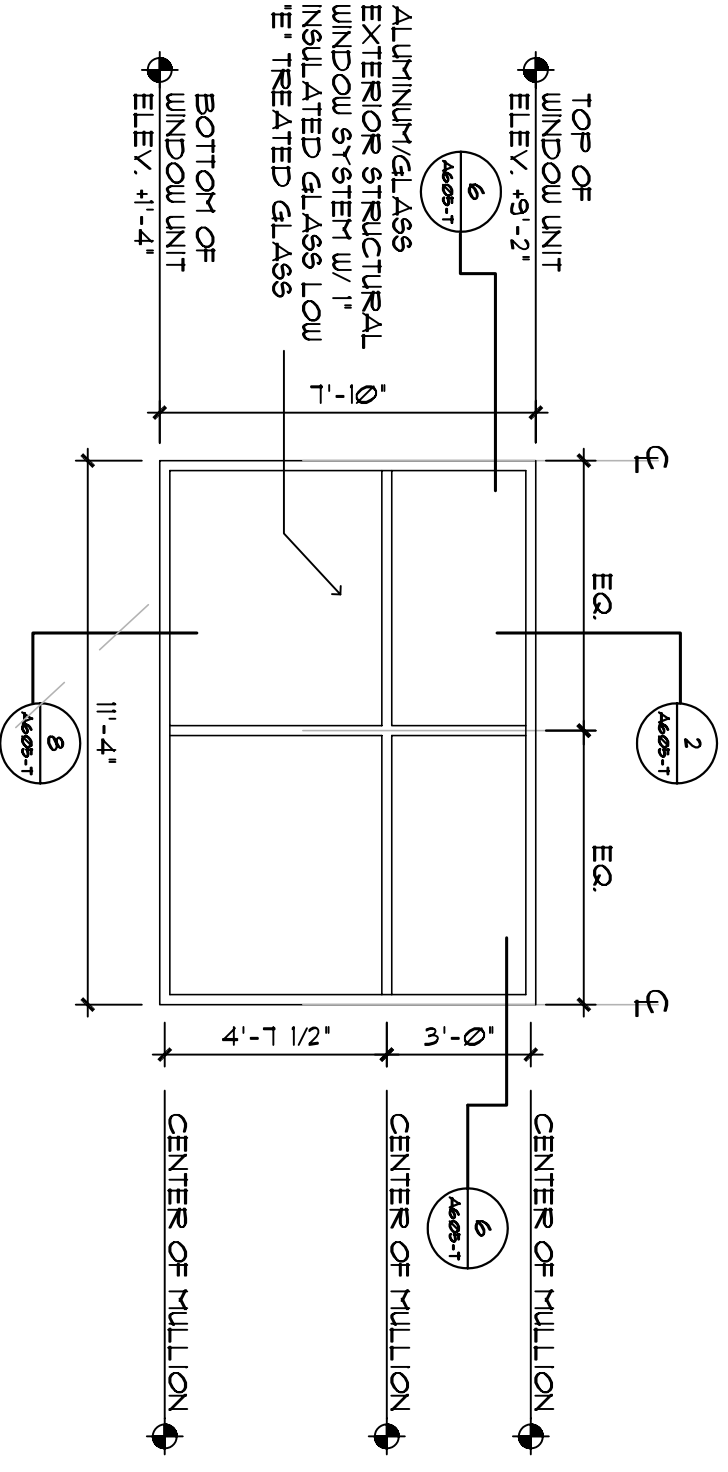
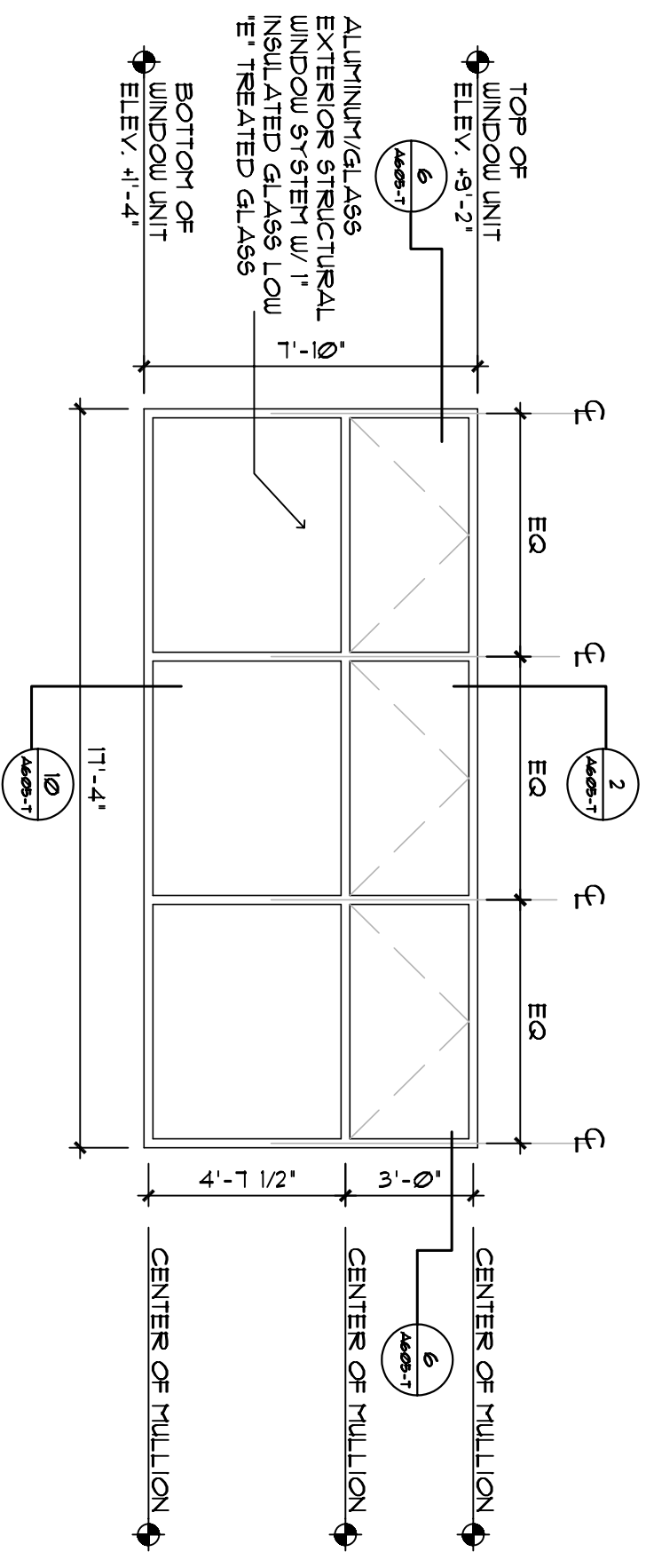


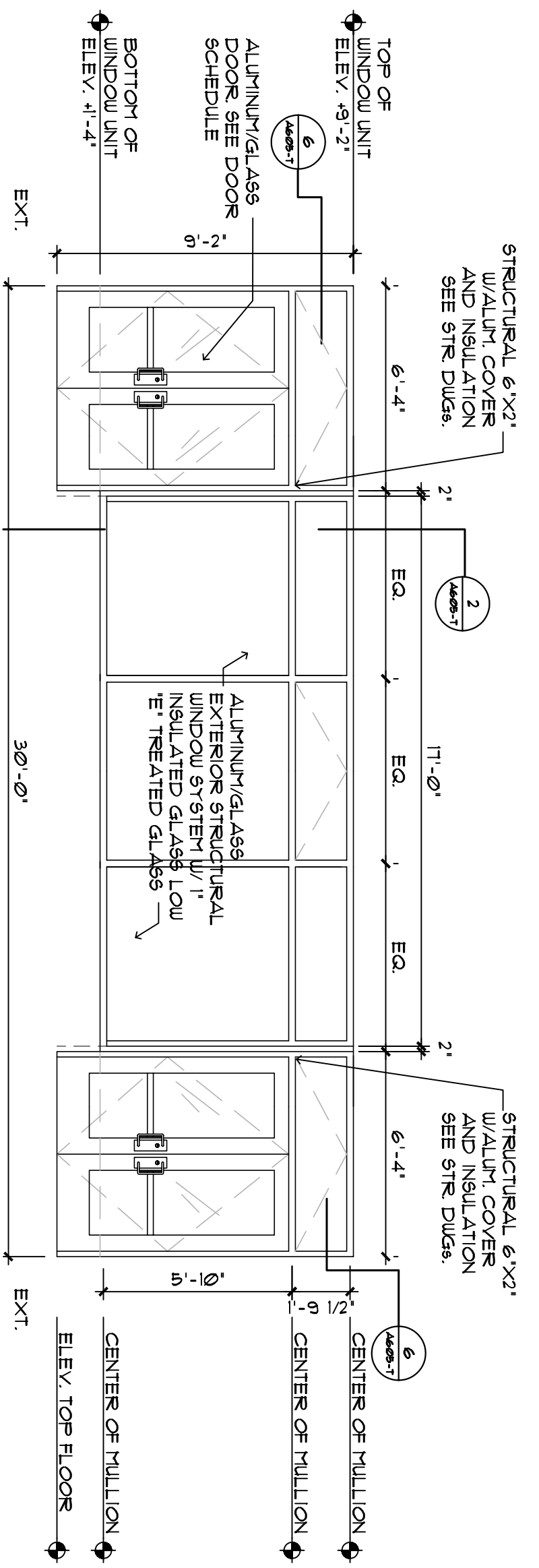
**WINDOW UNIT TYPE 'A'**  
SCALE: 1/4" = 1'-0"  
TOTAL OF 1



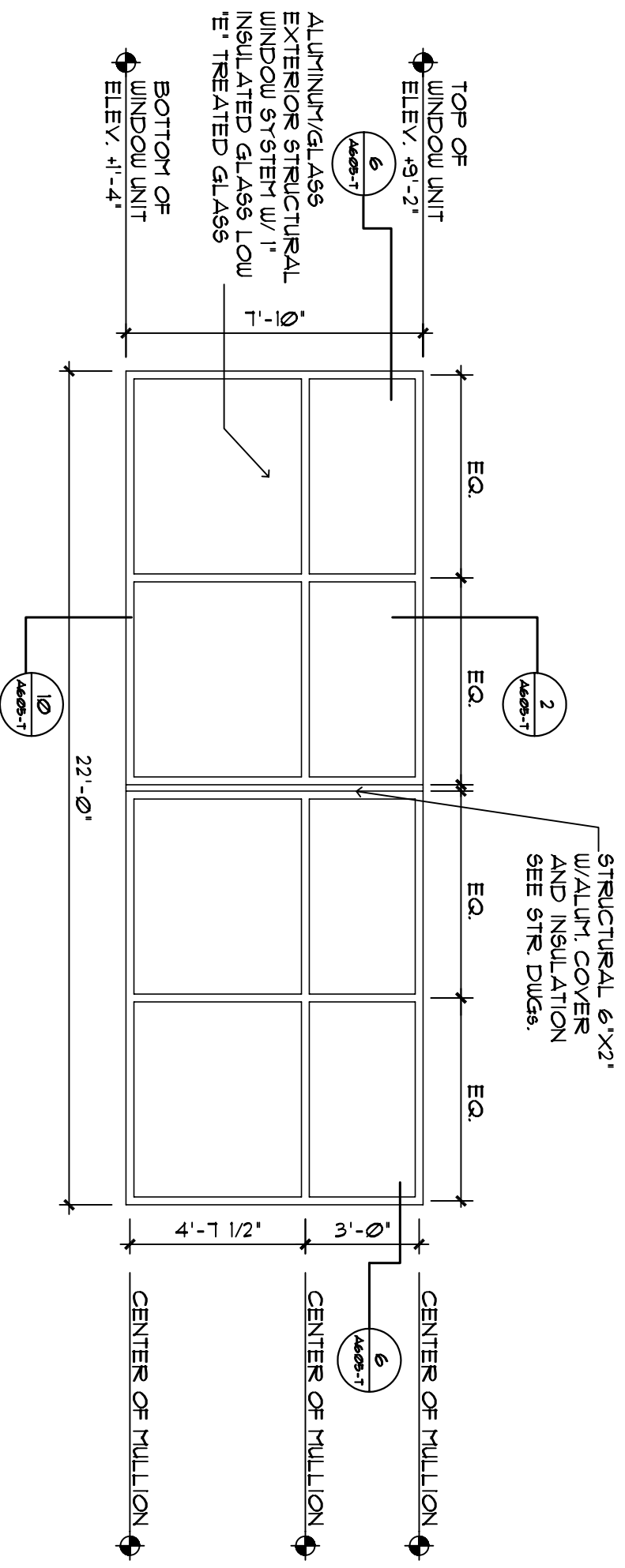
**WINDOW UNIT TYPE 'C'**  
SCALE: 1/4" = 1'-0"  
TOTAL OF 1



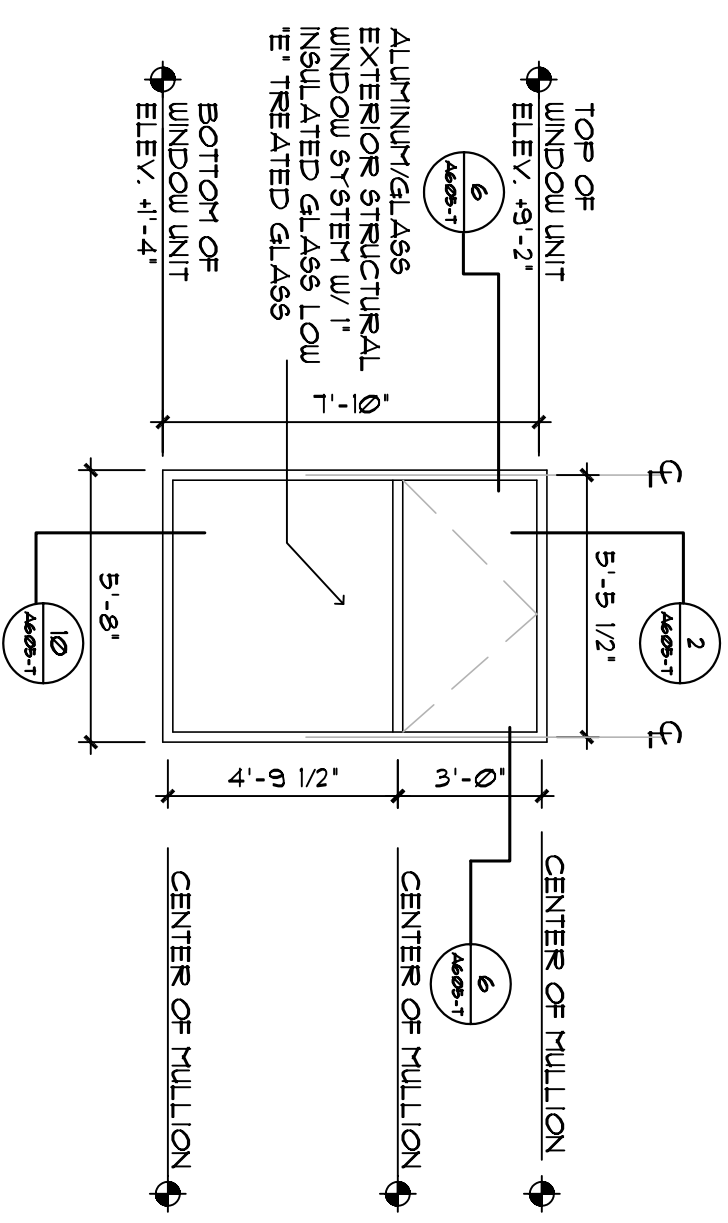
**WINDOW UNIT TYPE 'E'**  
SCALE: 1/4" = 1'-0"  
TOTAL OF 2



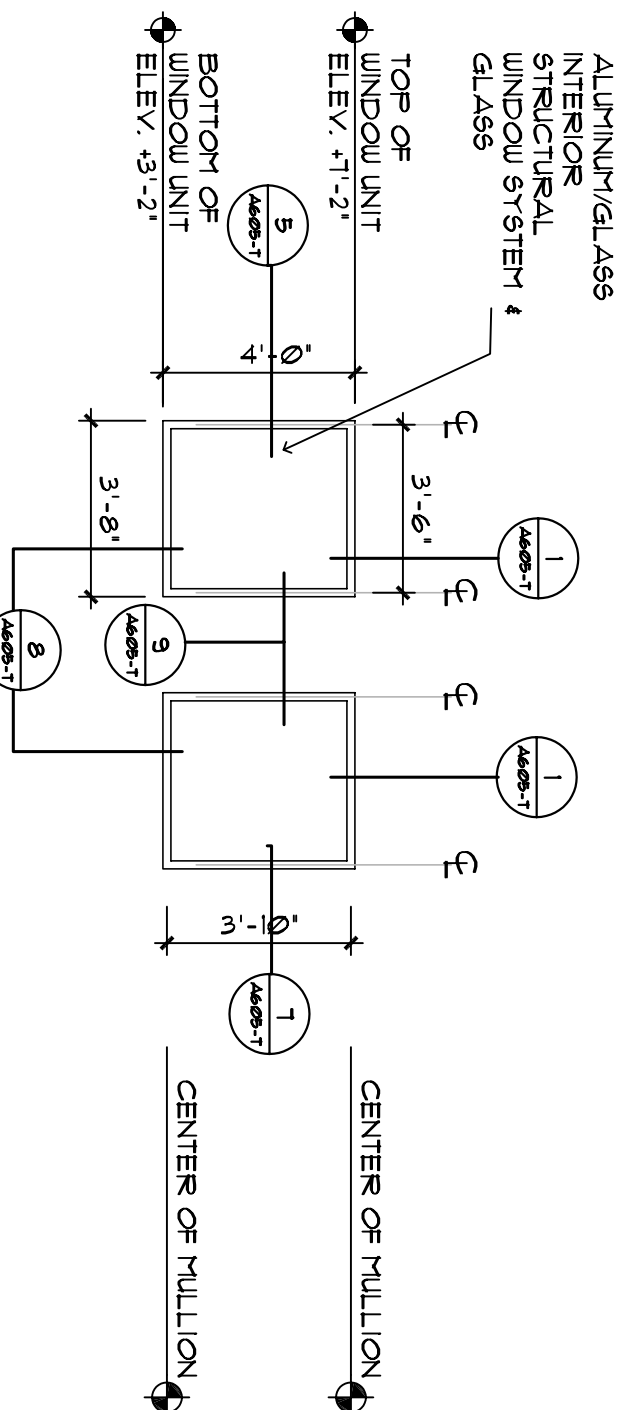
**WINDOW UNIT TYPE 'B'**  
SCALE: 1/4" = 1'-0"  
TOTAL OF 1



**WINDOW UNIT TYPE 'D'**  
SCALE: 1/4" = 1'-0"  
TOTAL OF 2



**WINDOW UNIT TYPE 'F'**  
SCALE: 1/4" = 1'-0"  
TOTAL OF 1



**WINDOW UNIT TYPE 'Q'**  
SCALE: 1/4" = 1'-0"  
TOTAL OF 2

IN ASSOCIATION WITH:  
GORRILL-PALMER CONSULTING ENGINEERS  
PERATROVICH, NOTTINGHAM, & DRAGE  
WINTON SCOTT ARCHITECTS  
HALEY & ALDRICH

**BEA**  
INTERNATIONAL

STATE OF MAINE  
DEPARTMENT OF TRANSPORTATION

PROJECT NUMBER 009215.00

PIN  
009215.00



SIGNATURE  
P. LICENCE NUMBER  
DATE 10/15/05

PROJ. MANAGER	PAUL POTTLE	BY	DATE
DESIGN-DETAILED			
CHECKED-REVIEWED			
DESIGN2-DETAILED2			
DESIGN3-DETAILED3			
REVISIONS 1	VAAP 22 DESIGN CHANGE		10/15/05
REVISIONS 2			
REVISIONS 3			
REVISIONS 4			
FIELD CHANGES			

CITY OF PORTLAND  
OCEAN GATEWAY PHASE 1

WINDOW SYSTEM ELEVATIONS

A306-T