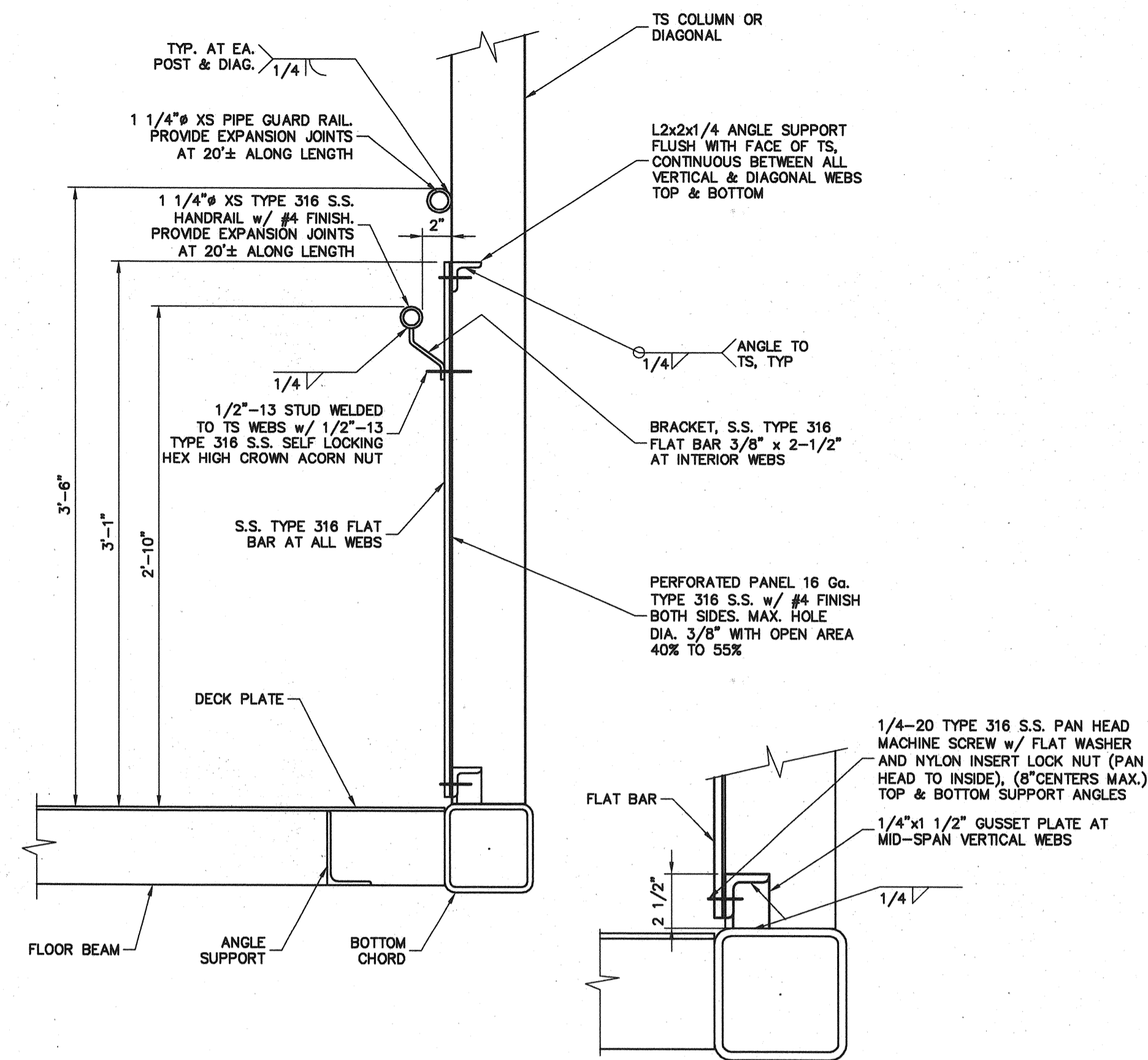
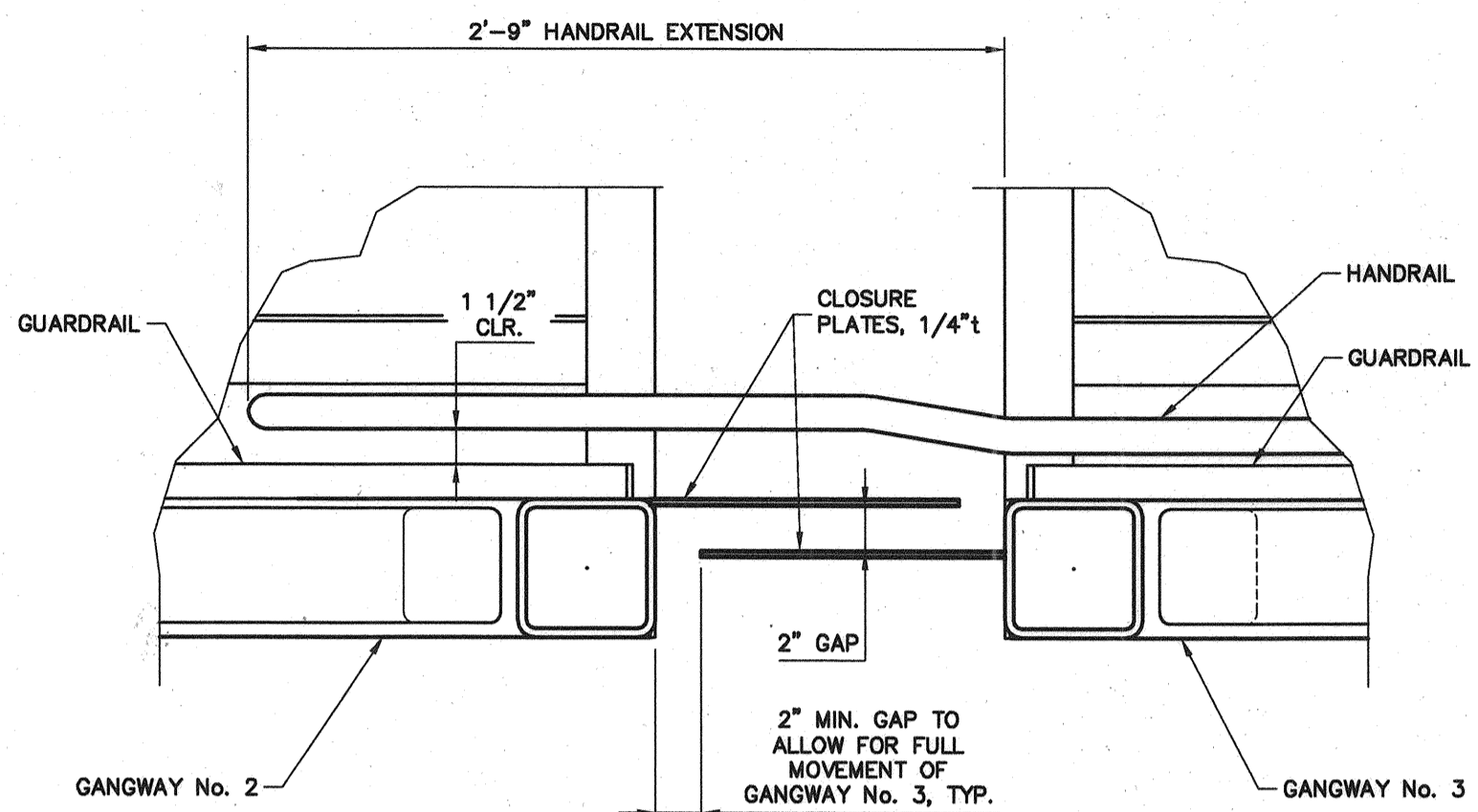


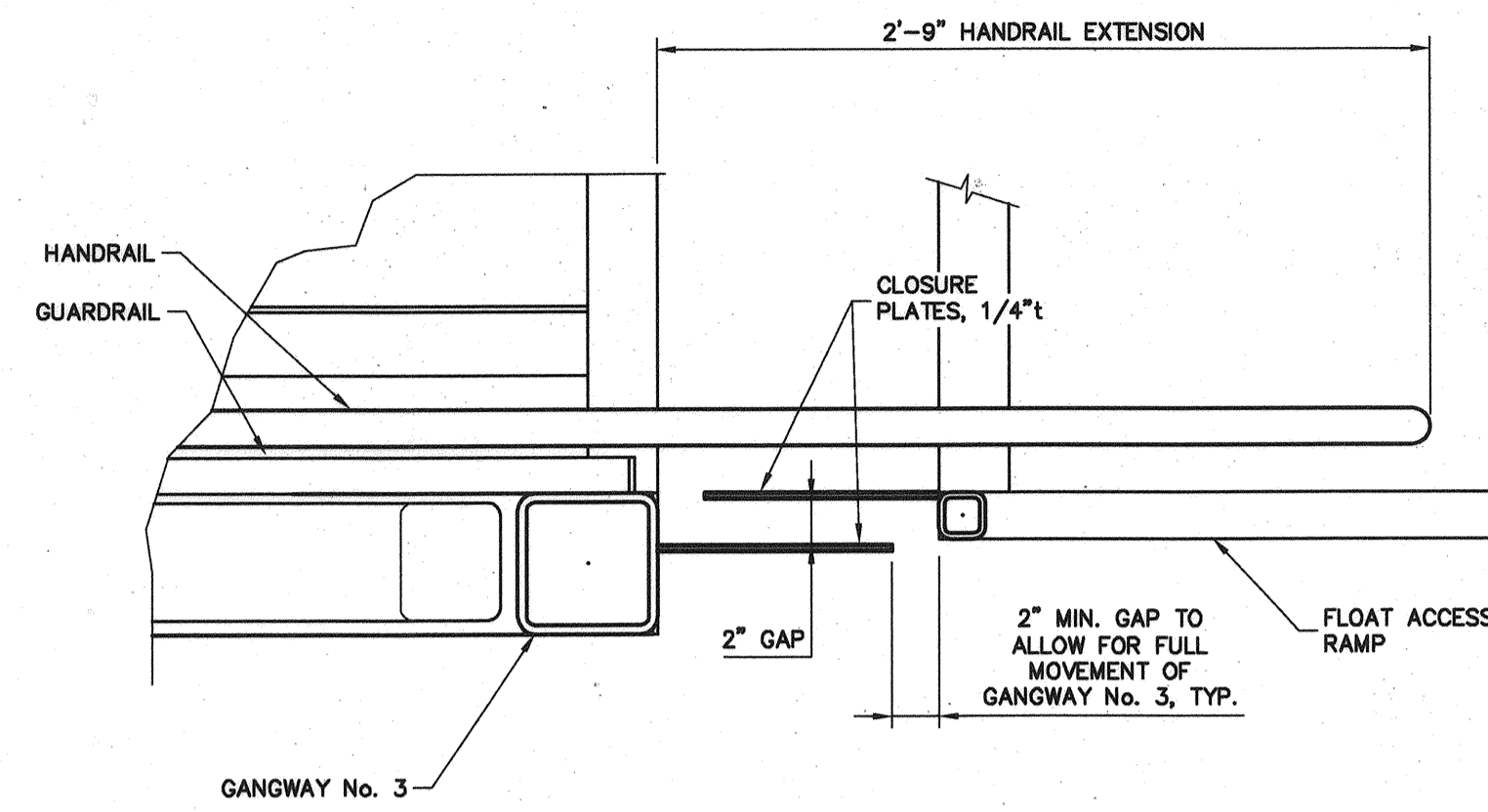
9/30/04  
 Filename: 20343802-M-W314-ALT-100



1 HANDRAIL  
 W311-M

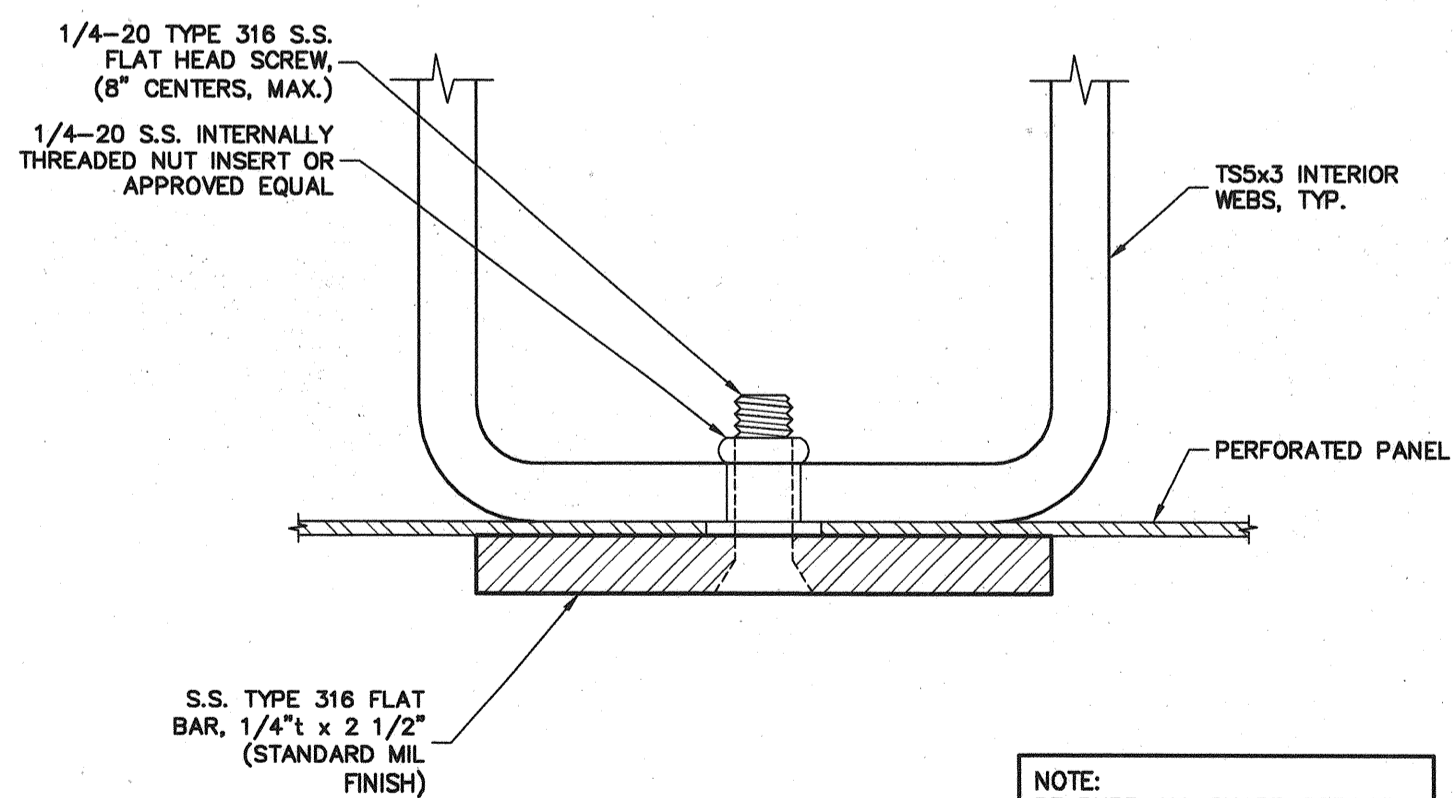


SECTION D  
 W309-M  
 (W311-M)



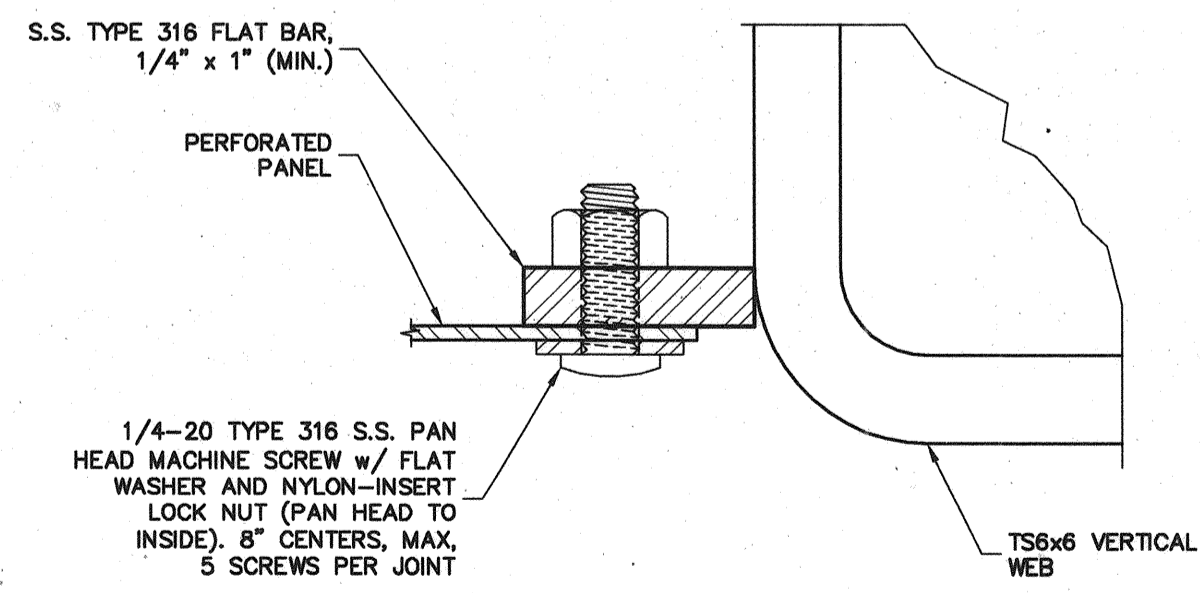
SECTION E  
 W311-M

NOTE:  
 WELD ALL JOINTS WITH 3/16" FILLET WELD, OR EQUIVALENT BEVEL WELD ALL AROUND UNLESS NOTED OTHERWISE.  
 AFTER INSTALLATION, FIELD VERIFY THAT ALL OPENINGS TO 3'-6" ABOVE DECK DO NOT ALLOW A 4" SPHERE TO PASS THROUGH. PROVIDE ADDITIONAL BARRIER AS REQUIRED.

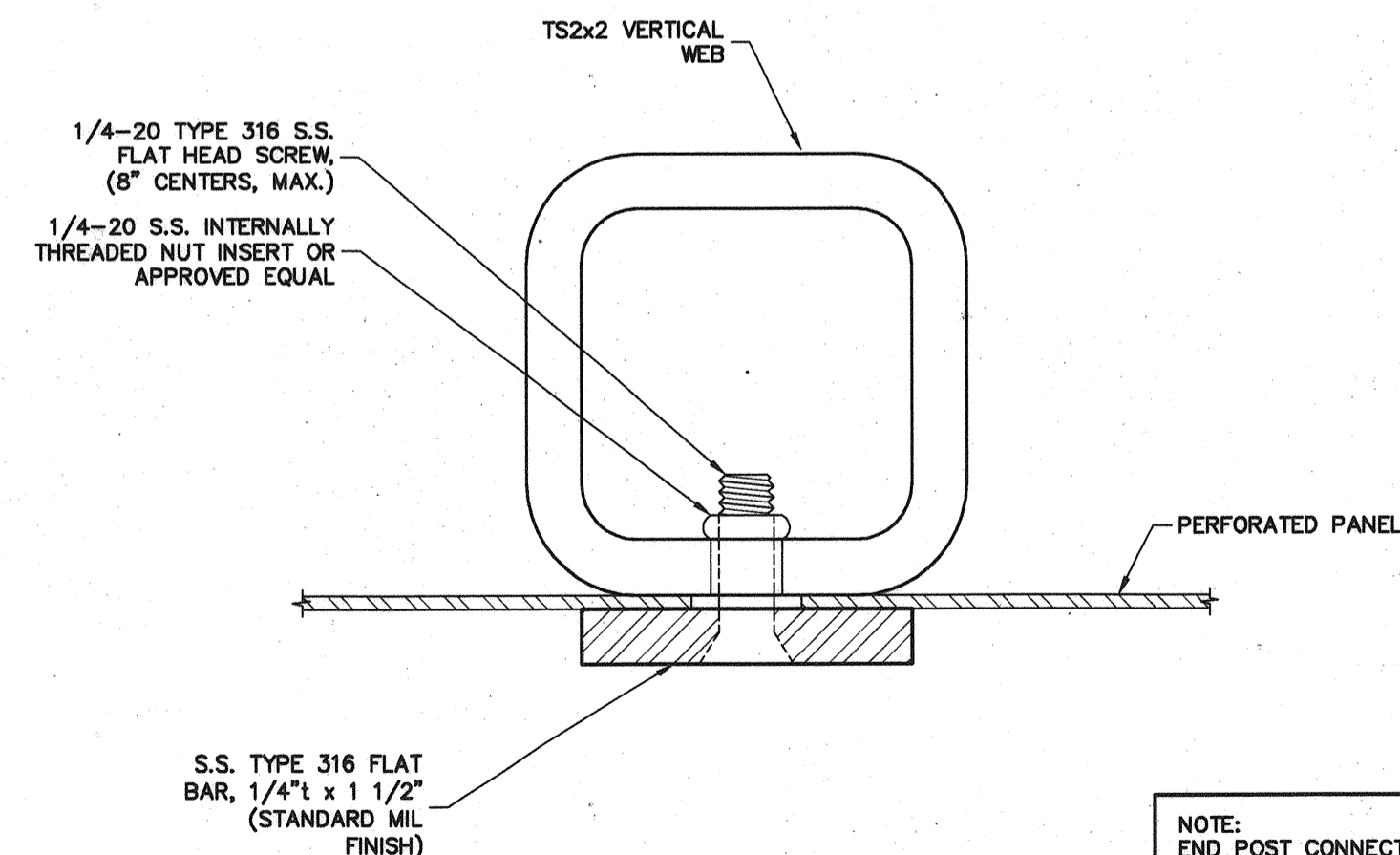


NOTE:  
 DE BURR ALL SHARP CORNERS. USE A SEALANT IN ALL SCREW HOLES INTO STEEL TUBES TO PREVENT MOISTURE COLLECTION.

SECTION C  
 W309-M



SECTION F  
 W309-M



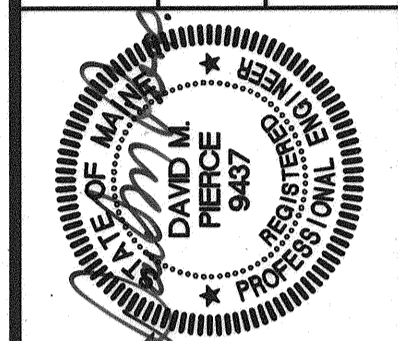
NOTE:  
 END POST CONNECTION SIMILAR.

SECTION G  
 W313-M

811 First Avenue, Suite 570  
 Seattle, Washington 98104  
 Phone: (206) 424-1387  
 Fax: (206) 424-1386  
 E-Mail: info@prides.com

**CONSULTING ENGINEERS Incorporated**

STATE OF MAINE  
 DEPARTMENT OF TRANSPORTATION  
 PROJECT NUMBER 009215.00  
 PIN 009215.00



SIGNATURE  
 P.E. NUMBER  
 DATE

PROJ. MANAGER	PAUL POTLIE	DATE
DESIGN-DETAILED	TWB	09/01/04
CHECKED-REVIEWED	RJ	09/01/04
DESIGN-2-DETAILED	DP	
DESIGN-3-DETAILED		
REVISIONS 1		
REVISIONS 2		
REVISIONS 3		
REVISIONS 4		
FIELD CHANGES		

CITY OF PORTLAND  
 OCEAN GATEWAY PHASE 1  
 PIER 2 BERTH 2 - GANGWAY &  
 ACCESS RAMP HANDRAIL DETAILS

W314-M  
 ALT.