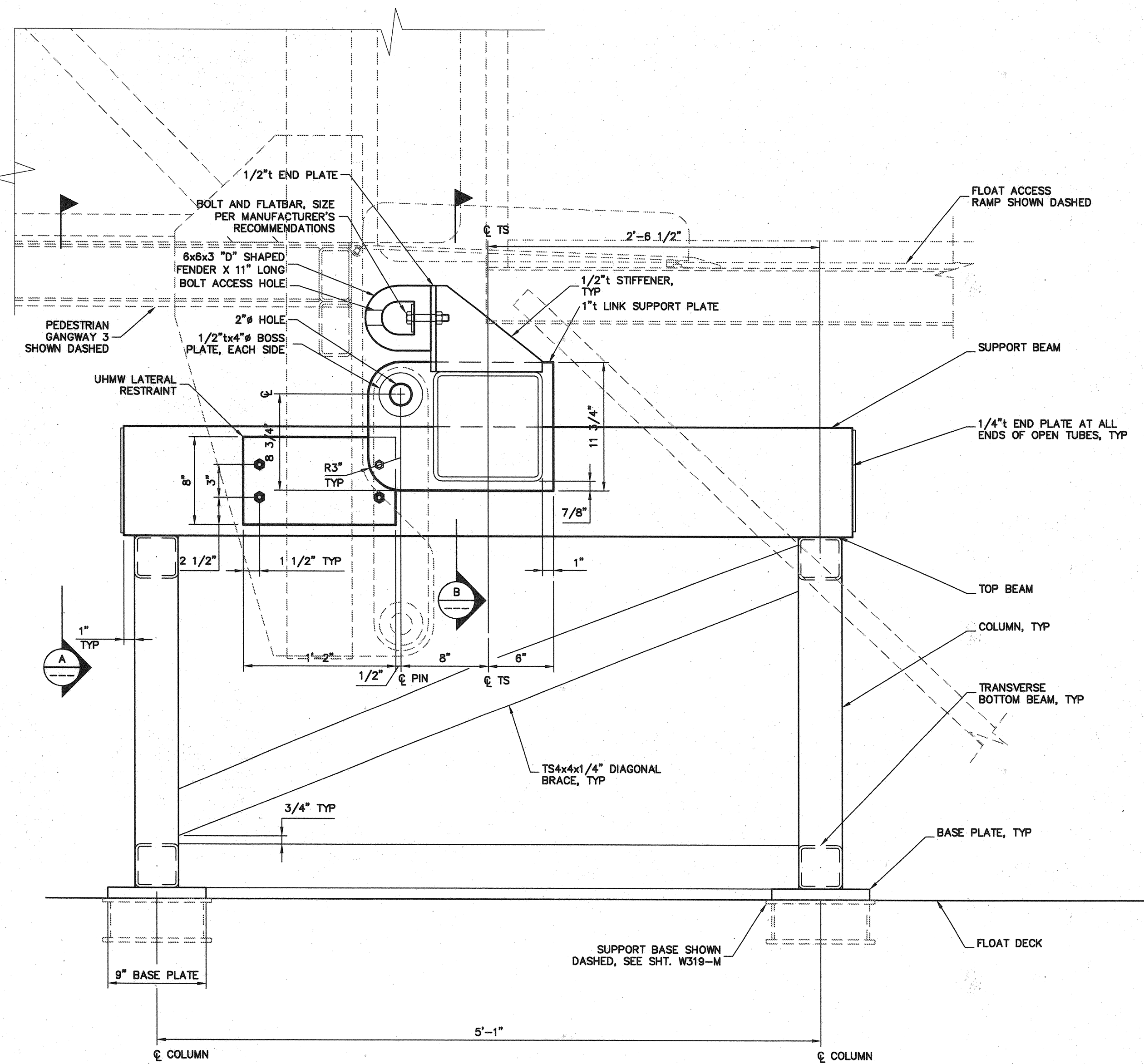
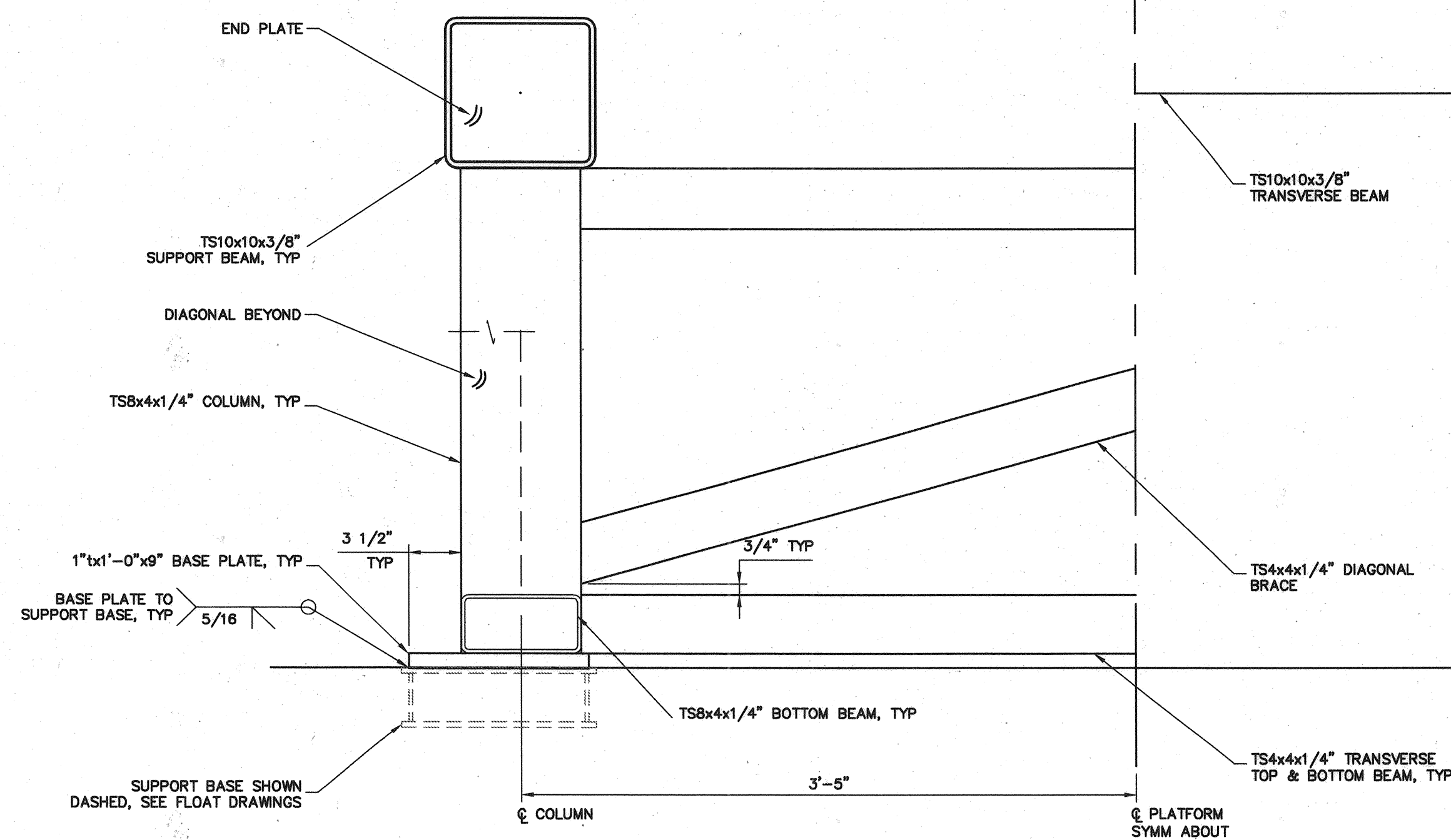


9/30/04
 Filename: 20343802-M-W312-ALT-100

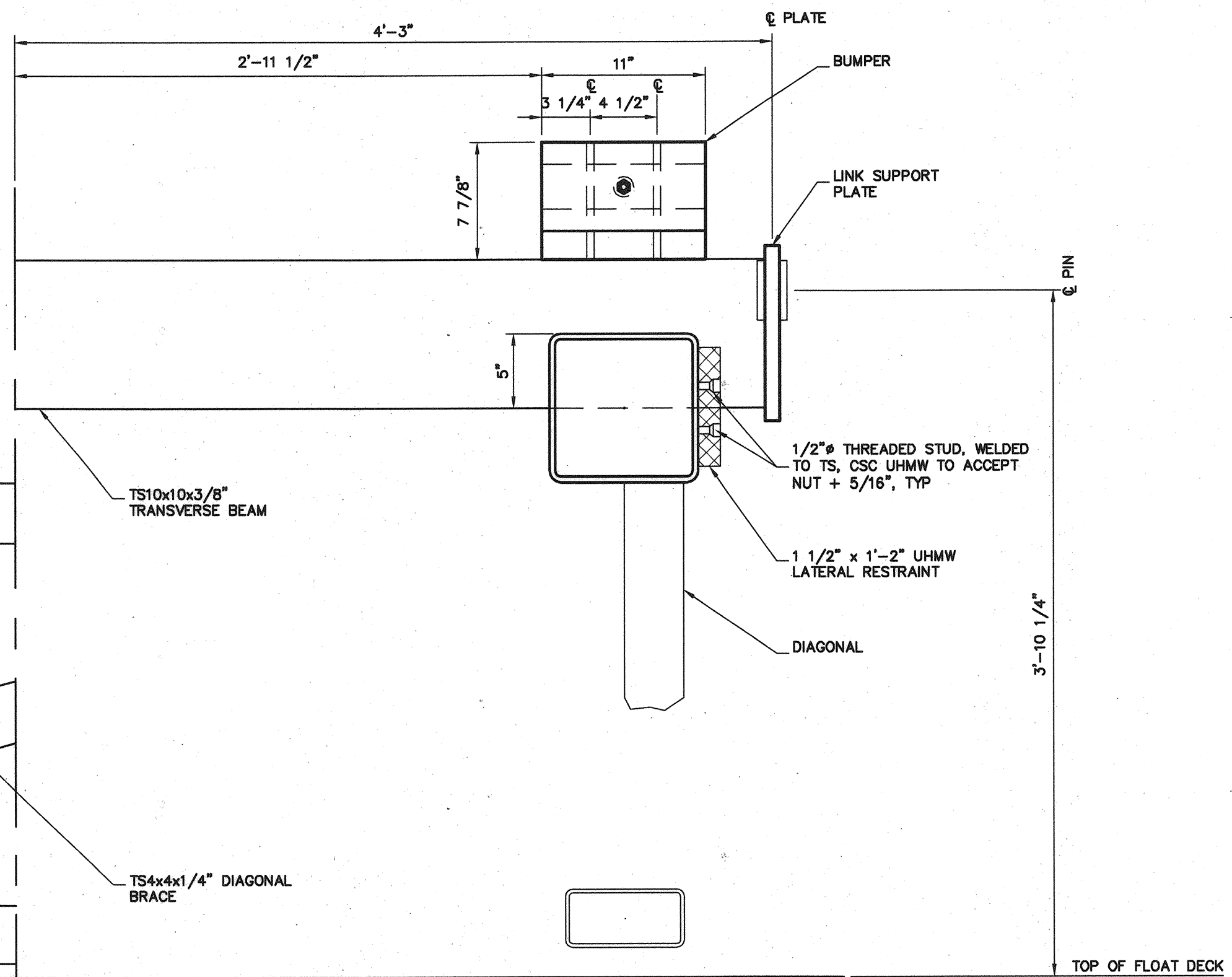


SOUTH ELEVATION
 SCALE: 1 1/2"=1'-0"

NOTE:
 WELD ALL JOINTS WITH 5/16" FILLET WELD OR EQUIVALENT BEVEL WELD ALL AROUND UNLESS OTHERWISE NOTED.



SECTION A



SECTION B

ALTERNATE No. 4

811 First Avenue, Suite 570
 Seattle, Washington 98104
 Phone: (206) 624-1387
 Fax: (206) 624-1388
 E-Mail: mail@gnpsd.com

INCORPORATED

STATE OF MAINE
DEPARTMENT OF TRANSPORTATION
 PROJECT NUMBER 009215.00
 PIN 009215.00

INCORPORATED

DAVID M. PERCE
 9437
 PROFESSIONAL ENGINEER

SIGNATURE: _____
 P.E. NUMBER: 9437
 DATE: 12/6/04

PROJ. MANAGER	DATE	BY	DATE
PAUL POTLIE	09/07/04	DH	09/07/04
DESIGN-DETAILED		DP	
CHECKED-REVIEWED			
DESIGN2-DETAILED2			
DESIGN3-DETAILED3			
REVISIONS 1			
REVISIONS 2			
REVISIONS 3			
REVISIONS 4			
FIELD CHANGES			

CITY OF PORTLAND
OCEAN GATEWAY PHASE 1
PIER 2 BERTH 2
GANGWAY LANDING PLATFORM

W312-M
ALT.
 117 OF 288