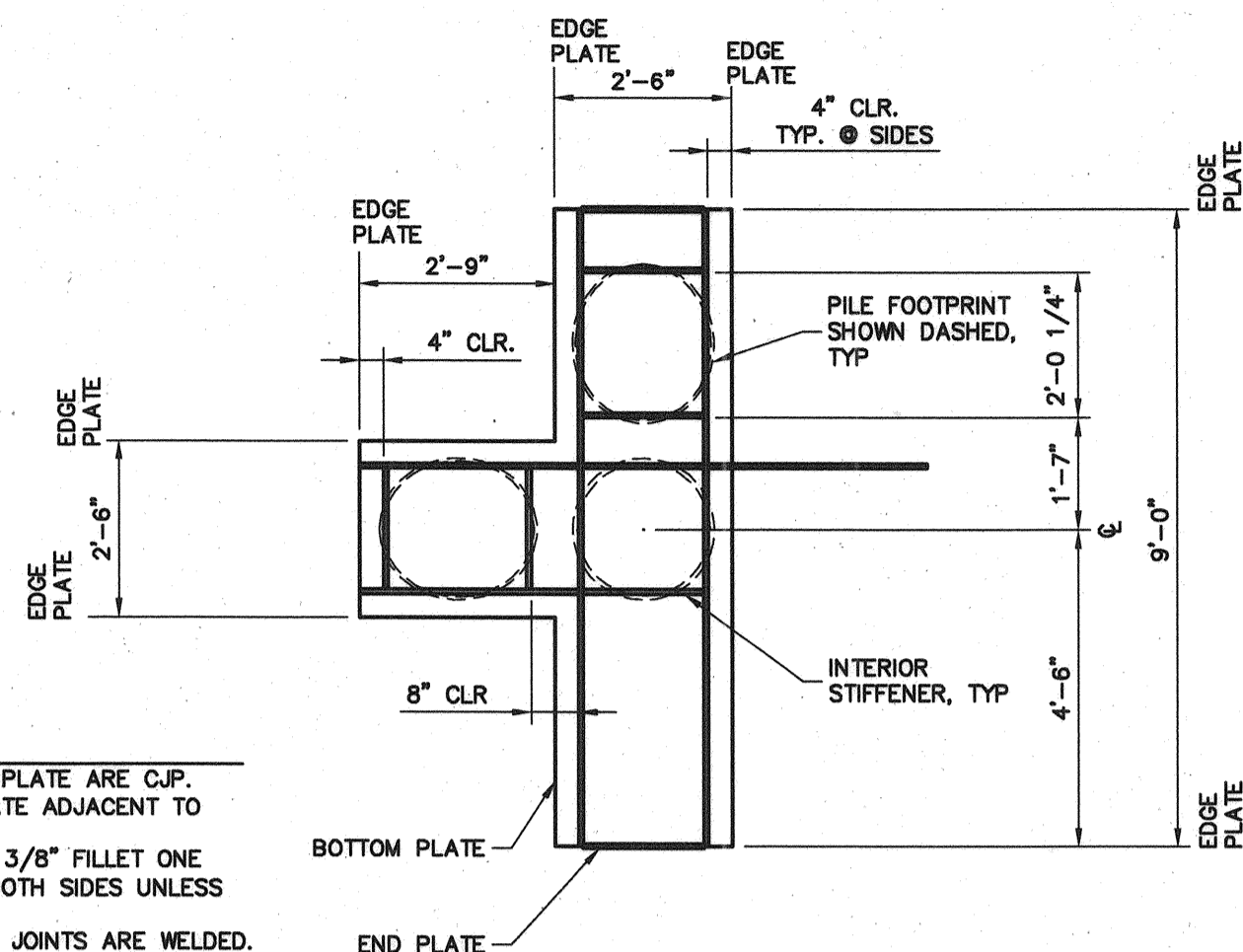


PLAN

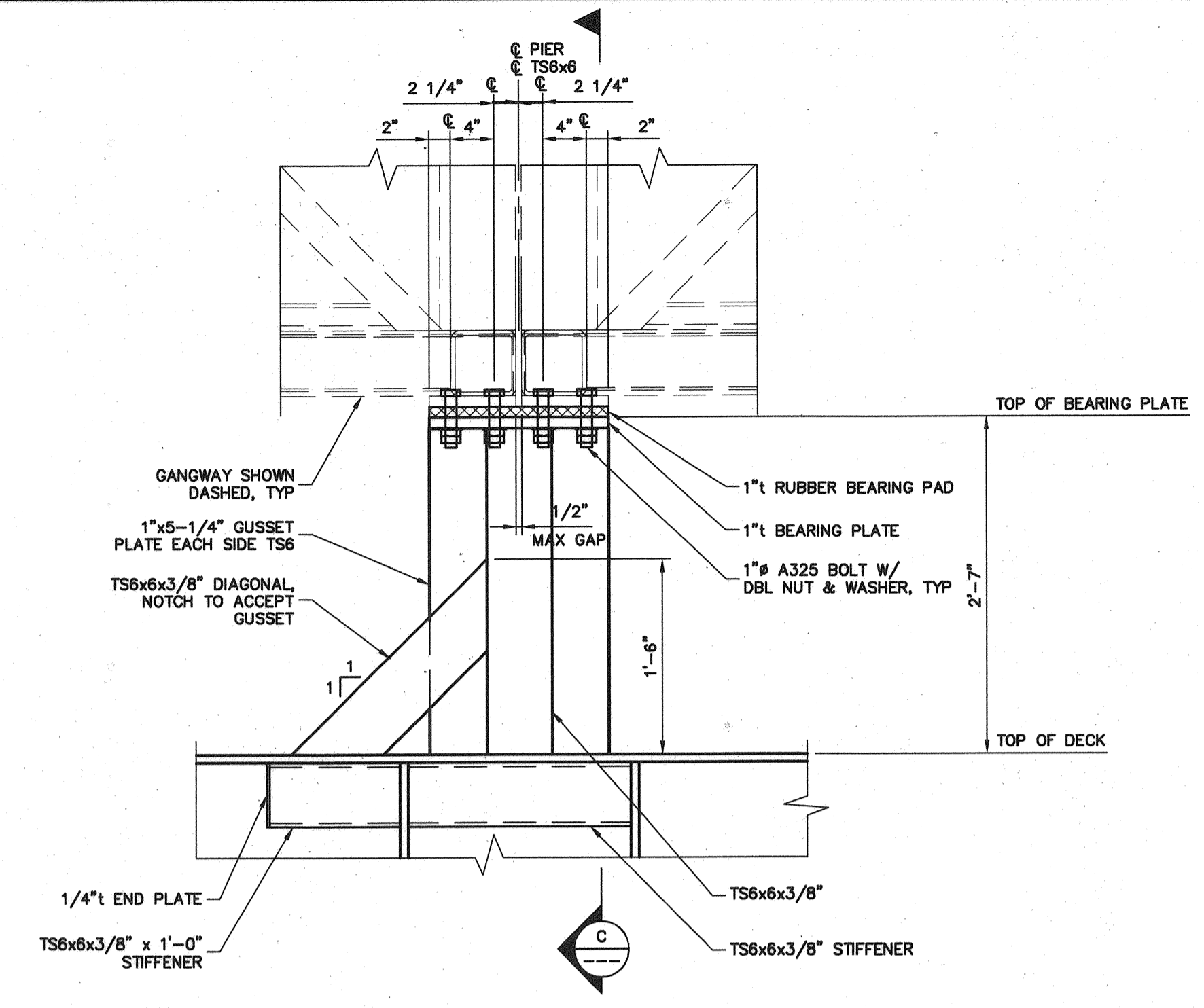
SCALE: 3/8"=1'-0"  
 NOTE: BEARING SUPPORT NOT SHOWN FOR CLARITY.

- PIER CAP WELDING NOTES
- 1.) ALL JOINTS TO BOTTOM PLATE ARE C.P.
  - 2.) ALL JOINTS TO TOP PLATE ADJACENT TO BOLLARD ARE C.P.
  - 3.) ALL OTHER JOINTS ARE 3/8" FILLET ONE SIDE OR 5/16" FILLET BOTH SIDES UNLESS NOTED OTHERWISE.
  - 4.) IN ALL CASES EXTERIOR JOINTS ARE WELDED.
  - 5.) CAP WELDMENTS ARE TOTALLY SEALED (NO RAT HOLES OR DRAIN HOLES).

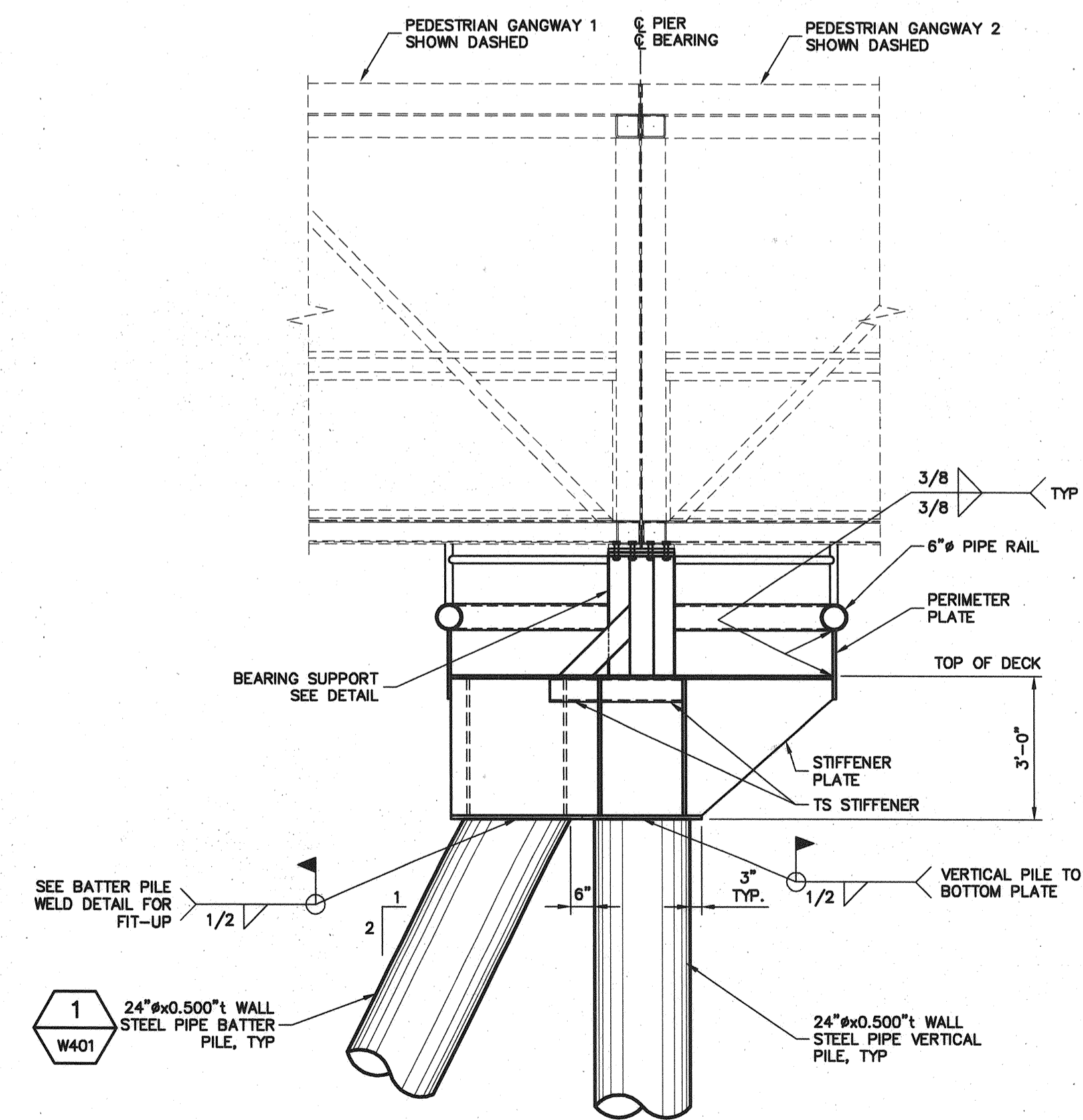
NOTE:  
 ALL PLATES 3/4" UNLESS OTHERWISE NOTED.  
 WELD ALL JOINTS WITH 5/16" FILLET WELD OR EQUIVALENT BEVEL WELD ALL AROUND UNLESS OTHERWISE NOTED



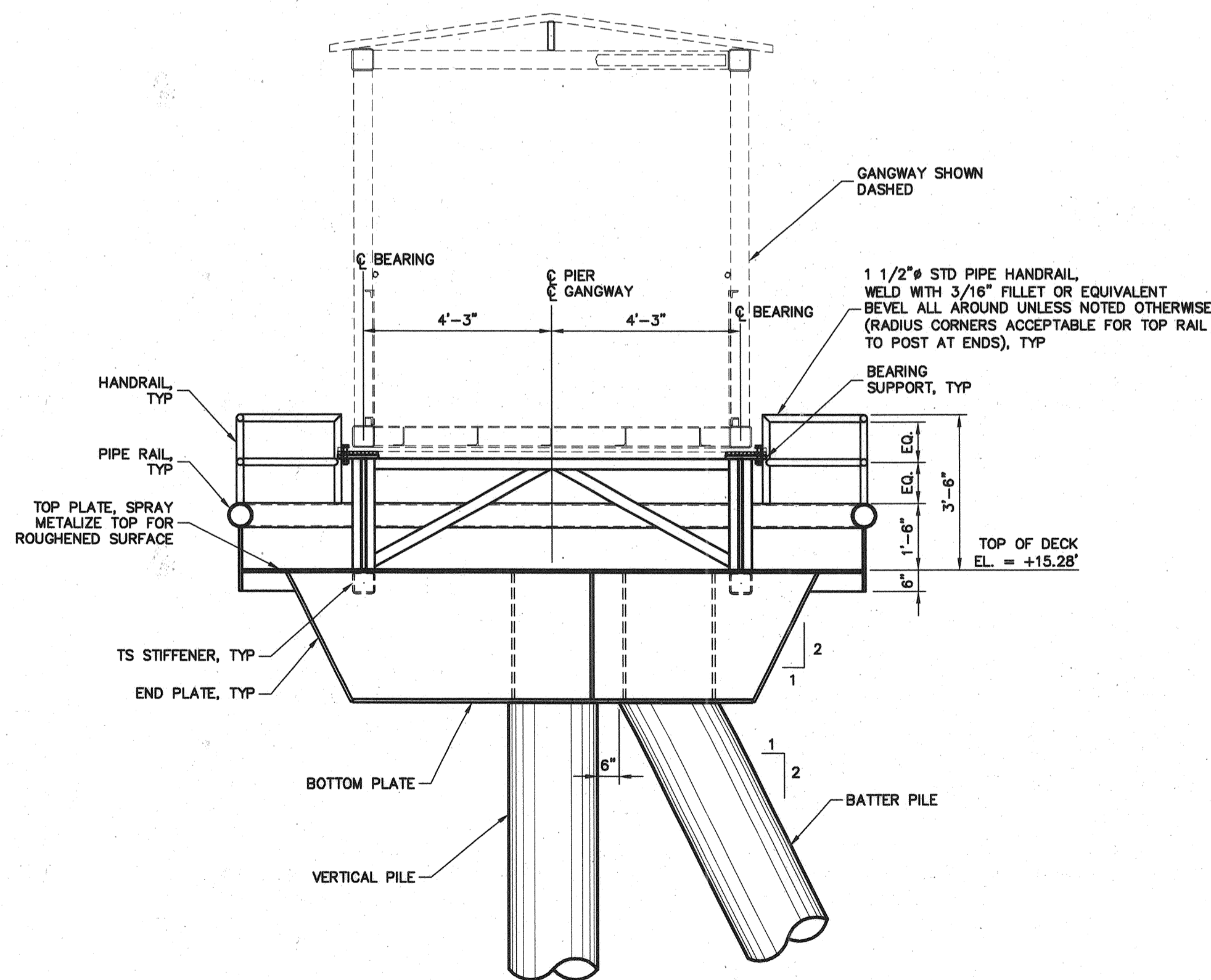
2 PLAN BOTTOM PLATE



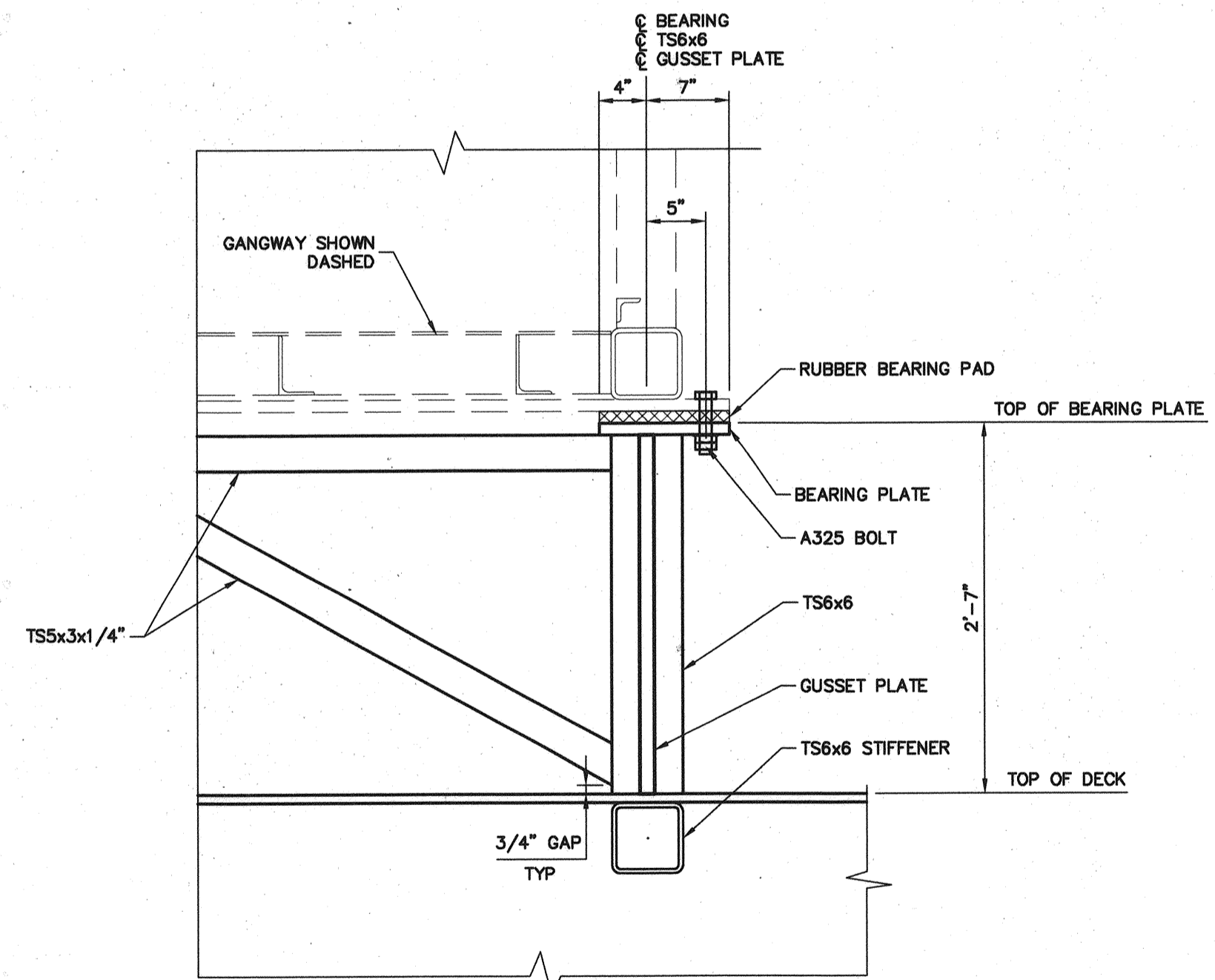
3 BEARING SUPPORT



SECTION A



SECTION B

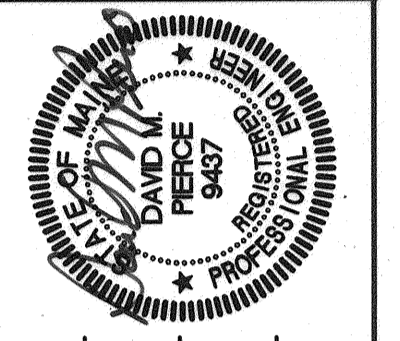


SECTION C

811 First Avenue, Suite 570  
 Seattle, Washington 98104  
 Phone: (206) 624-1387  
 Fax: (206) 624-1388  
 E-Mail: mail@pnba.com

INCORPORATED

STATE OF MAINE  
 DEPARTMENT OF TRANSPORTATION  
 PROJECT NUMBER 009215.00  
 PIN 009215.00



SIGNATURE  
 P.E. NUMBER 9437  
 DATE 12/1/04

PROJ. MGR.	DATE	BY	REVISIONS	FIELD CHANGES
PAUL POTTLE	09/01/04	TWB	DESIGN-DETAILED	
	09/01/04	RJ	CHECKED-REVIEWED	
			DESIGN-DETAILED	
			DESIGN-DETAILED	
			REVISIONS 1	
			REVISIONS 2	
			REVISIONS 3	
			REVISIONS 4	

CITY OF PORTLAND  
 OCEAN GATEWAY PHASE 1  
 PIER 2 BERTH 2  
 PIER B

W307-M  
 ALT.  
 112 OF 288