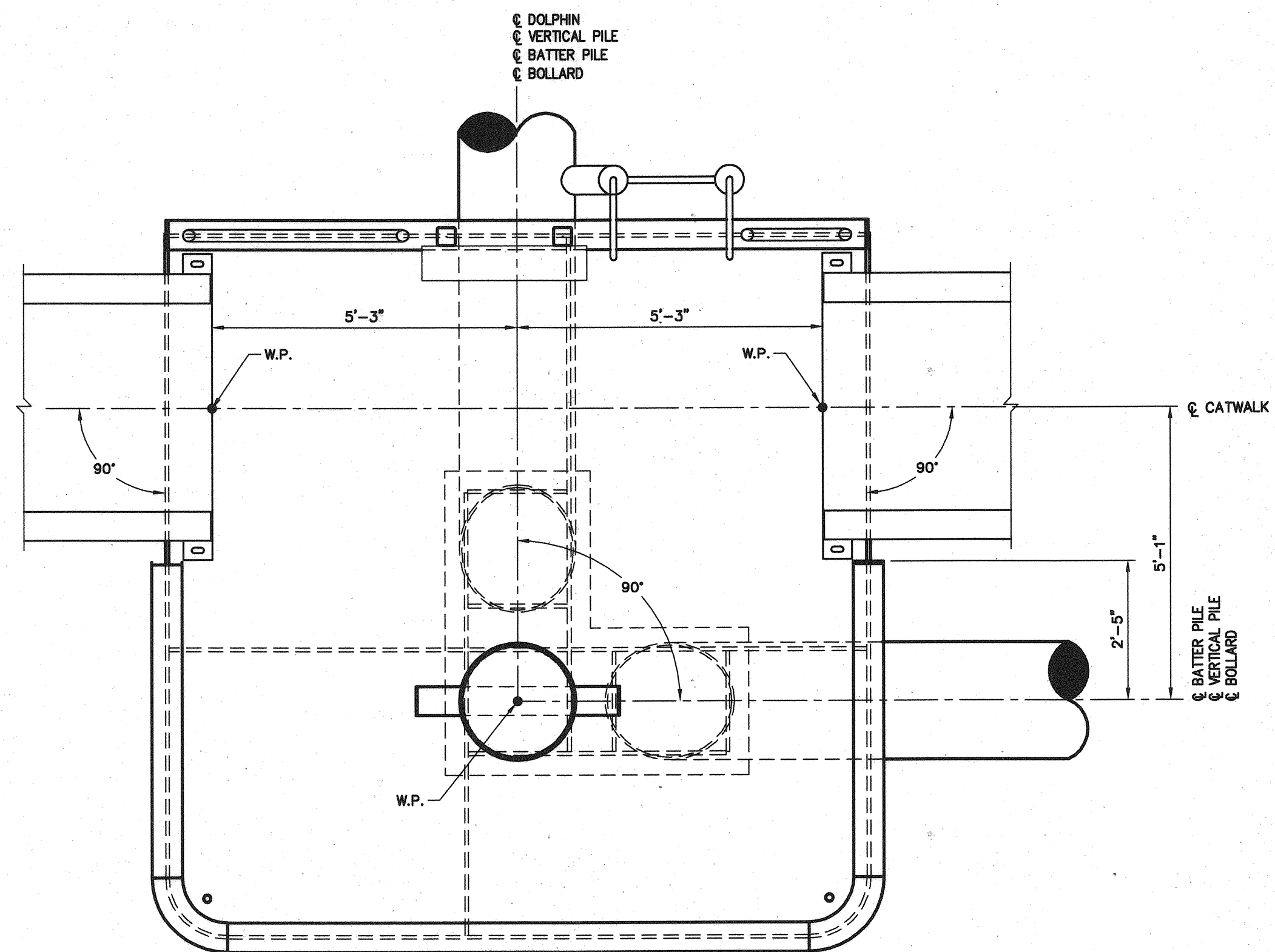
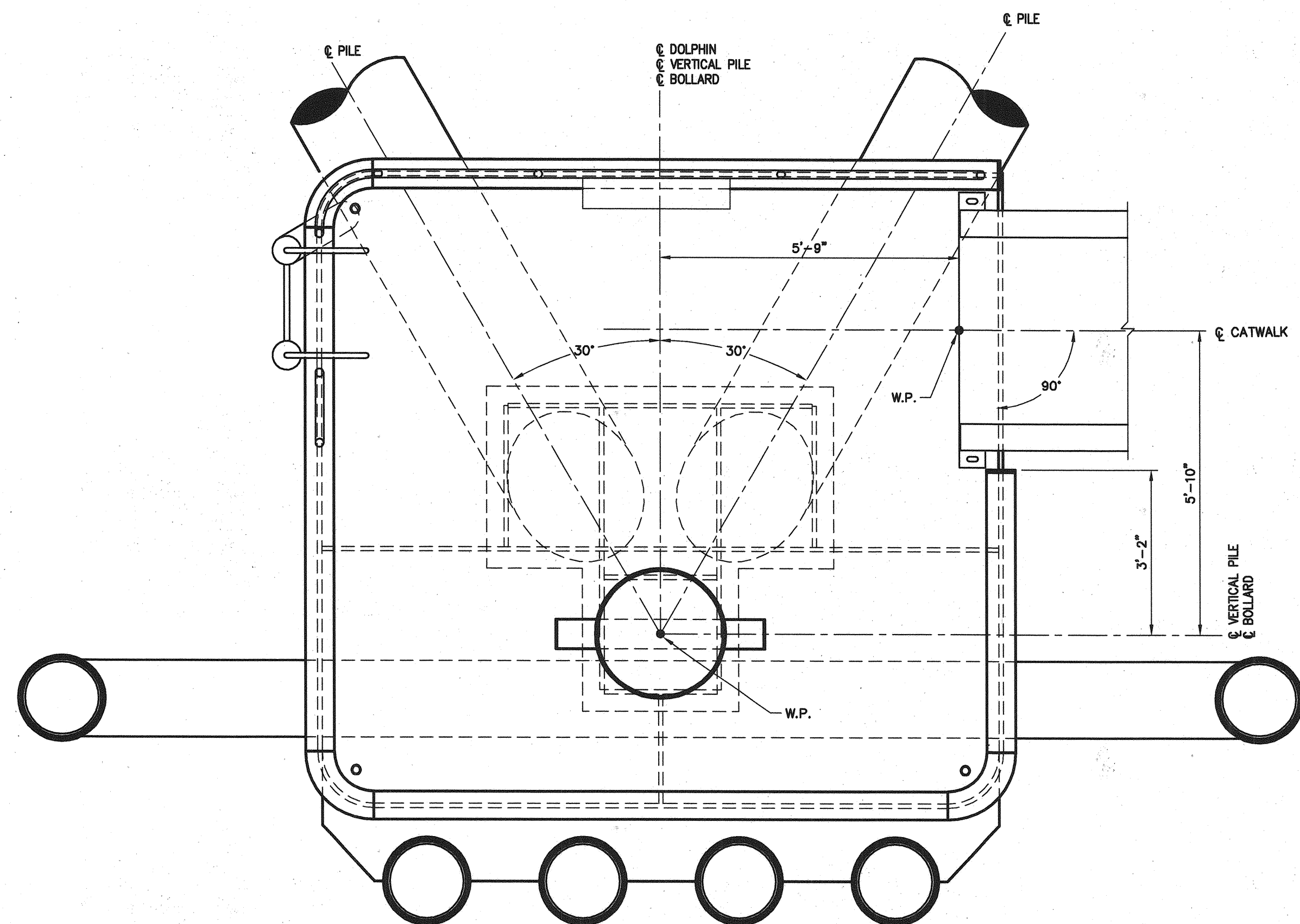


PLAN
 BREASTING DOLPHIN No. 2



PLAN
 MOORING DOLPHIN No. 1



PLAN
 BREASTING DOLPHIN No. 3

811 First Avenue, Suite 570
 Seattle, Washington 98104
 Phone: (206) 461-1387
 Fax: (206) 461-1388
 E-Mail: info@pdes.com



CONSULTING ENGINEERS Incorporated
 STATE OF MAINE
 DEPARTMENT OF TRANSPORTATION
 PROJECT NUMBER 009215.00
 PIN 009215.00

SIGNATURE
 P.E. NUMBER 9437
 DATE 10/16/04

PROJ. MANAGER	PAUL FOTILE	DATE
DESIGN-DETAILED	TMB	09/01/04
CHECKED-REVIEWED	RJ	09/01/04
DESIGN-DETAILED	RJ	
DESIGN-DETAILED	DP	
REVISIONS 1		
REVISIONS 2		
REVISIONS 3		
REVISIONS 4		
FIELD CHANGES		

CITY OF PORTLAND
 OCEAN GATEWAY PHASE 1
 PIER 2 BERTH 2
 DOLPHIN CONFIGURATIONS

W304-M
 ALT.
 109 OF 288