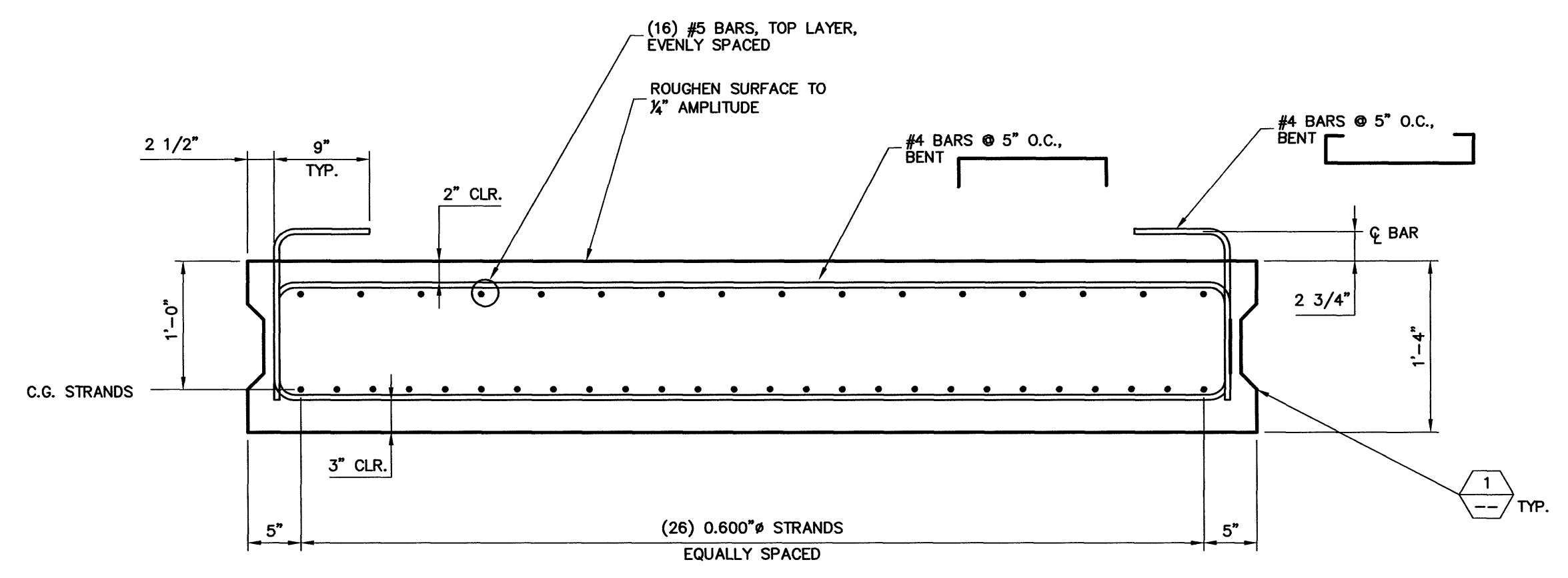


DAVID M. PEARCE
 11/1/05
 P.E. NUMBER
 DATE

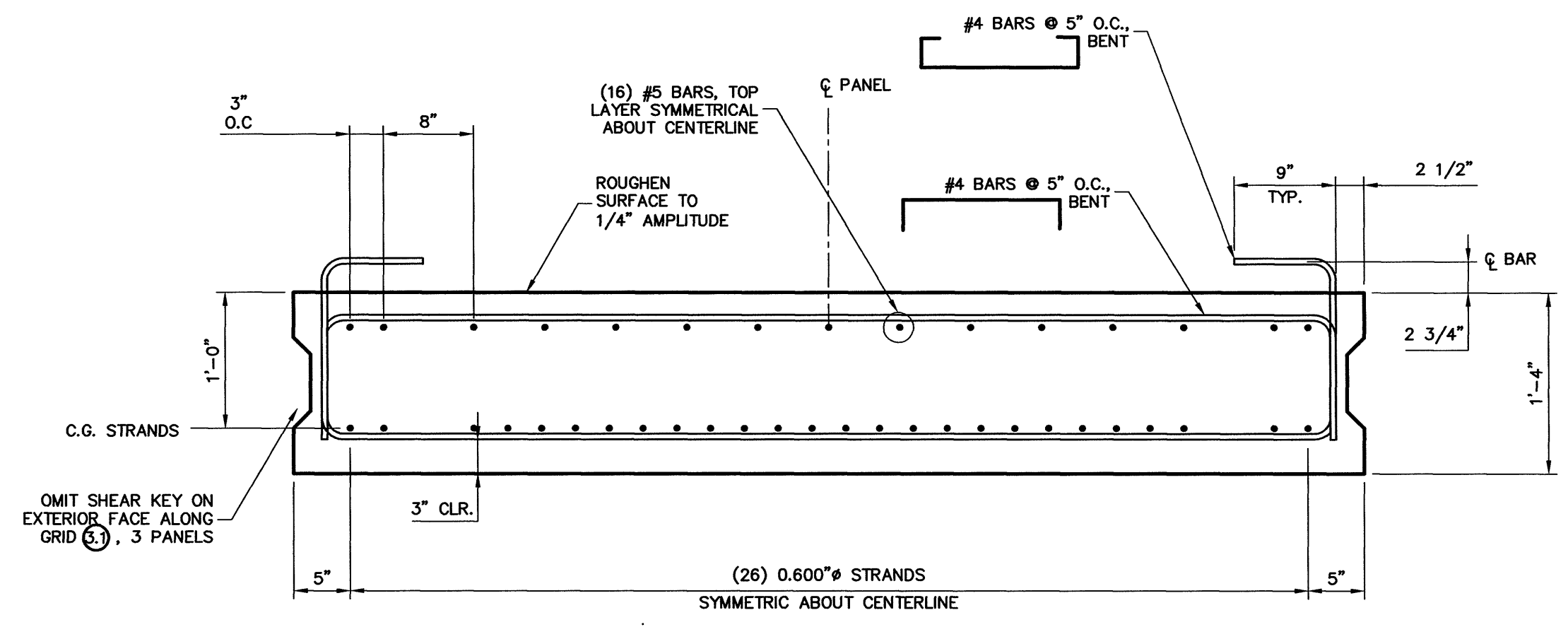
PROJ. MANAGER	DATE	BY
PAUL POTTLE	09/07/04	DH
DESIGN-DETAILED	09/07/04	DP
CHECKED-REVIEWED		
DESIGN2-DETAILED2		
DESIGN3-DETAILED3		
REVISIONS 1	10/29/05	PER VAAP 16
REVISIONS 2		
REVISIONS 3		
REVISIONS 4		
FIELD CHANGES		

CITY OF PORTLAND
 OCEAN GATEWAY PHASE 1
 PIER A
 DECK PANEL DETAILS

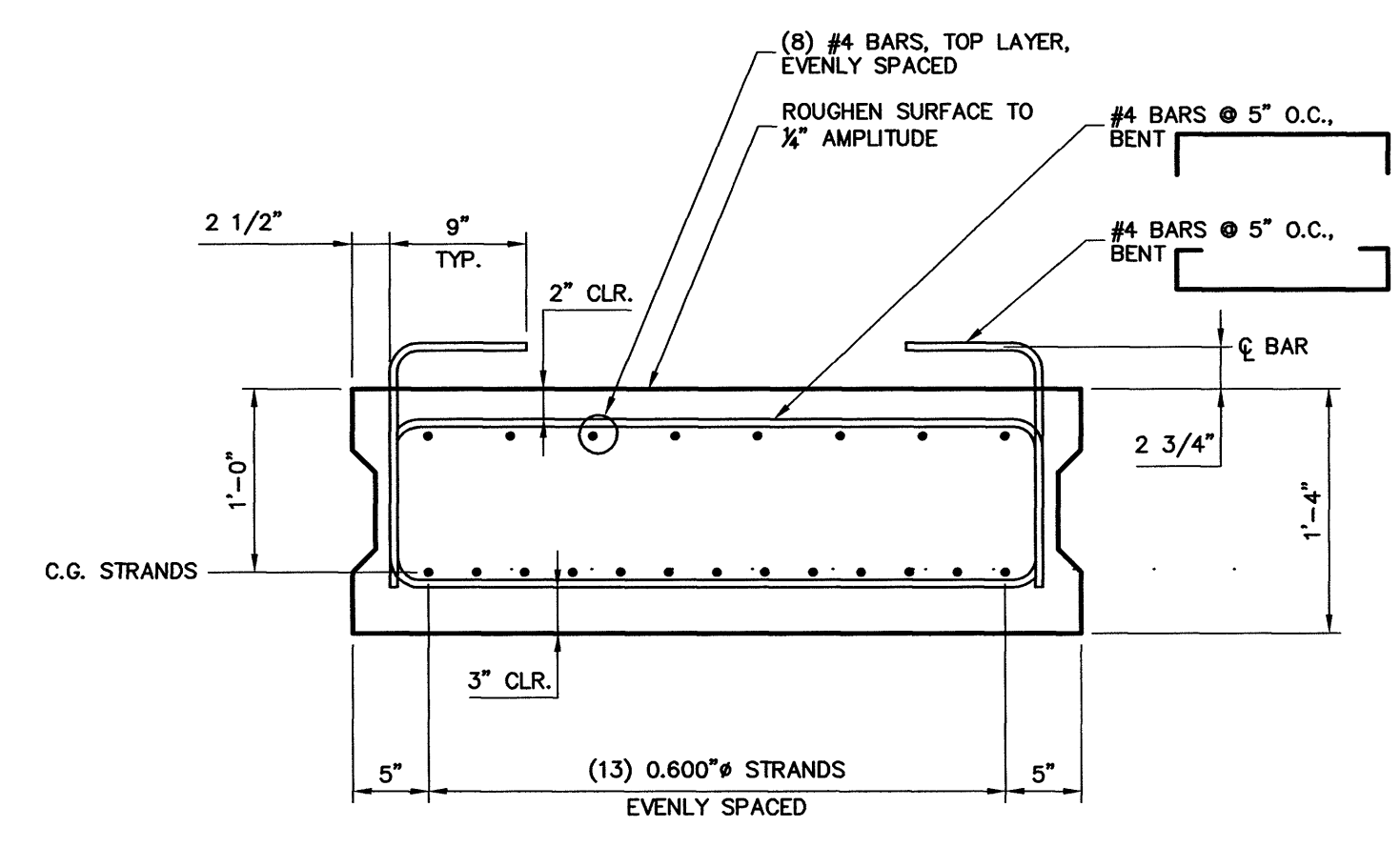
W305-A



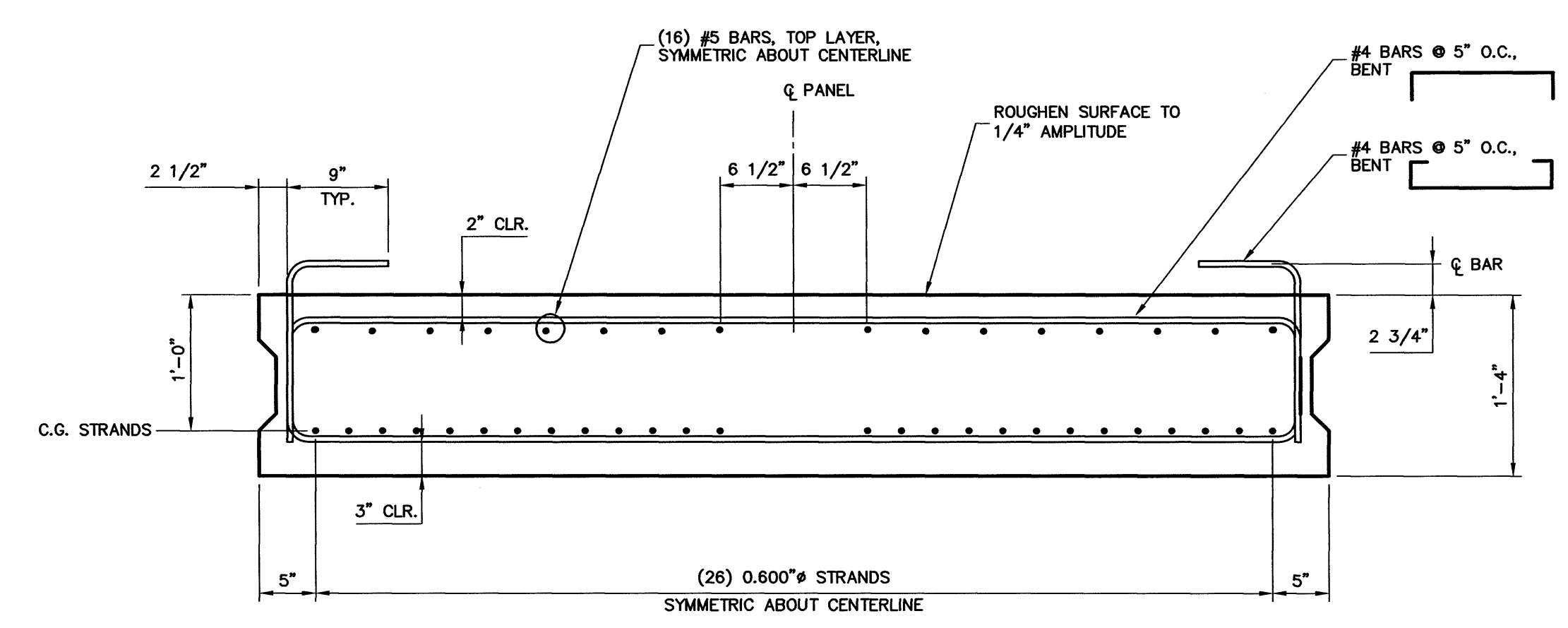
SECTION A
 W304-A



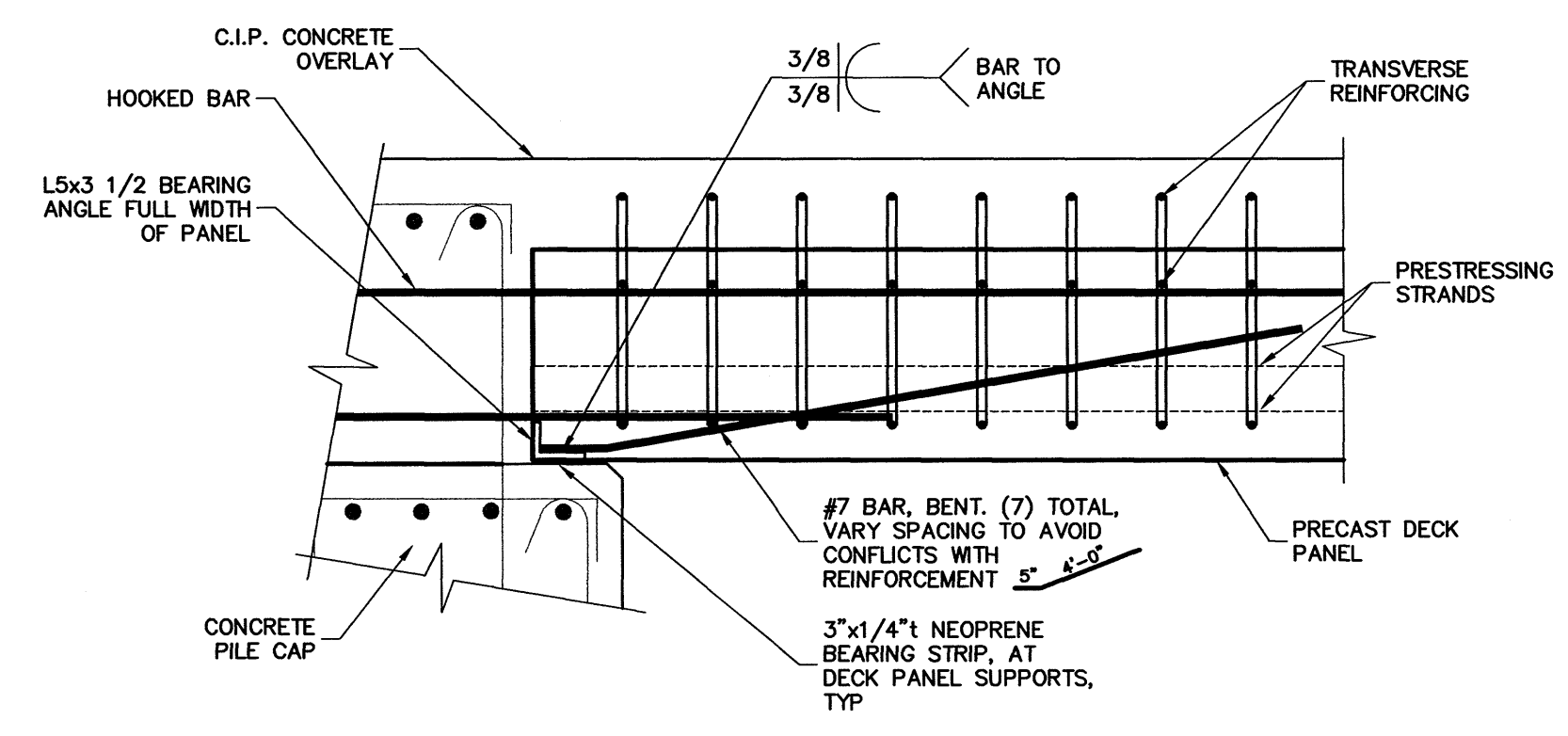
SECTION B
 W304-A



SECTION C
 W304-A

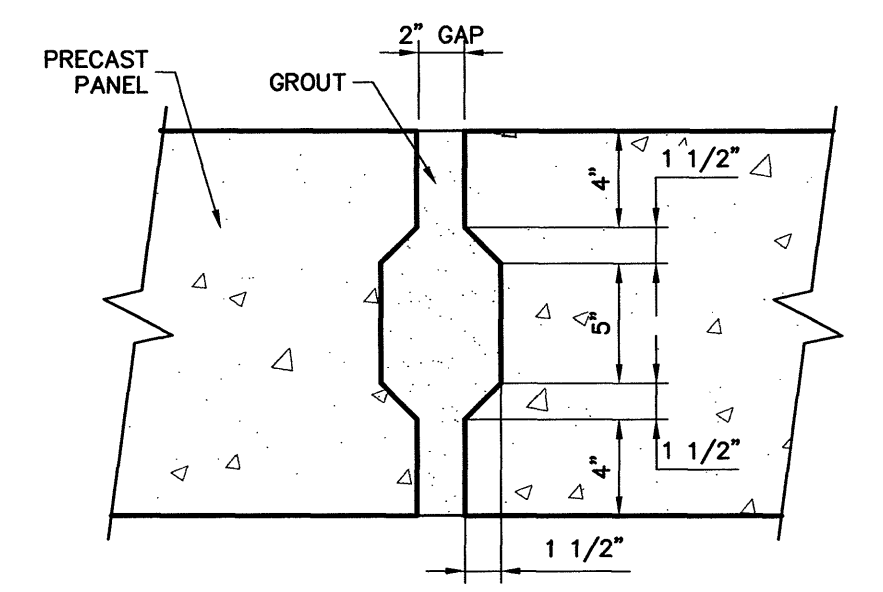


SECTION D
 W304-A



SECTION E
 W304-A

NOTE:
 L5x3 1/2" BEARING ANGLE
 SHALL BE GALVANIZED.



1 TYPICAL SHEAR KEY