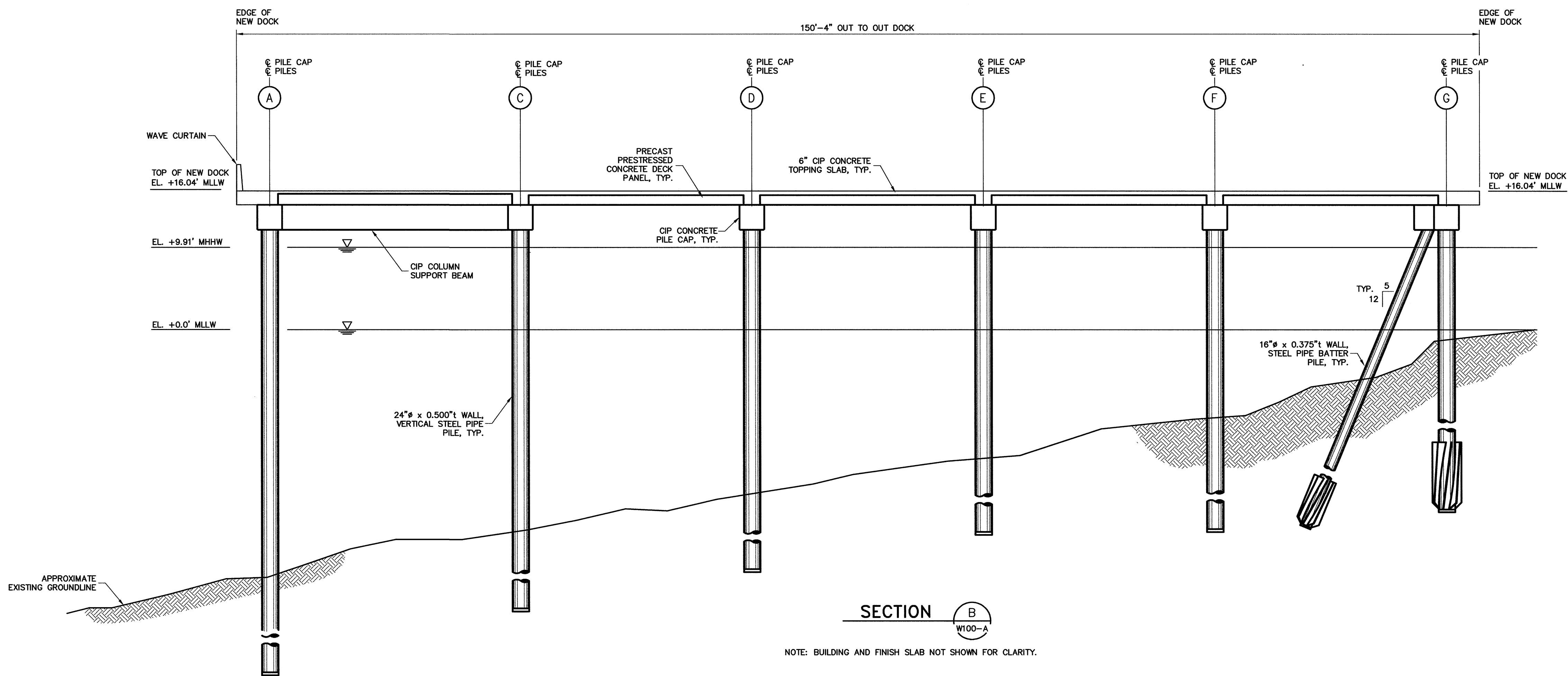


SECTION **A**
 W100-A

NOTE: BUILDING AND FINISH SLAB NOT SHOWN FOR CLARITY.



SECTION **B**
 W100-A

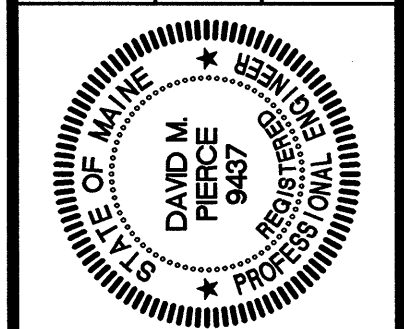
NOTE: BUILDING AND FINISH SLAB NOT SHOWN FOR CLARITY.

811 First Avenue, Suite 570
 Seattle, Washington 98104
 Phone: (206) 624-1387
 Fax: (206) 624-1388
 E-Mail: mail@pndsea.com

P N D
 Incorporated

CONSULTING
 ENGINEERS

STATE OF MAINE
 DEPARTMENT OF TRANSPORTATION
 PROJECT NUMBER 009215.00
 PIN
 009215.00



David M. Pottle
 SIGNATURE
 P.E. NUMBER 9432
 DATE 10/28/05

DATE	BY	PROJ. MANAGER	PAUL POTTLE
09/01/04	DH	DESIGN-DETAILED	RJ
09/01/04	DP	CHECKED-REVIEWED	OT
		DESIGNS-DETAILED	
		REVISIONS 1	PER VAAP 11
		REVISIONS 2	
		REVISIONS 3	
		REVISIONS 4	
		FIELD CHANGES	

CITY OF PORTLAND
 OCEAN GATEWAY PHASE 1
 PIER A
 SECTIONS

W200-A