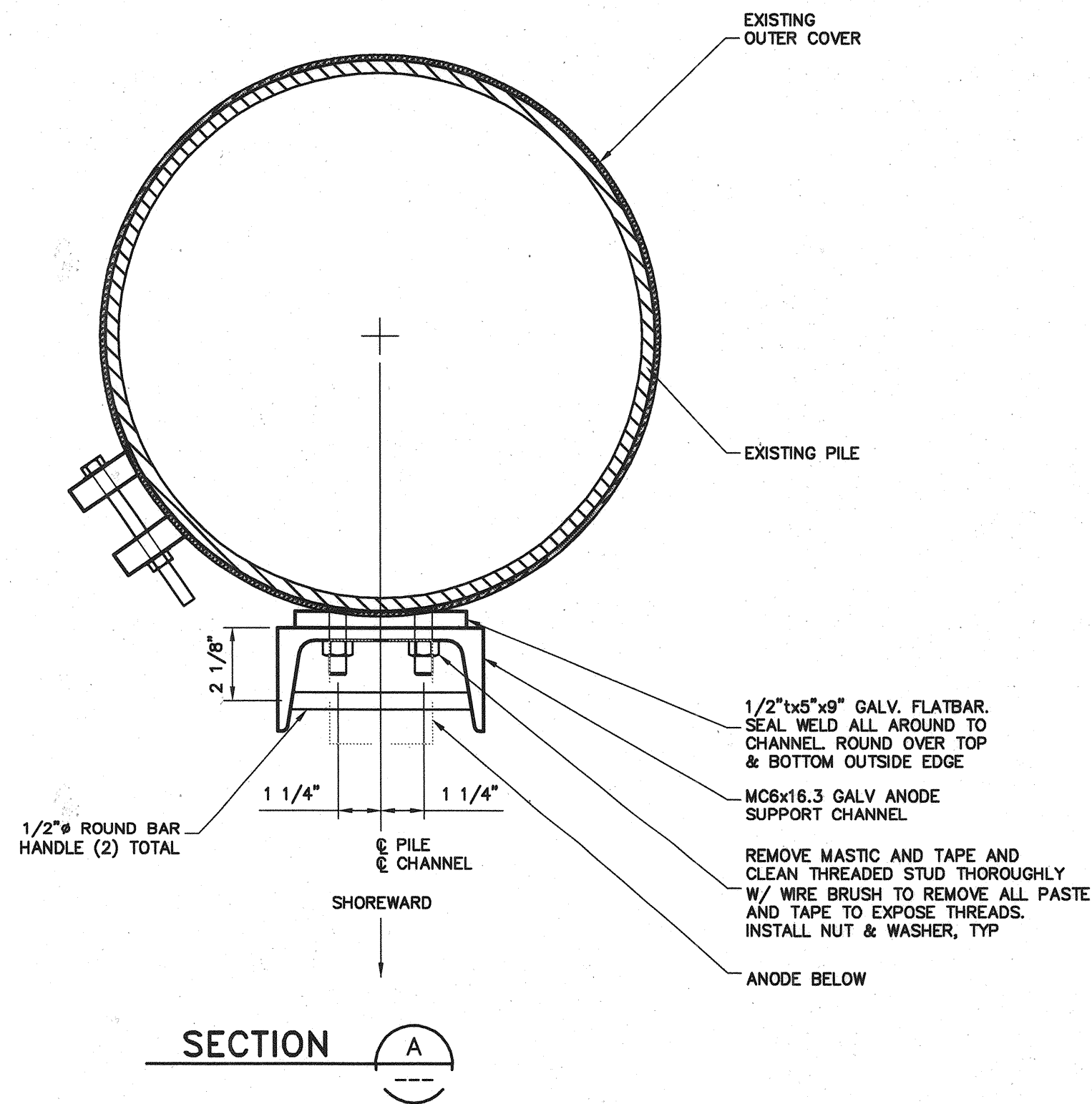


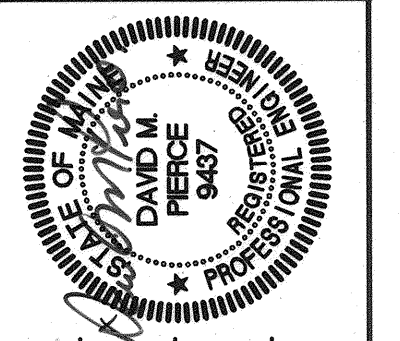
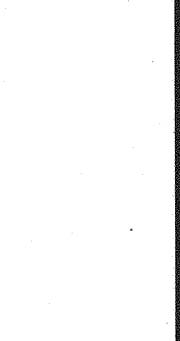
**PILE ELEVATION**

NOTE: ALTERNATE No. 9 INCLUDES SUPPORT CHANNEL, HARDWARE AND ANODE.

© PIER 2



**SECTION A**



SIGNATURE  
 P.E. NUMBER 9487  
 DATE 12/6/04

PROJ. MANAGER	PAUL POTTLE	DATE
DESIGN-DETAILED	TWB	09/01/04
CHECKED-REVIEWED	DP	09/01/04
DESIGN-DETAILED	DP	
DESIGN-DETAILED	DP	
REVISIONS 1		
REVISIONS 2		
REVISIONS 3		
REVISIONS 4		
FIELD CHANGES		

CITY OF PORTLAND  
 OCEAN GATEWAY PHASE 1  
 PIER 2 - EXISTING PILE PROTECTION  
 DETAILS