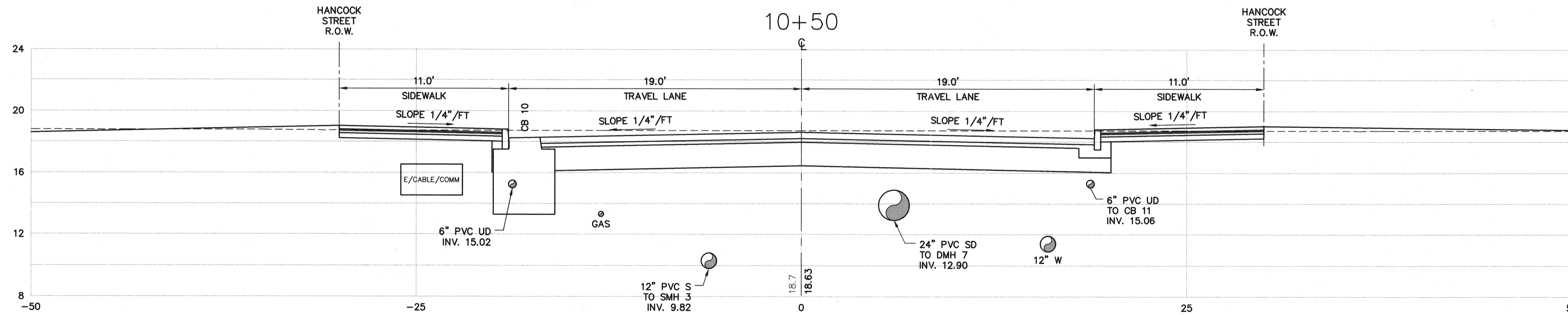
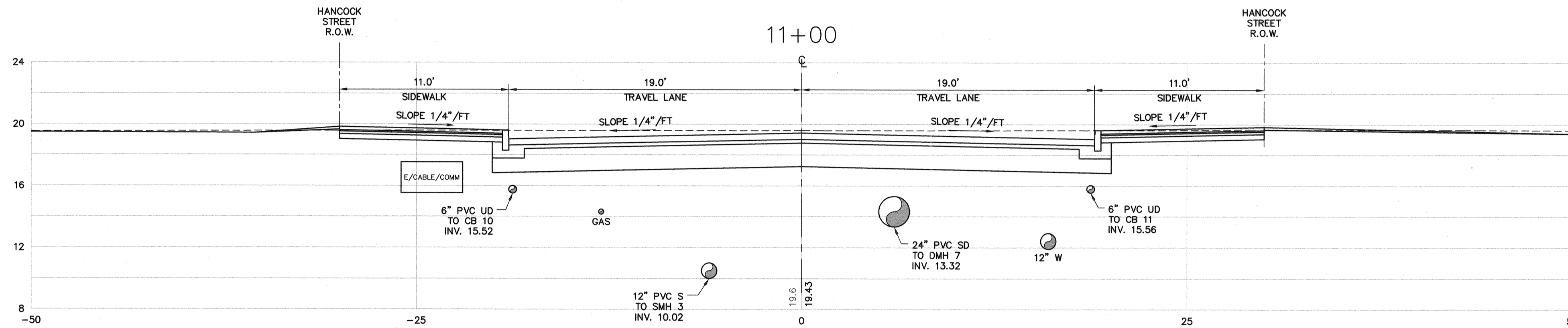
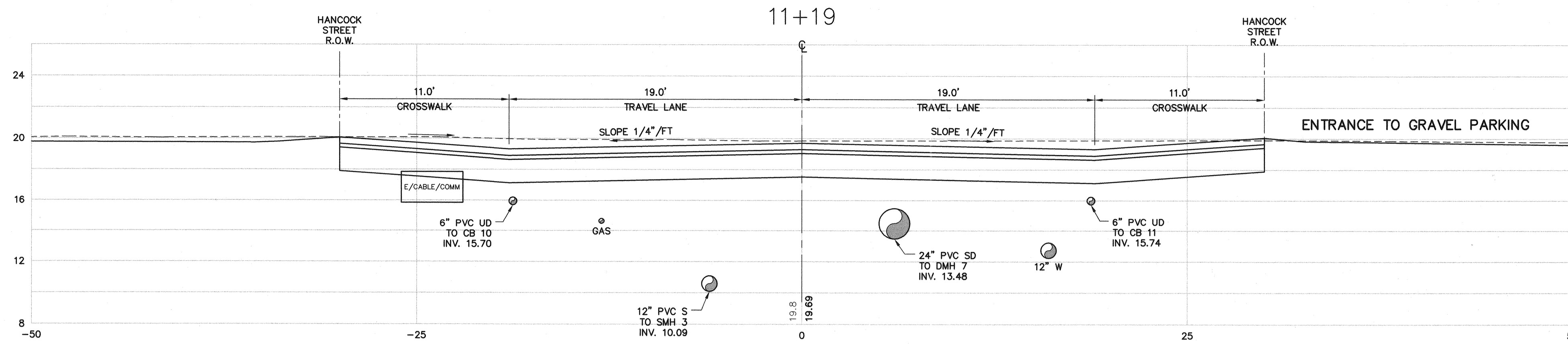
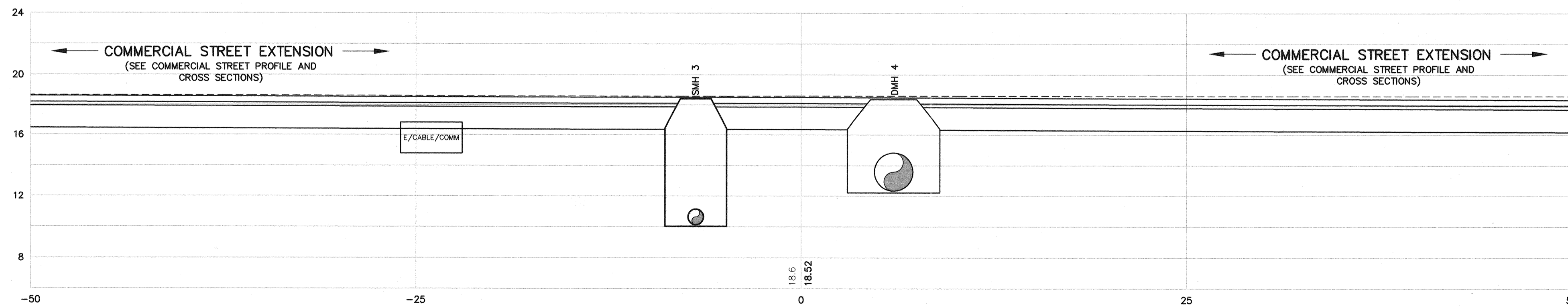


Filename: O:\203438 Ocean Gateway - Phase 1 Engineering\Project Deliverables\2004-10-27_issued for BID\CAD Drawings\Civil\20343802-C300A_XSEC.dwg, Oct 11, 2004 - 9:36am

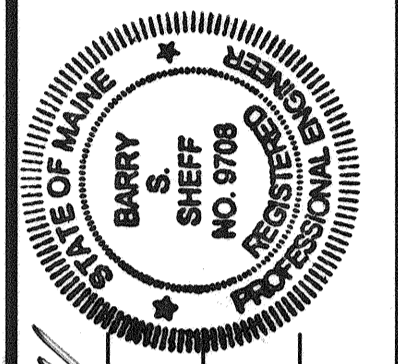


STA. 10+00 = STA. 15+93 (COMMERCIAL STREET)



BAR SCALE
1" = 5'
CHECK GRAPHIC SCALE BEFORE USING
MLLW = 0.00 FT = -4.57 FT NGVD 1929 (CITY DATUM)

STATE OF MAINE
DEPARTMENT OF TRANSPORTATION
PROJECT NUMBER 009215.00
PIN 009215.00



Barry S. Sheff
SIGNATURE
9708
P.E. NUMBER
10/11/04
DATE

PROJ. MANAGER	PAUL POTTLE	DATE	BY
DESIGN-DETAILED	DAS	10/11/04	JBC
CHECKED-REVIEWED	DAS	10/11/04	BSS
DESIGN-DETAILED2			
DESIGN-DETAILED3			
REVISIONS 1			
REVISIONS 2			
REVISIONS 3			
REVISIONS 4			
FIELD CHANGES			

CITY OF PORTLAND
OCEAN GATEWAY PHASE 1
HANCOCK STREET CROSS SECTIONS
STA. 10+00 TO STA. 11+19

C307