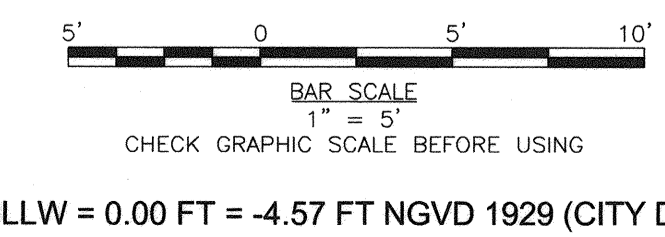
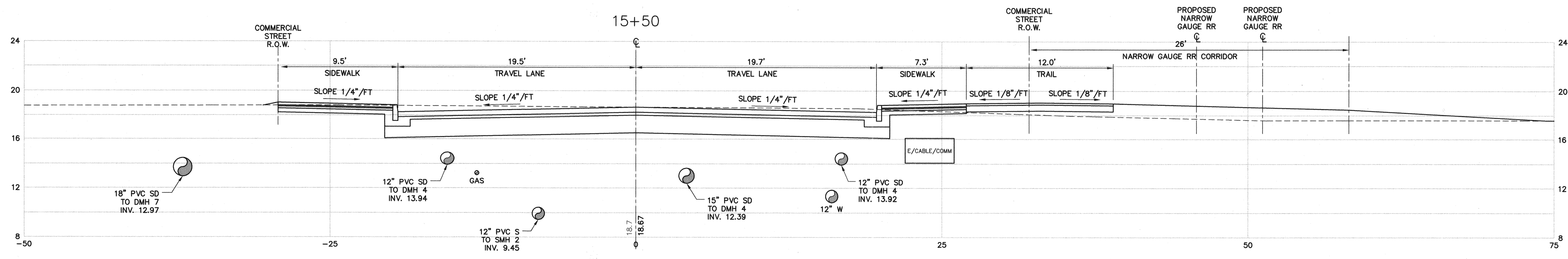
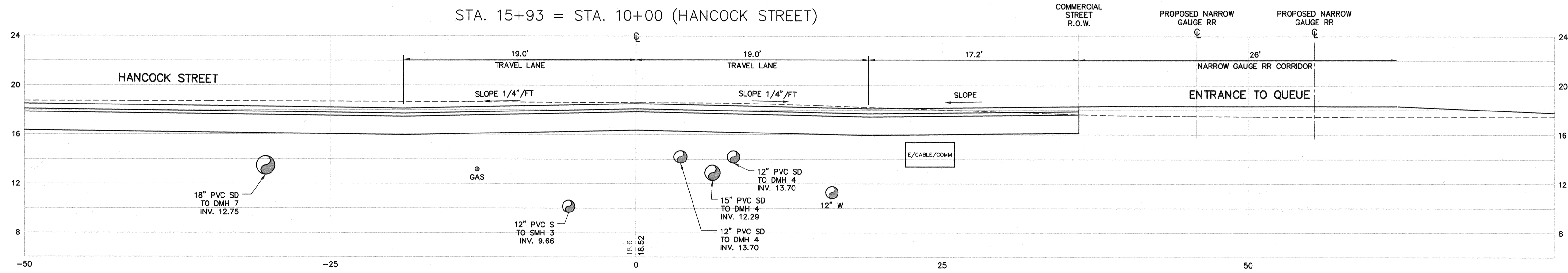
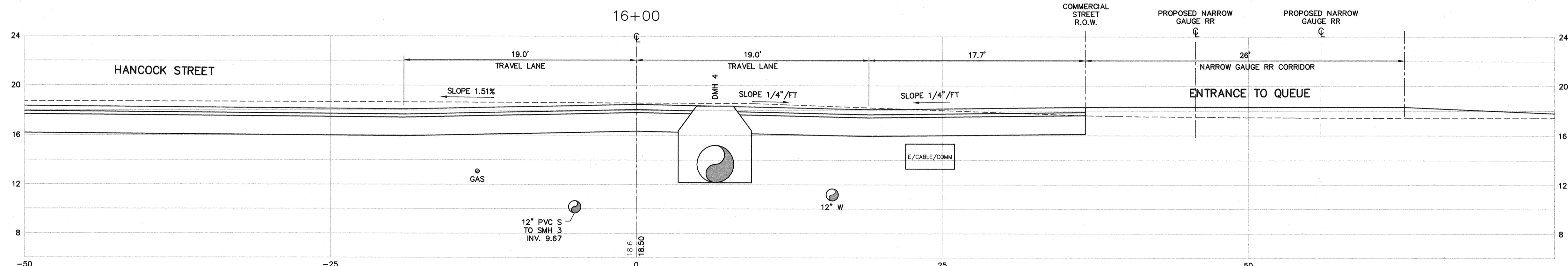
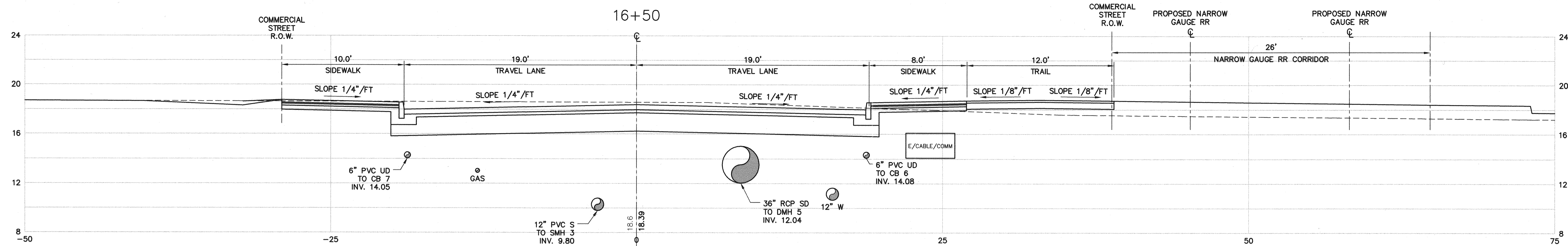


Filename: O:\203438 Ocean Gateway - Phase 1 Engineering\Project Deliverables\2004-10-27, issued for BID\CAD Drawings\Civil\20343802-C300A_XSEC.dwg, Oct 11, 2004 - 9:35am



MLLW = 0.00 FT = -4.57 FT NGVD 1929 (CITY DATUM)

WOODARD & CURRAN
Engineering • Science • Operations
41 Hutchins Drive • Portland, Maine 04102

STATE OF MAINE
DEPARTMENT OF TRANSPORTATION
PROJECT NUMBER 009215.00
PIN 009215.00

STATE OF MAINE
BARRY S. SHEFF
SHEFF NO. 9708
REGISTERED PROFESSIONAL ENGINEER

DATE	BY	PROJ. MGR.	DESIGN	CHECKED	DESIGN	REVISIONS
10/11/04	JBC	DAS	DESIGN-DETAILED	DESIGN-REVIEWED	DAS	REVISIONS 1
10/11/04	BSS	DAS	CHECKED-REVIEWED	DESIGN-DETAILED2	DAS	REVISIONS 2
				DESIGN-DETAILED3		REVISIONS 3
						REVISIONS 4
						FIELD CHANGES

CITY OF PORTLAND
OCEAN GATEWAY PHASE 1
COMMERCIAL STREET CROSS SECTIONS
STA. 15+50 TO STA. 16+50

C303