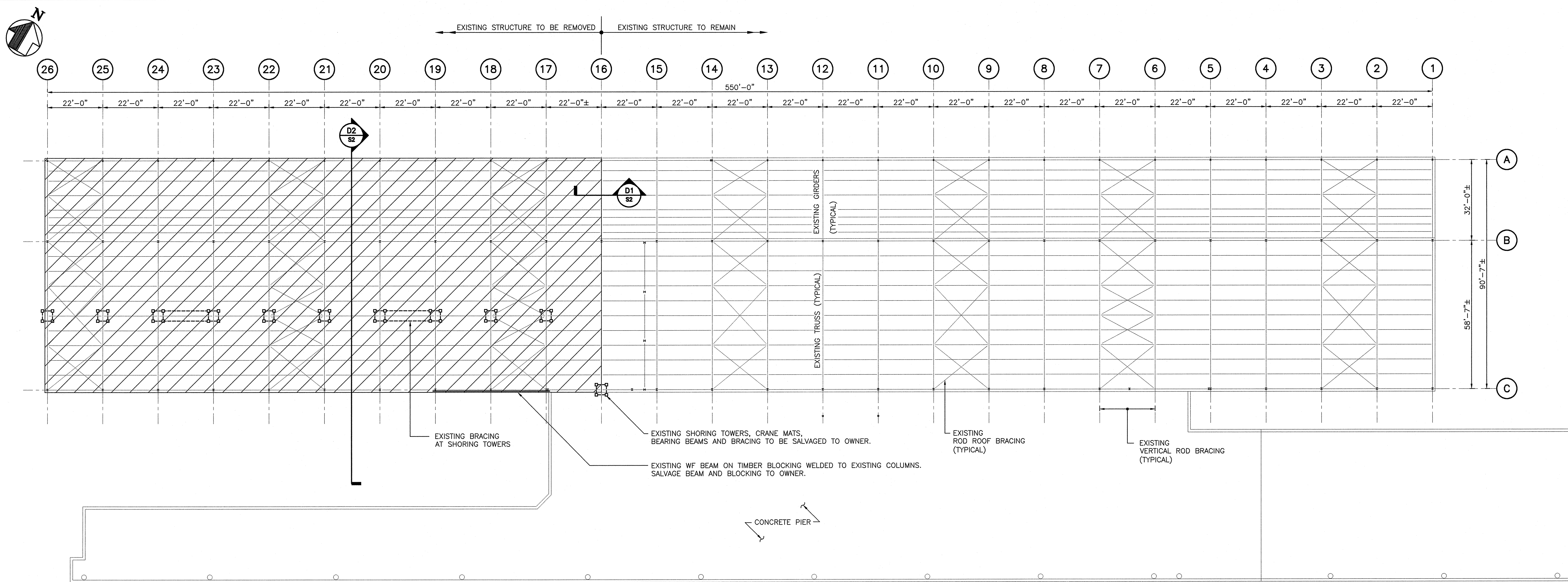
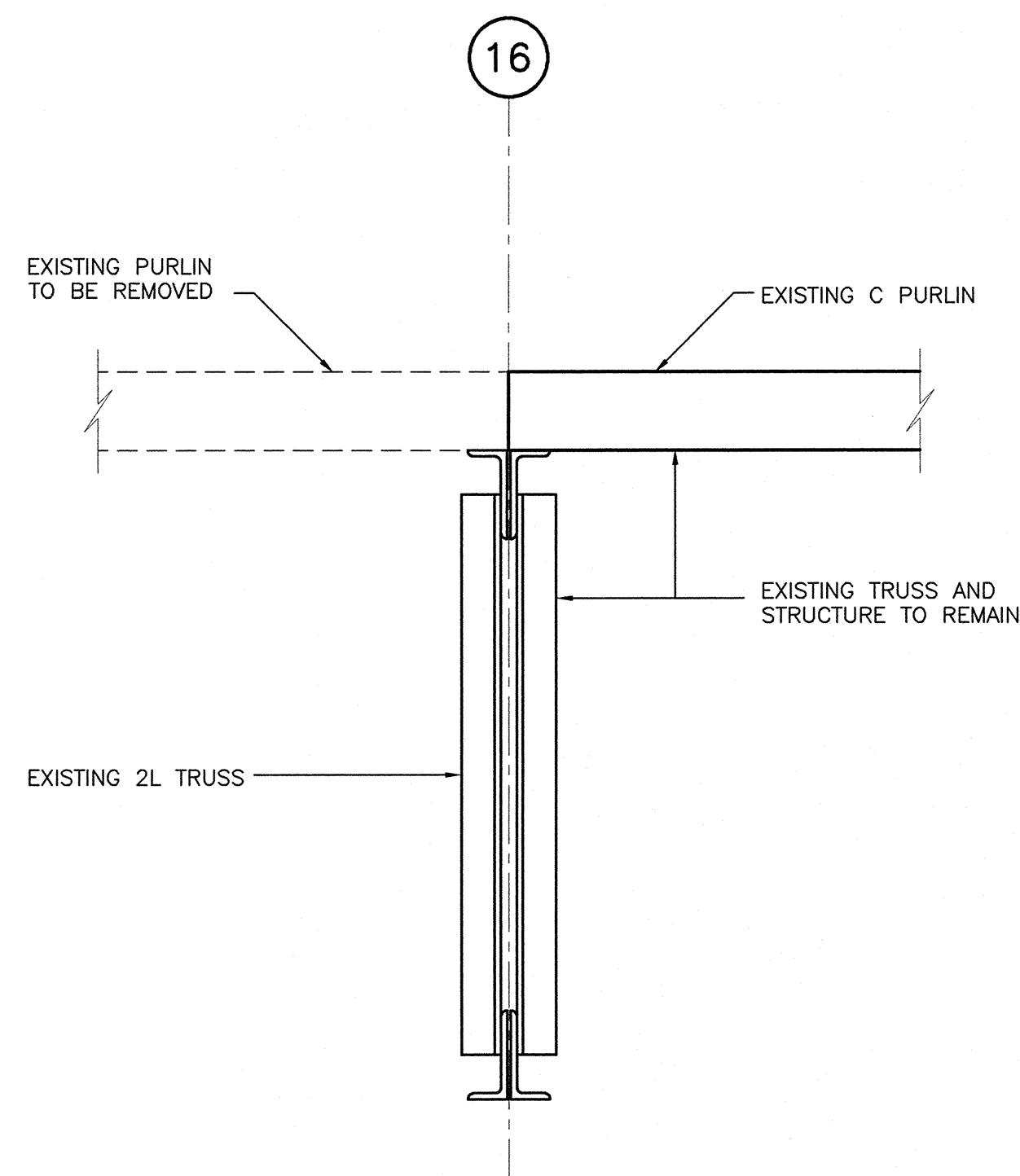


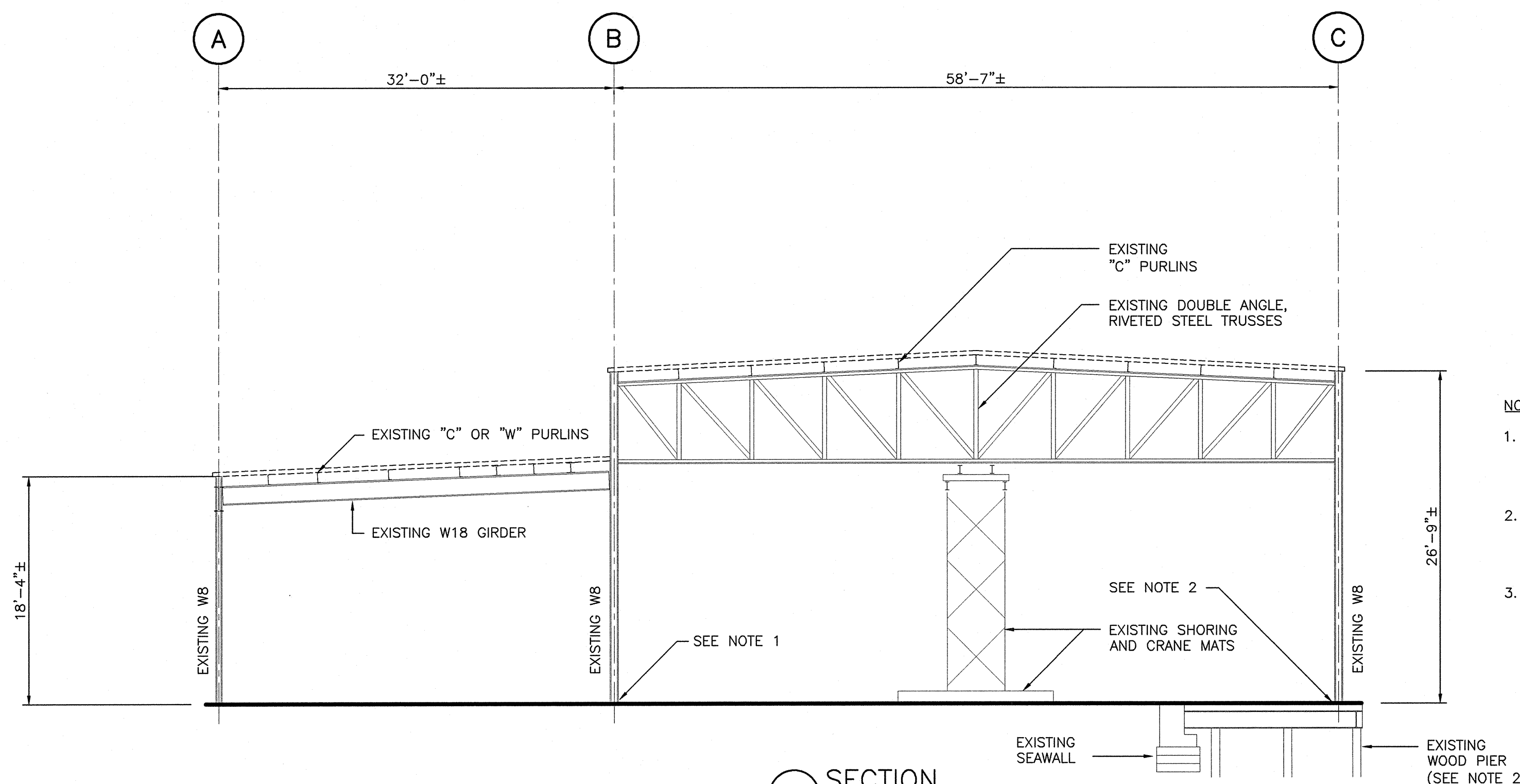
REVIEWED BY: CIVIL: INTERMEDIATE ARCH: INTERMEDIATE STRU: INTERMEDIATE PLUM: INTERMEDIATE FIRE: INTERMEDIATE MECH: INTERMEDIATE ELEC: INTERMEDIATE



**STRUCTURAL DEMOLITION PLAN**  
SCALE: 1" = 20'



**D1 SECTION**  
SCALE: 3/4" = 1'-0"



**D2 SECTION**  
SCALE: 1/8" = 1'-0"  
(TYPICAL FRAME TO BE REMOVED)

**NOTES:**

1. REMOVE SUPERSTRUCTURE, COLUMNS AND COLUMN BASE PLATES. CUT OFF ANCHOR BOLTS FLUSH WITH TOP OF CONCRETE OR WOOD DECK.
2. COLUMNS AT LINES "C16" TO "C26" ARE SUPPORTED ON AN UNSTABLE WOODEN PIER. NO EQUIPMENT OR OTHER LOADS SHOULD BE PLACED ON WOOD PIER OR SEAWALL.
3. PARTITIONS, SIDING, ELEVATED FLOORS AND OTHER ARCHITECTURAL ITEMS ARE NOT SHOWN FOR CLARITY.

DRAWING FILE: N:\Projects\17181\ACAD\SERVA\17181\F5001.dwg PLOTTED: Nov 16, 2004 - 8:57am BY: KChan

**BID ISSUE - NOVEMBER 19, 2004**

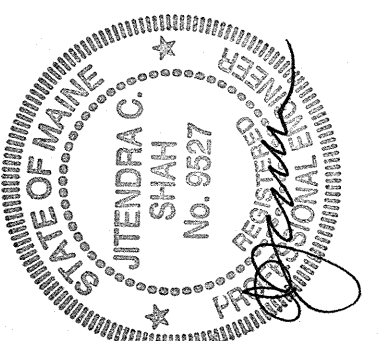
PARTIAL DEMOLITION  
OF INTERNATIONAL MARINE TERMINAL  
COMMERCIAL STREET - PORTLAND, MAINE

**STRUCTURAL  
DEMOLITION PLAN**

PROJECT NO.: 17181  
DESIGNED BY: S.P.B.  
DRAWN BY: K.C.  
CHK'D BY:  
DATE: 11/19/04  
SCALE: AS NOTED  
SHEET NO.:

52

SHEET 4 OF 8



**Maguire Group Inc.**  
Architects / Engineers / Planners  
400 Commercial Street  
Portland, Maine 04101



MARK	DATE	DESCRIPTION	BY	APP'D