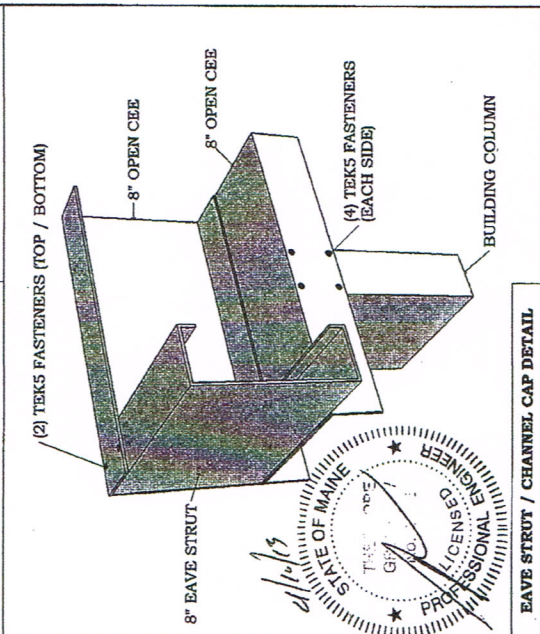
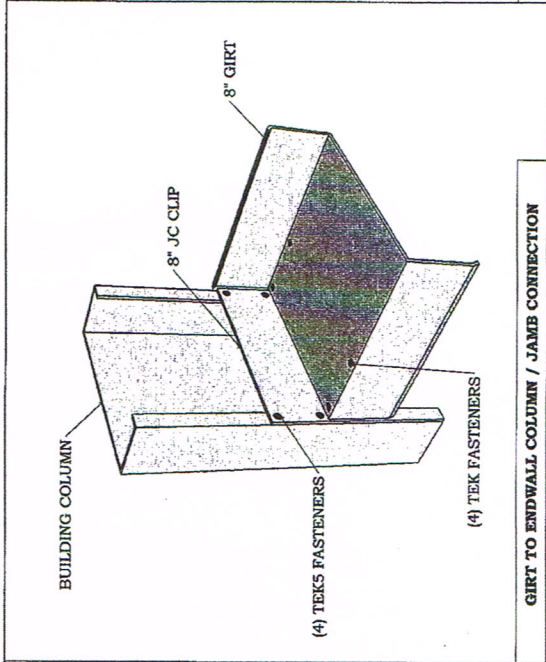


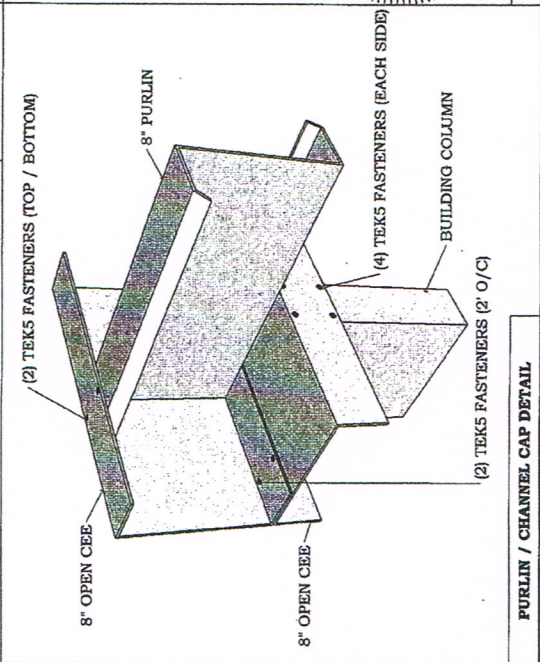
GIRT TO CORNER COLUMN CONNECTION



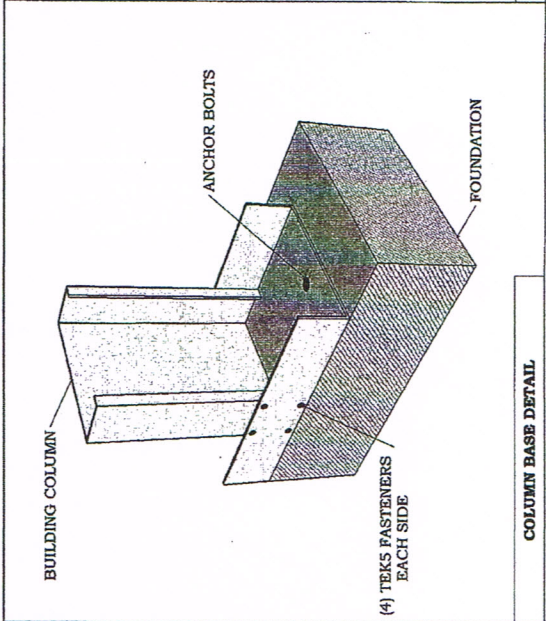
EAVE STRUT / CHANNEL CAP DETAIL



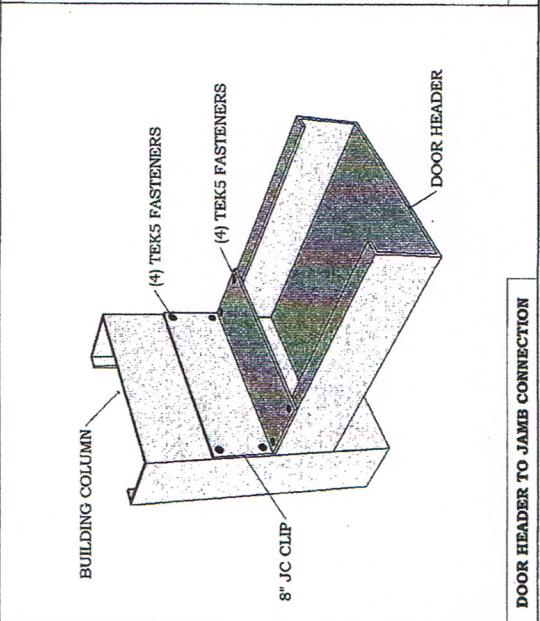
GIRT TO ENDWALL COLUMN / JAMB CONNECTION



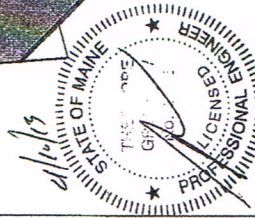
PURLIN / CHANNEL CAP DETAIL



COLUMN BASE DETAIL



DOOR HEADER TO JAMB CONNECTION



<p>OWNER State of Maine Department of Transportation</p>		<p>ENGINEER OF RECORD Ted Greenlaw, P.E. 183 Columbia Road Hanover, MA 02339</p>																			
<p>DETAILS / CONNECTIONS</p>		<p>BUILDING PLAN & NOTES PORTLAND MARINE TERMINAL UTILITY BUILDING ADDITION</p>																			
<p>REVISIONS</p> <table border="1"> <thead> <tr> <th>NO.</th> <th>DATE</th> <th>REVISIONS</th> </tr> </thead> <tbody> <tr> <td>1</td> <td>04/10/2013</td> <td>Issued For Construction</td> </tr> <tr> <td>2</td> <td></td> <td></td> </tr> <tr> <td>3</td> <td></td> <td></td> </tr> <tr> <td>4</td> <td></td> <td></td> </tr> <tr> <td>5</td> <td></td> <td></td> </tr> </tbody> </table>				NO.	DATE	REVISIONS	1	04/10/2013	Issued For Construction	2			3			4			5		
NO.	DATE	REVISIONS																			
1	04/10/2013	Issued For Construction																			
2																					
3																					
4																					
5																					
<p>004</p>		<p>1</p>																			