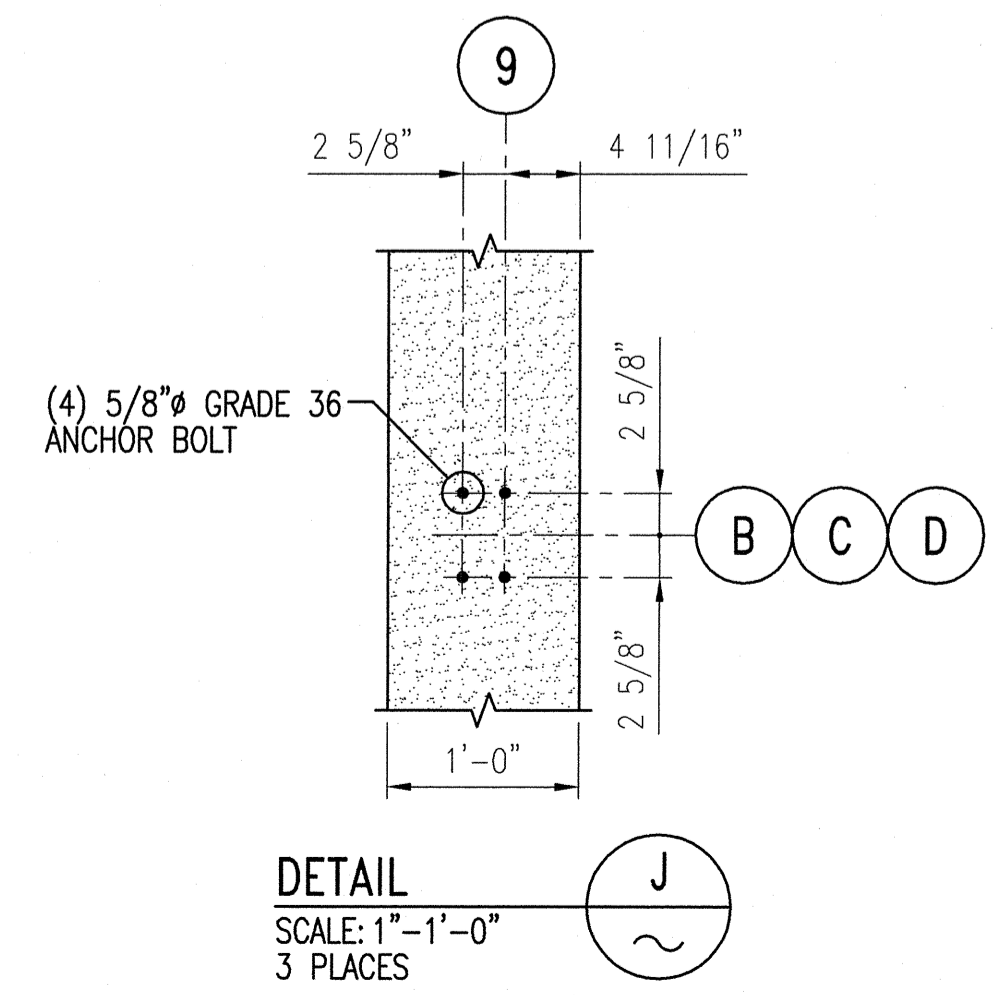
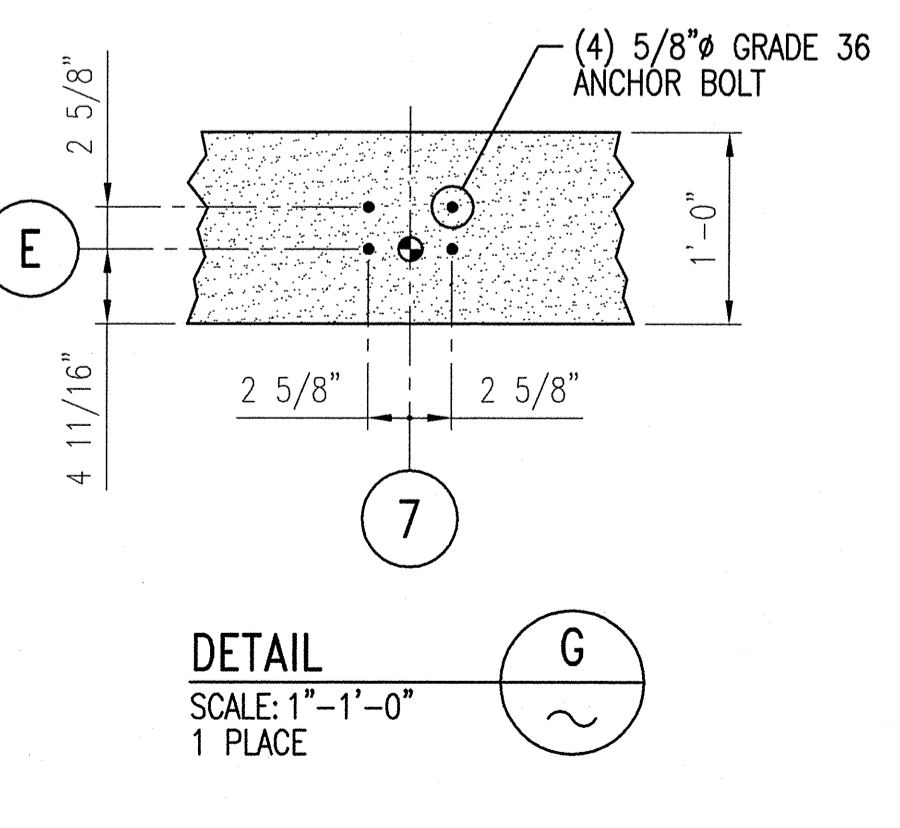
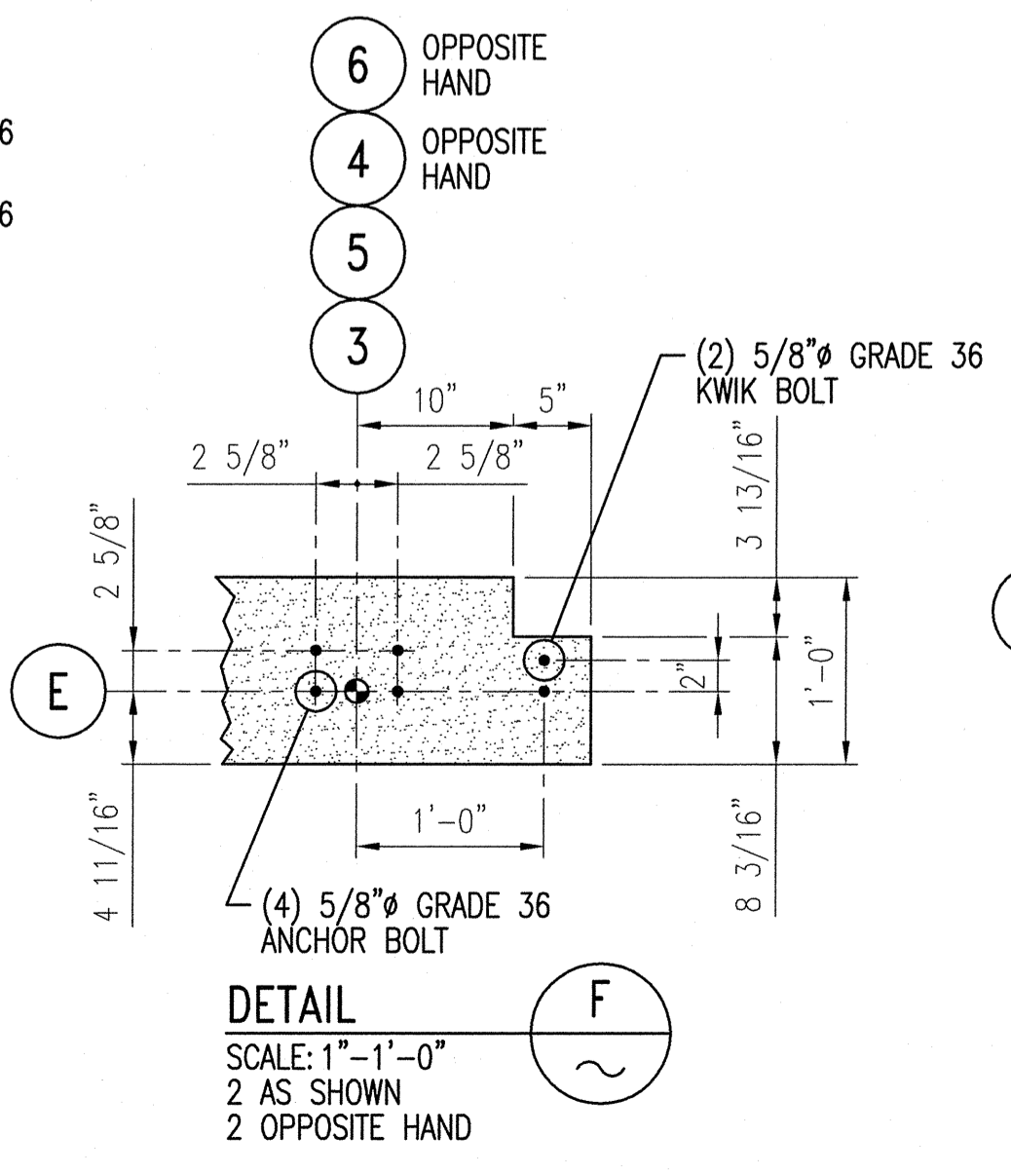
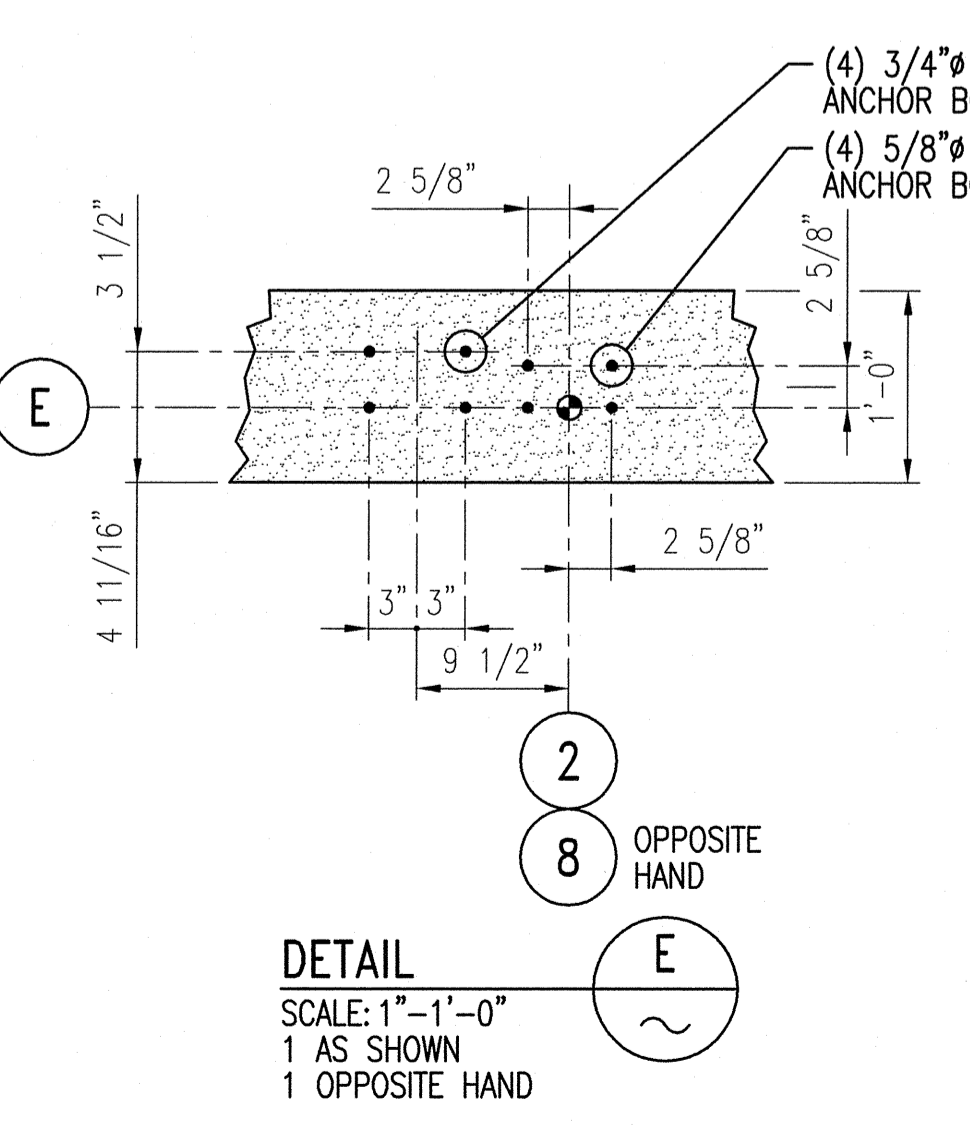
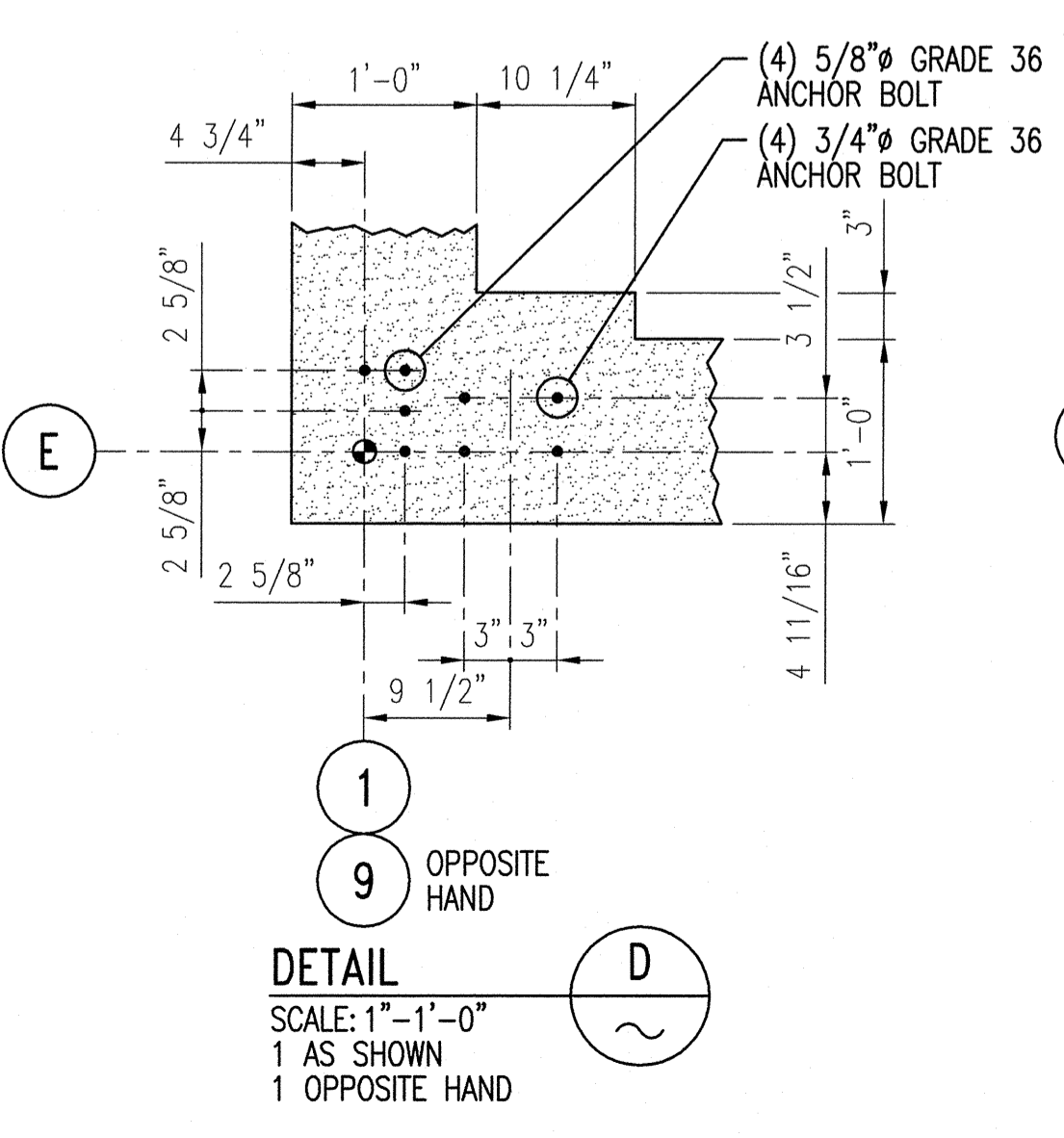
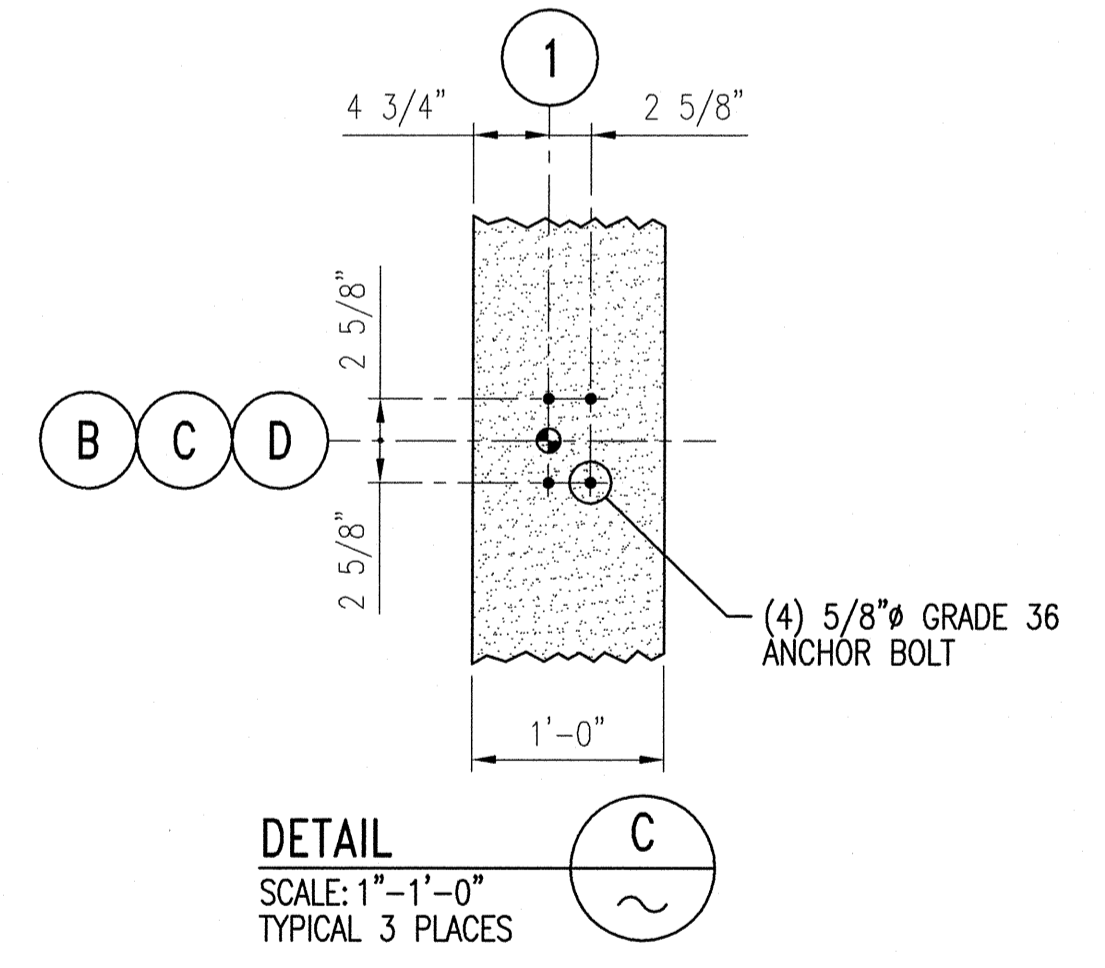
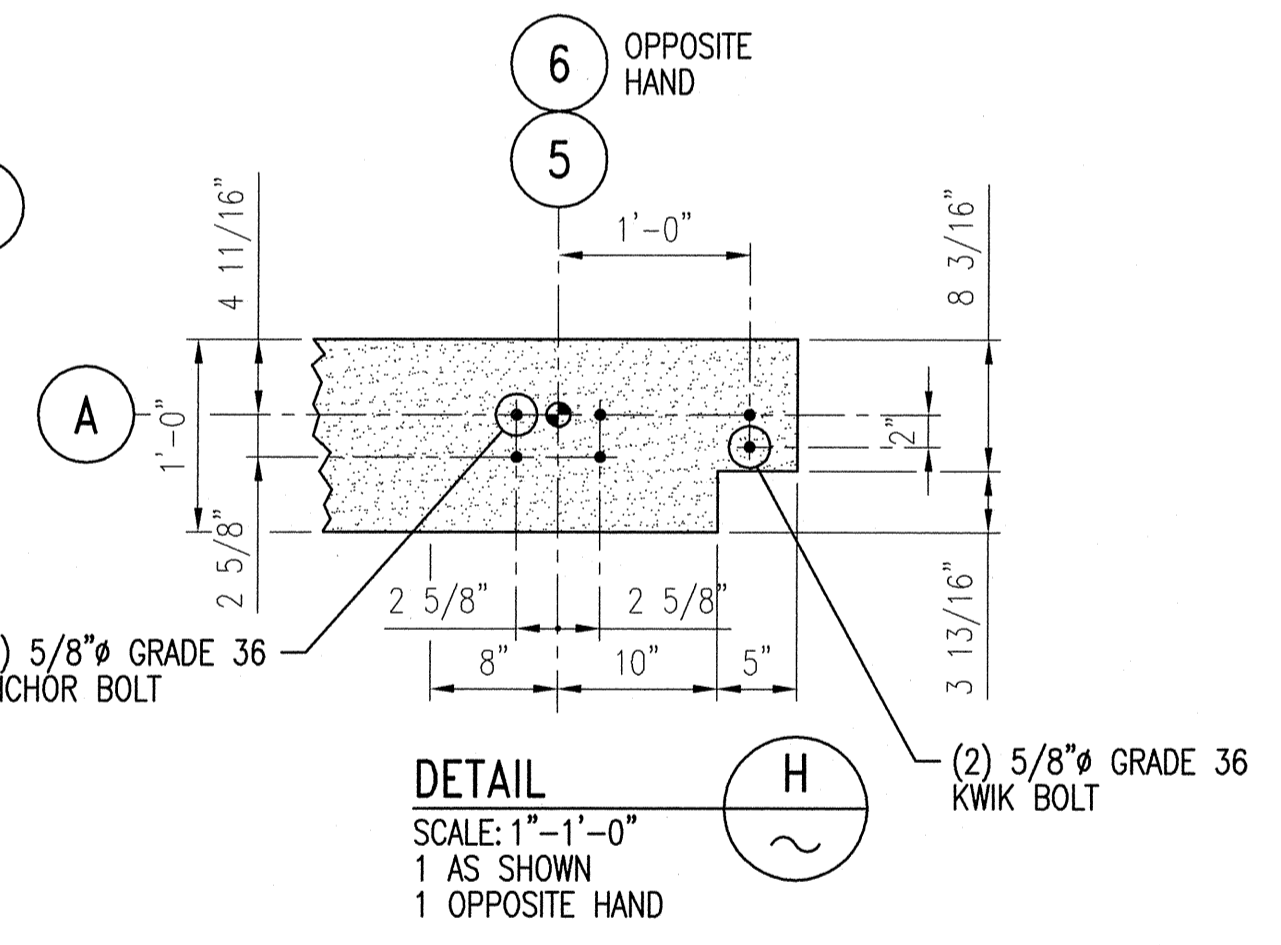
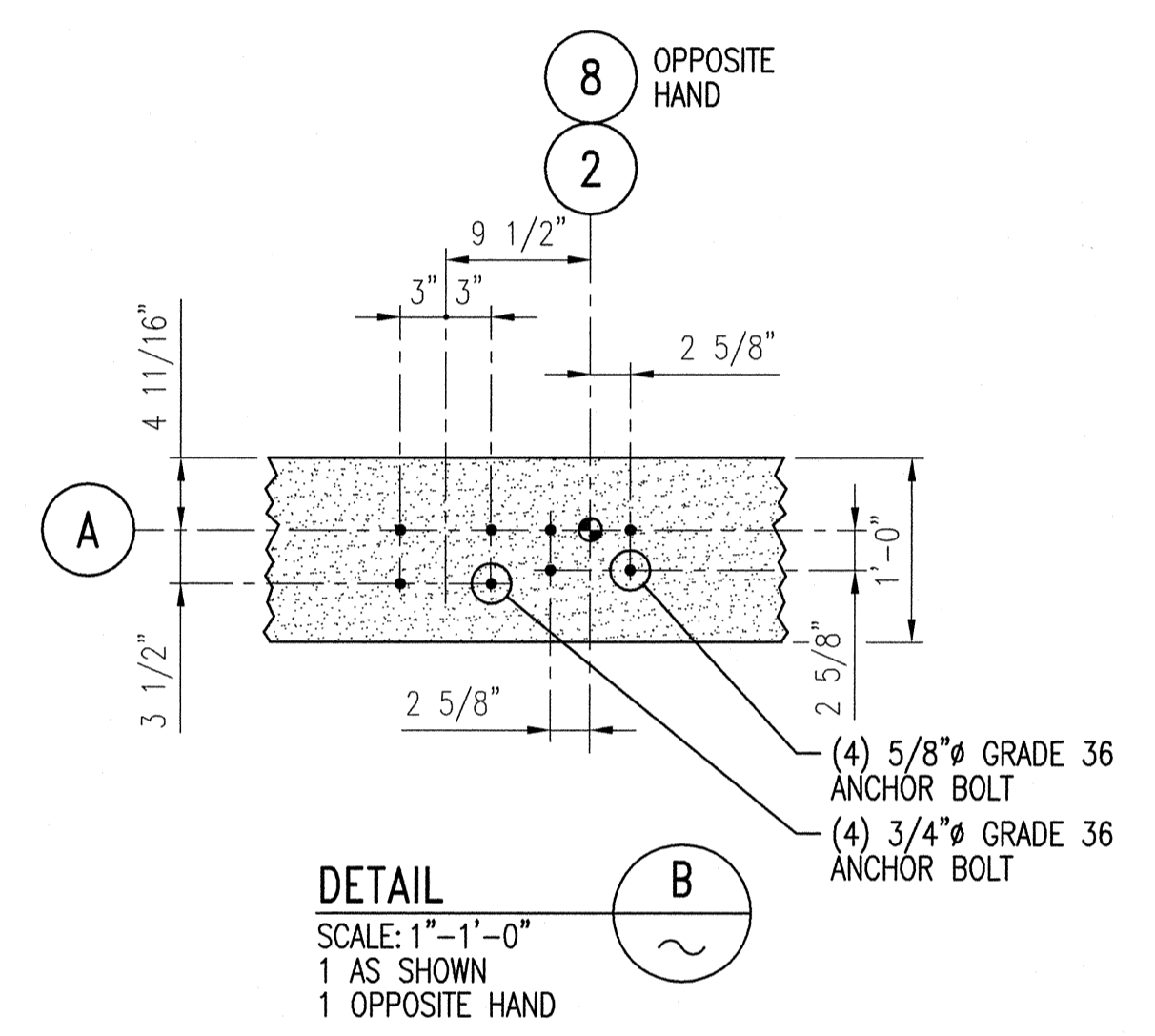
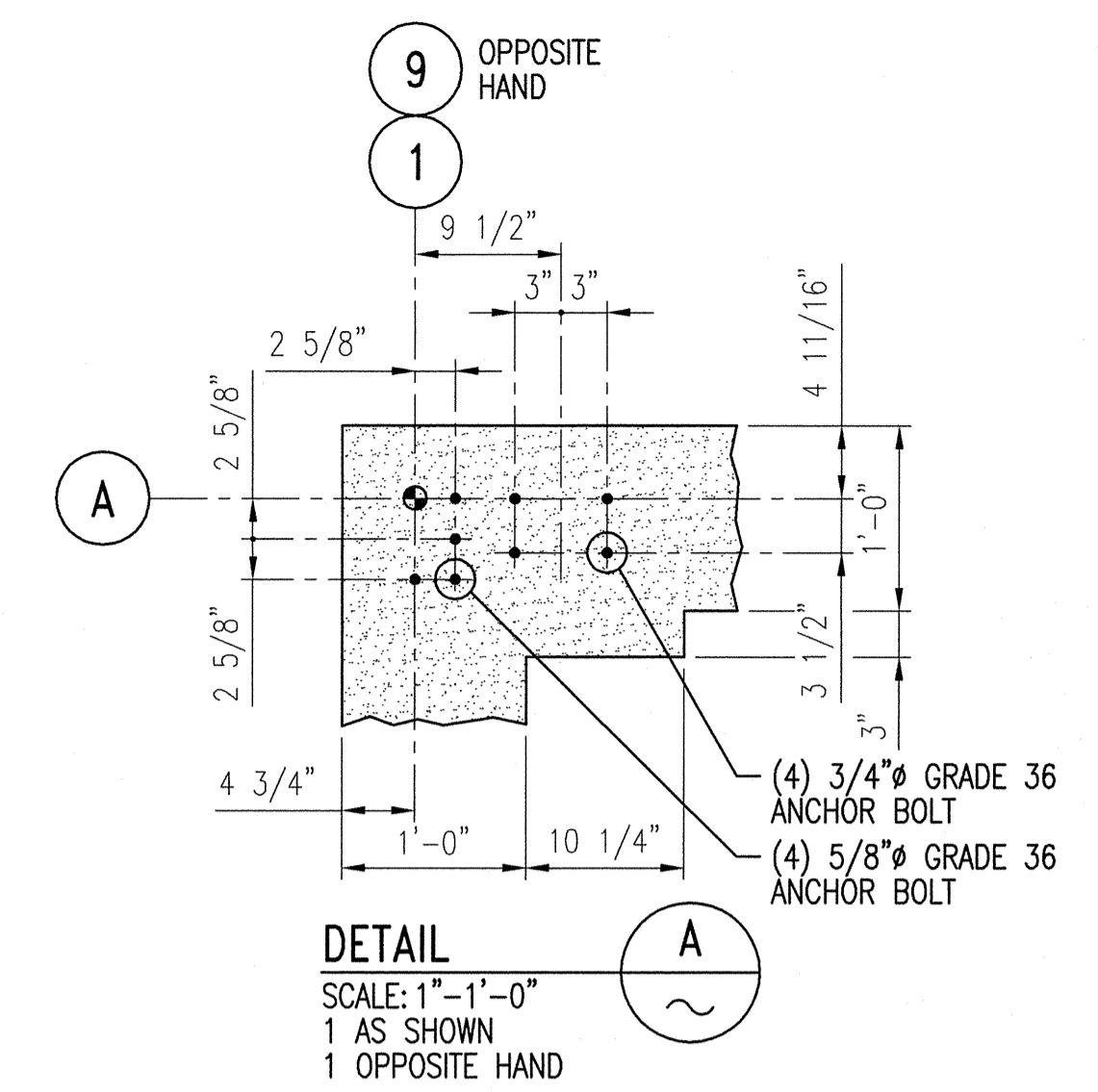


FOUNDATION PLAN
SCALE: 1/8"=1'-0"



PRELIMINARY - NOT FOR CONSTRUCTION

APPROVED FOR CONSTRUCTION

SUPERSEDES ALL PREVIOUS ISSUES

BY *[Signature]* DATE _____

REFERENCE DRAWINGS

DWG. NO.	TITLE	BY

NOTE:

1. SEE DRAWING 25760-C-3001 FOR GENERAL NOTES.

Released For Bid
Date: FEB. 24, 2005

PRELIMINARY
NOT FOR
CONSTRUCTION

FEB. 24, 2005

NO.	DATE	BY	REVISIONS	CKD.
A			CLIENT	PERMITTING AND BID
REV.			ISSUED TO	ISSUED FOR

THIS DRAWING IS THE PROPERTY OF NEILL AND GUNTER INCORPORATED AND IS TO BE USED ONLY FOR THE SPECIFIC PROJECT IDENTIFIED ON THE DRAWING. NO REVISIONS SHALL BE MADE WITHOUT THE EXPRESSED WRITTEN CONSENT OF NEILL AND GUNTER INCORPORATED.

NO.	DATE	BY	REVISIONS	CKD.
DESIGNED	RHD	DRAWN	SWM	
CHECKED		DATE	2/24/05	
DESIGN	DFTG.	SCALE	1"=1'	
APPROVED		SPEC.		
PROD. ENG.				

Neill and Gunter

CITY OF PORTLAND
PORTLAND INTERNATIONAL MARINE TERMINAL
PORTLAND, MAINE

RUBB BUILDING

FOUNDATION PLAN AND DETAILS

JOB NO. 25760 DWG. NO. 25760-C-3003