

Vent

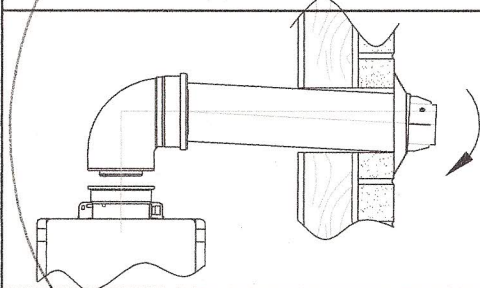
# Flue Installation - Concentric Venting (R50LSi, R75LSi, R94LSi)

## Horizontal Termination without using the Condensate Collector

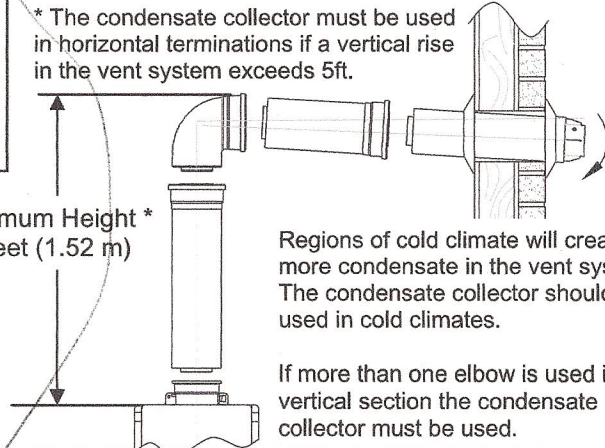
### WARNING

If the condensate collector is not used, the drain pipe must be capped to prevent exhaust gases and condensate from entering the building. The cap is supplied on the appliance.

\* The condensate collector must be used in horizontal terminations if a vertical rise in the vent system exceeds 5ft.



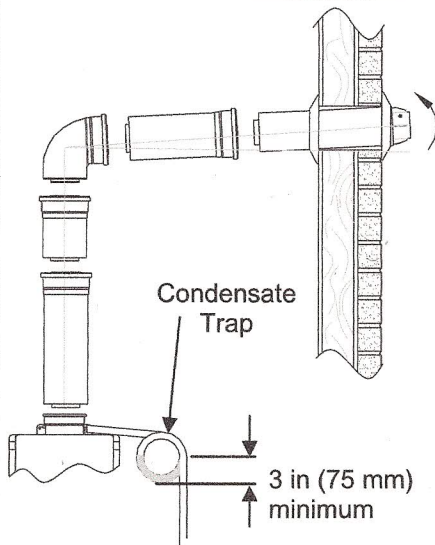
Maximum Height \*  
5 feet (1.52 m)



Regions of cold climate will create more condensate in the vent system. The condensate collector should be used in cold climates.

If more than one elbow is used in the vertical section the condensate collector must be used.

## Horizontal Termination using the Condensate Collector

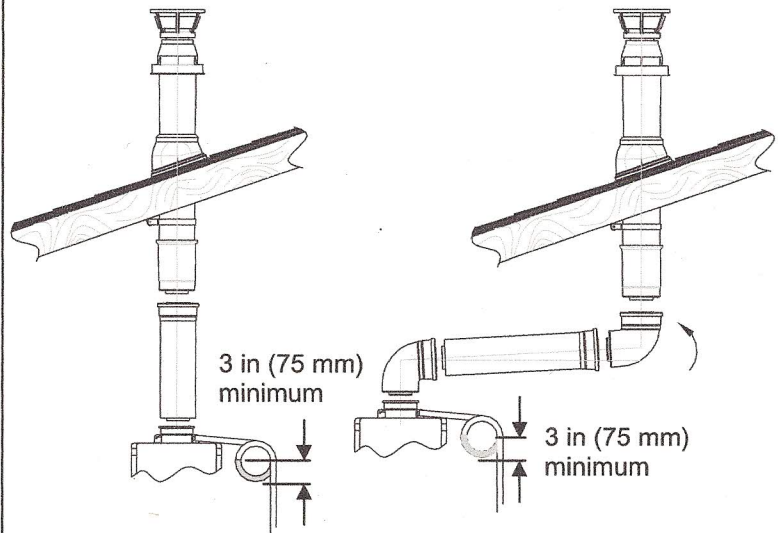


Condensate Trap

3 in (75 mm) minimum

## Vertical Termination

(condensate collector must be used in all installations)

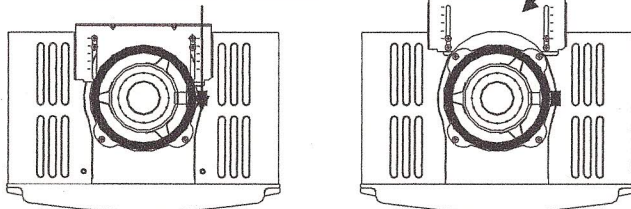


3 in (75 mm) minimum

3 in (75 mm) minimum

Condensate Collector

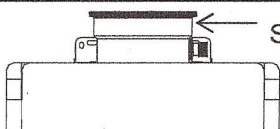
Bracket



To adjust the condensate collector position or to replace the female vent top with a male vent top:

1. Loosen the 4 screws at the rear bracket
2. Slide the bracket away from the female vent top.
3. Remove the 4 screws attaching the female vent top to the water heater.
4. Lift up the female vent top and reposition as desired (or replace with a male vent top).
5. Install the 4 screws at the vent top and tighten the 4 screws at the bracket.

Securing Screw



Secure the first vent component to the water heater with one self-tapping screw at the hole located above the condensate collector.