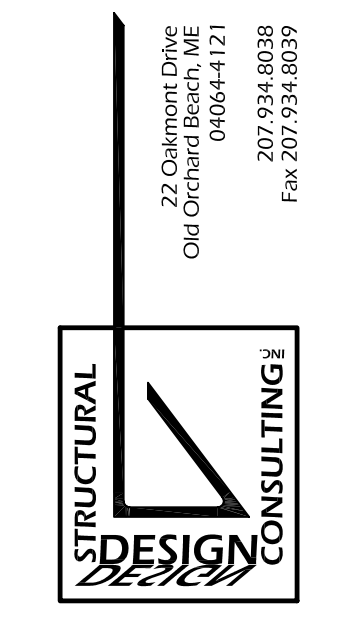
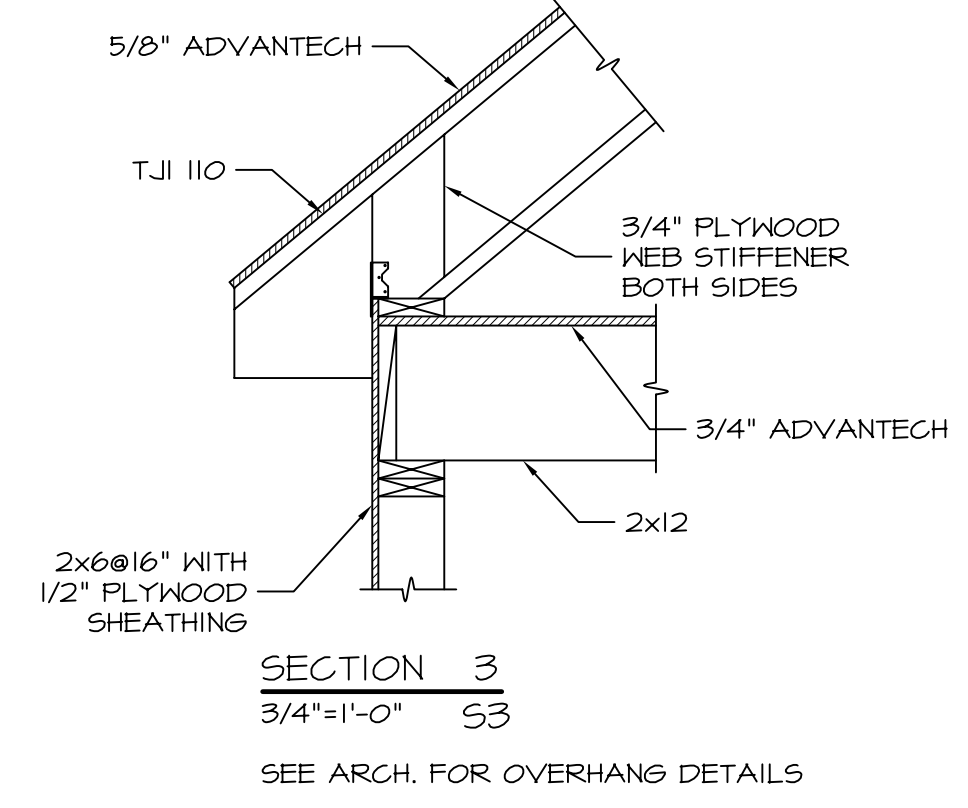
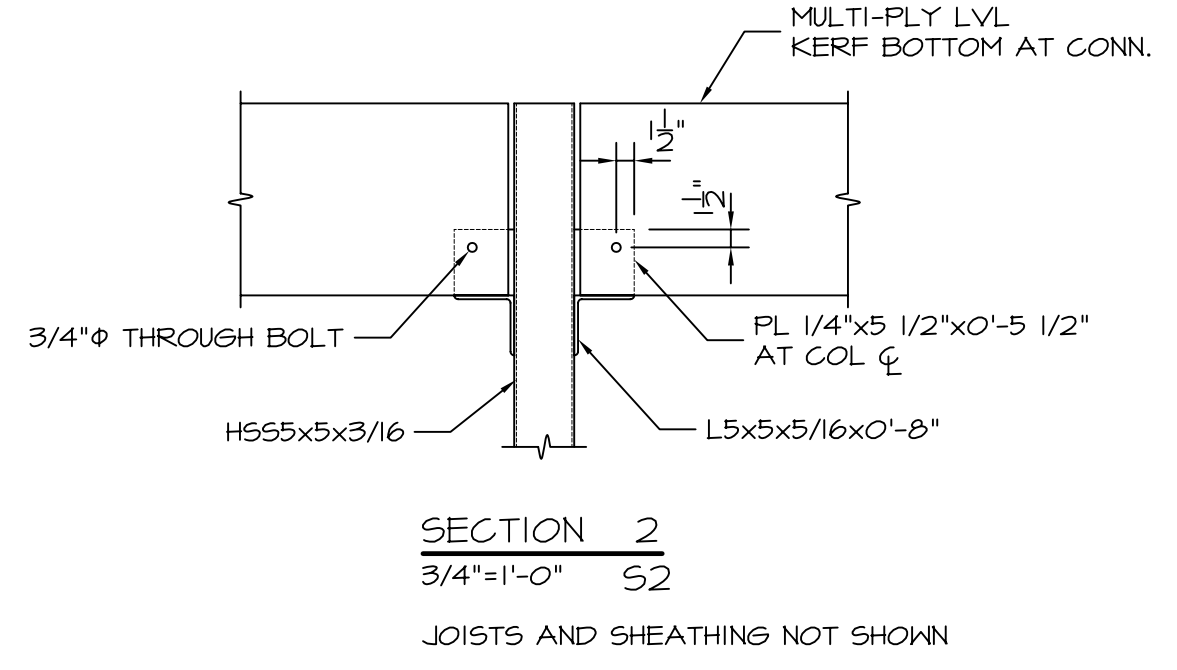
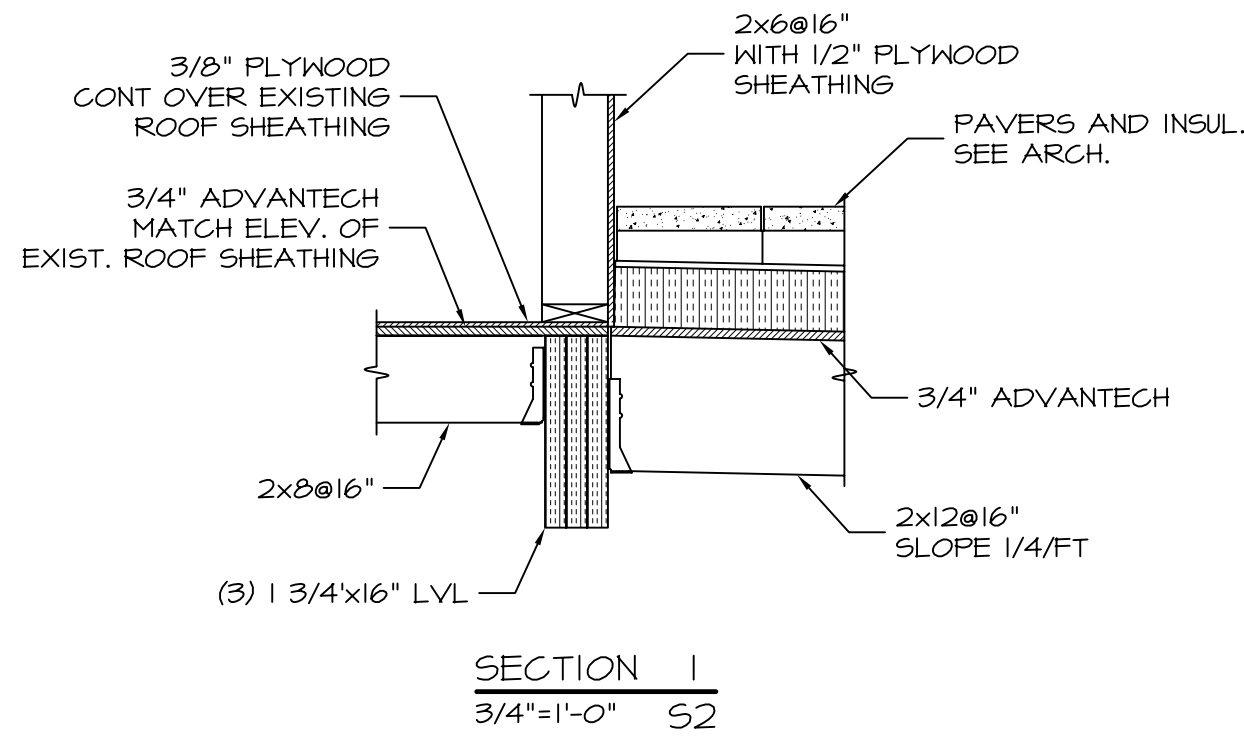


ROOF FRAMING PLAN
1/4"=1'-0"
SHEATHING IS 5/8" ADVANTECH

FRAMING HARDWARE SCHEDULE	
LOCATION	SIZE
6x6 POST BASE (NEAR EXIST. ENTRANCE)	SIMPSON CBS066-SD52
ANCHOR RODS AT FRONT REPLACEMENT WALL	5/8" SIMPSON TITEN HD WITH 3 1/2" EMBEDMENT
SHEARWALL TIEDOWN (8 PLACES)	SIMPSON HDQ8-SD53 AND 1/8"φ ANCHOR ROD WITH MIN 12" EMBEDMENT
6x6 POST CAP AT 1ST FLR MIDSPAN POST	SIMPSON CCG5-6SD52.5
6x6 POST CAP AT 1ST FLR END POST	SIMPSON ECQ5-6SD52.5
6x6 POST BASE AT LVL BELOW	INVERTED SIMPSON 6 MAX BEAR POST DIRECTLY ON LVL
2x8 FLUSH-FRAMED	SIMPSON LUS28
2x10 FLUSH-FRAMED	SIMPSON LUS210
2x12 FLUSH-FRAMED	SIMPSON LUS210
FLOOR JOIST AT BRG. WALL	SIMPSON A35
6x6 POST CAP AT 2ND FLR MIDSPAN POST	SIMPSON CCG71-6SD52.5 BLOCK (3) LVL SOLID
(4) 1 3/4"x18" LVL TO (3) 1 3/4"x14" LVL	SIMPSON GLTV418-2
6x6 POST CAP AT 2ND FLR CORNER POST	SIMPSON ECGL 5 1/4-6 HI=H2=8" V3 = 5 1/4" DIRECTION = L
TJI 110 RAFTERS AT RIDGE	SIMPSON LSSU125
TJI 110 RAFTERS AT WALL	SIMPSON H3
(3) 2x8 PORCH ROOF HEADER TO 6x6 POST	CONCEALED FLANGE SIMPSON HUS28



ARCHETYPE, P.A.
ARCHITECTS
48 Union Wharf Portland, Maine 04101
(207) 772-6022 Fax: (207) 772-4056

BECKY'S DINER
PORTLAND, MAINE

Project:

Date	NOV. 21, 2006
Scale	AS NOTED
Revisions:	01/10/07

ROOF FRAMING PLAN
FRAMING DETAILS