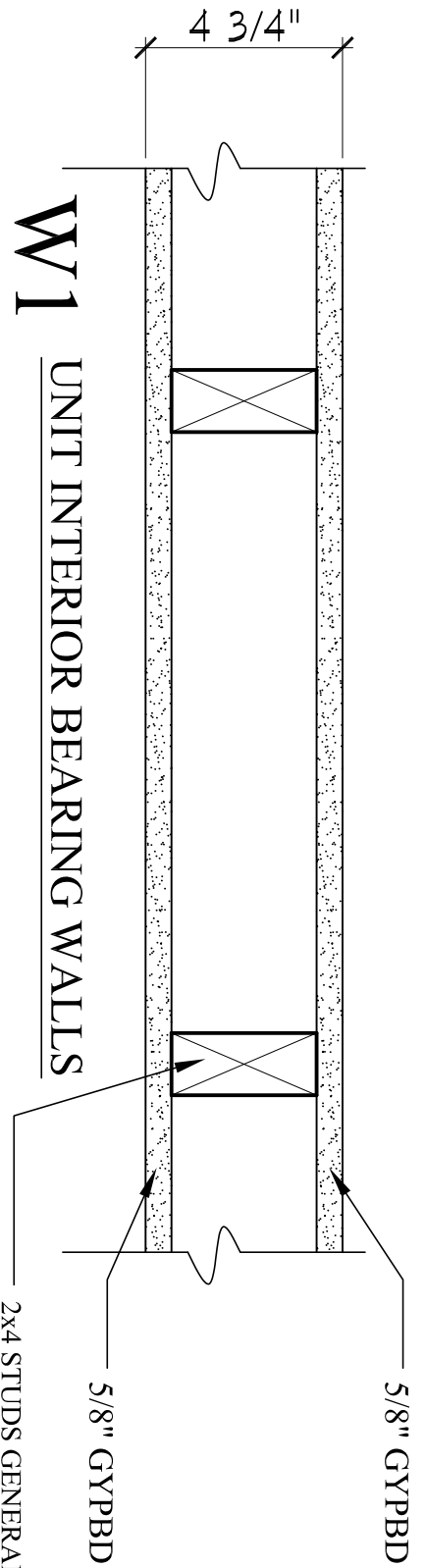


WALL TYPES

SCALE: NTS



2x6 STUDS AT PLUMBING WALLS

W1 1 HOUR BEARING WALL ASSEMBLY

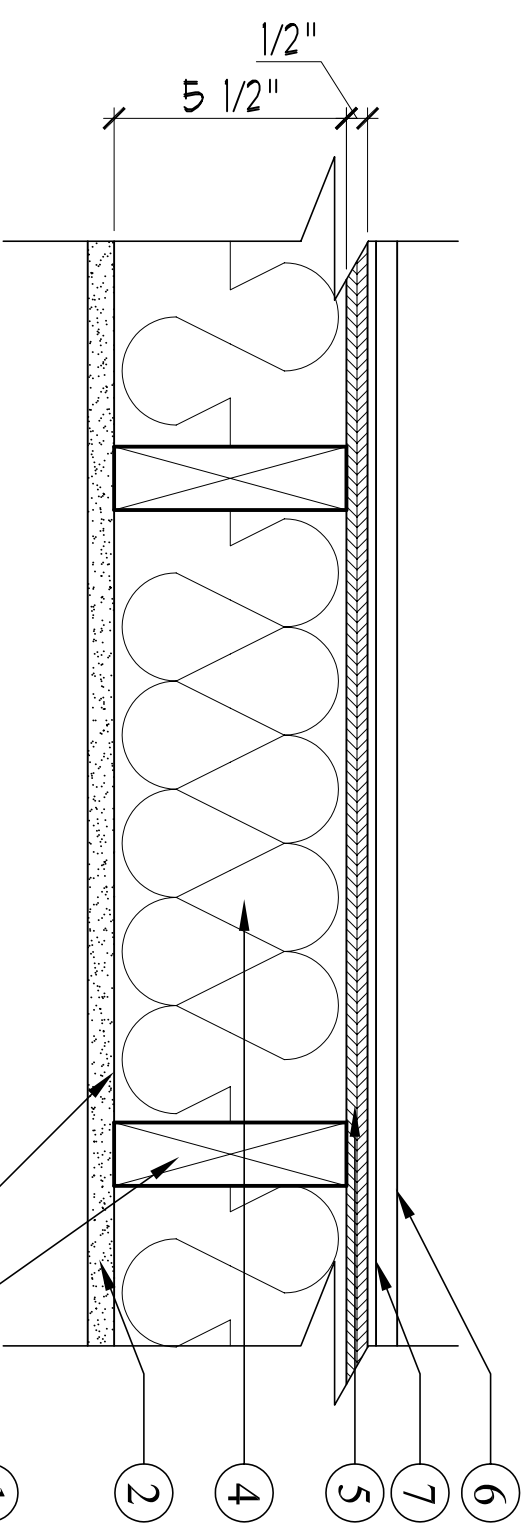
GA FILE NO. WP 3510 GENERIC 1 HOUR FIRE -35 to 39 STC SOUND
Fire Test: UL R3501-47, -48, 9-17-65; Design U309; UL R1319-129; 7-22-70, UL Design U314
Sound Test: NCG 2404, 10-14-70
GYPSUM WALLBOARD, WOOD STUDS
One layer 5/8" type X gypsum wallboard or gypsum veneer base applied parallel or at right angles to each side of 2x4 OR 2 x 6 wood studs 24" o.c. (SEE STRUCTURAL FOR SPACING) with 6d coated nails, 17/8" long, 0.0915" Shank, 1/4" heads, 7" o.c.
Joints staggered 24" on opposite sides. (LOAD-BEARING)

NOTE: MR GYPBD IN ALL BATHROOMS & KITCHEN

W2 1 HOUR EXTERIOR WALL DESIGN NUMBER U.L. U356

1. **Wood Studs** – Nom 2 by 6 in. spaced 16 in. OC with two 2 by 6 in. top and one 2 by 6 in. bottom plates. Studs laterally-braced by wood structural panel sheathing (Item 5) and effectively fire stopped at top and bottom of wall.
2. **Wallboard, Gypsum** – Any UL Classified 5/8 in. thick, 4 ft wide, applied vertically and nailed to studs and bearing plates 7 in. OC with 6d cement-coated nails, 1-7/8 in. long with 1/4 in. diam head.
3. **Joints and Nailheads** – (Not Shown) – Wallboard joints covered with mps and joint compound. Nail heads covered with joint compound.
4. **Bats and Blankets** – UL Classified (High Density - ADDED) Glass fiber insulation, 6 in. thick, pressure fit to fill wall cavities between studs and plates. Glass fiber insulation to have a min density of 0.9 pcf (min R-19 thermal insulation rating).
5. **Wood Structural Panel Sheathing** – Min 7/16 in. thick, 4 ft wide wood structural panels; min grade "C-D" or "Sheathing" . Installed with long dimension of sheet (strength axis) or face grain of plywood parallel with or perpendicular to studs. Vertical joints centered on studs. Horizontal joints backed with nom 2 by 6 in. wood blocking. Attached to studs on exterior side of wall with 6d cement coated box nails spaced 6 in. OC at perimeter of panels and 12 in. OC along interior studs.
6. **Cedar Shingles**
7. **#15 Felt** (ADDED)
8. 6 mil poly vapor barrier (ADDED)

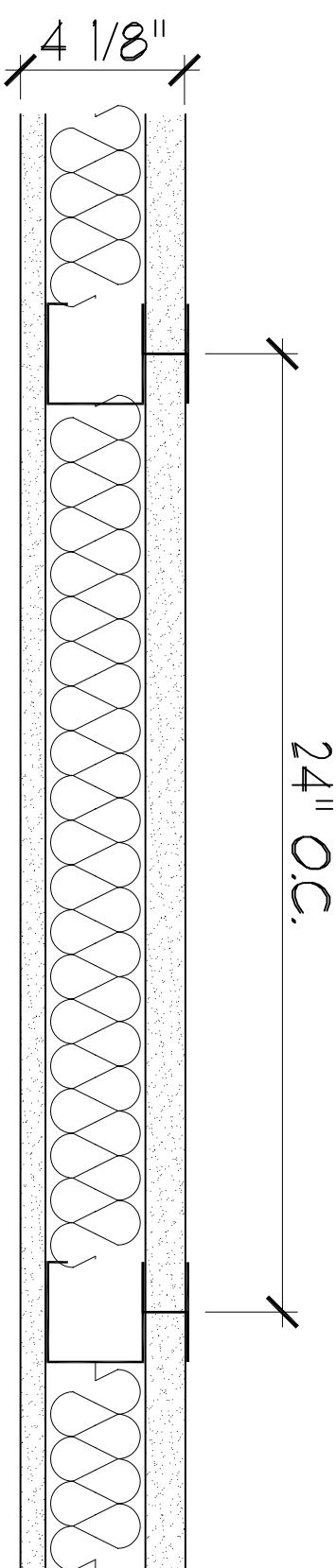
W2 1 HOUR EXTERIOR SHINGLE SIDING WALL



W3 GA FILE NO. WP 2008 PROPRIETARY 1 HOUR FIRE 35 TO 39 STC SOUND

Thickness: 3/4"
Approx. Weight: 8 pcf
UL Design U469
Sound Test: Estimated
Proprietary Gypsum Board
One layer: 1" x 24" proprietary type X gypsum panels inserted between 2 1/2" floor and ceiling J runners with H section of 2 1/2" proprietary vented C-H steel studs between panels.
OPPOSITE SIDE: One layer 5/8" proprietary type X gypsum wallboard or gypsum veneer base applied parallel to studs with 1" Type S drywall screws 12" o.c.
STC estimate based on 1" mineral fiber insulation in stud space. (NLB)
PROPRIETARY GYPSUM BOARD
Proprietary Gypsum Board, Type C Gypsum Panels
Lodge North America Inc. – 5/8" Firelock Type C
PABCO Gypsum – 5/8" FLAME GUARD Super Type C
United States Gypsum Company – 5/8" SHEETROCK Brand Gypsum Panels, FIRECODE C Core
– 1" SHEETROCK Brand Gypsum Liner Panels

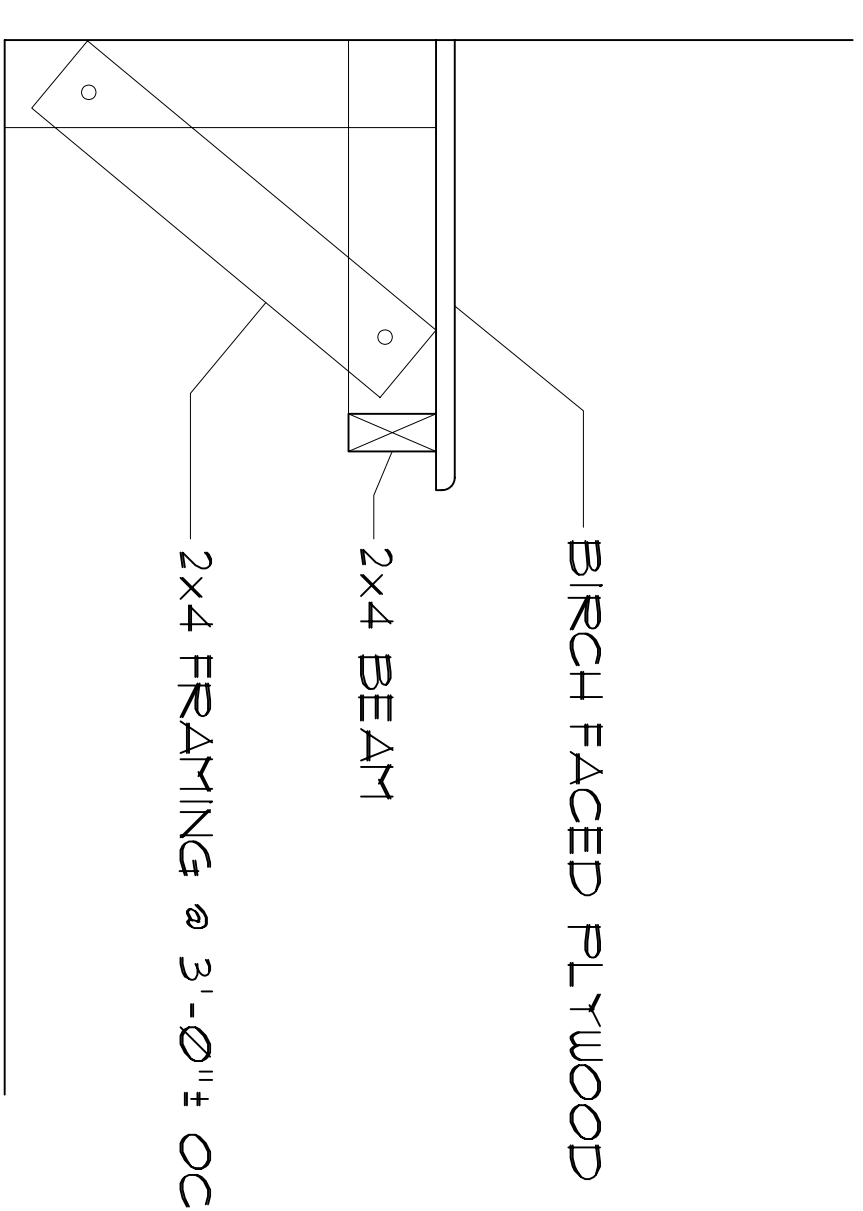
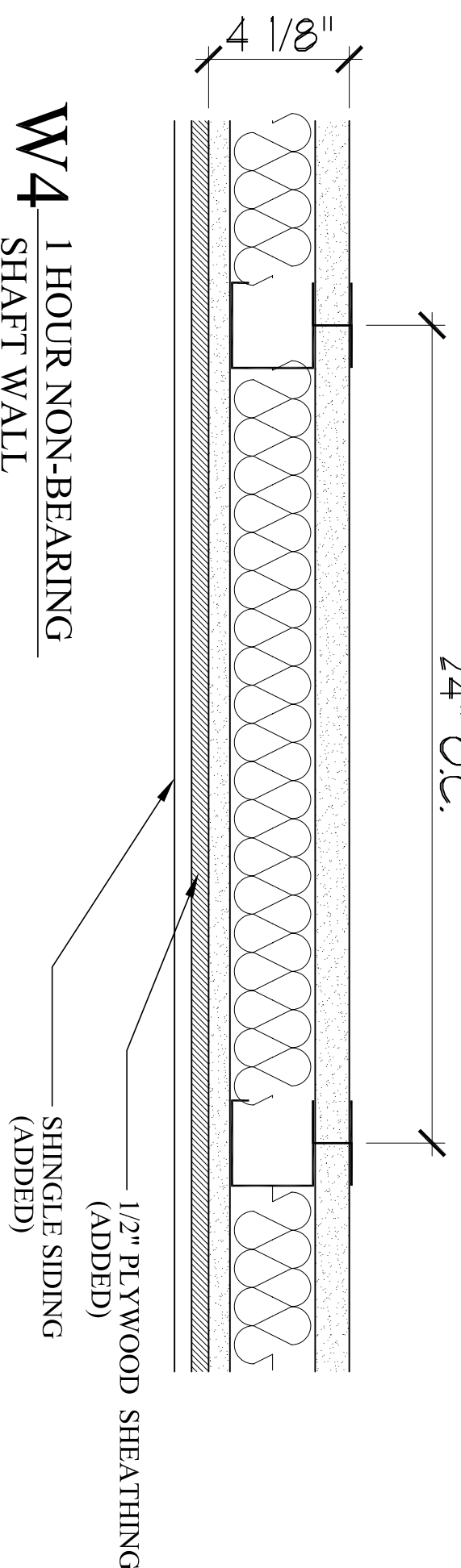
W3 1 HOUR NON-BEARING SHAFT WALL



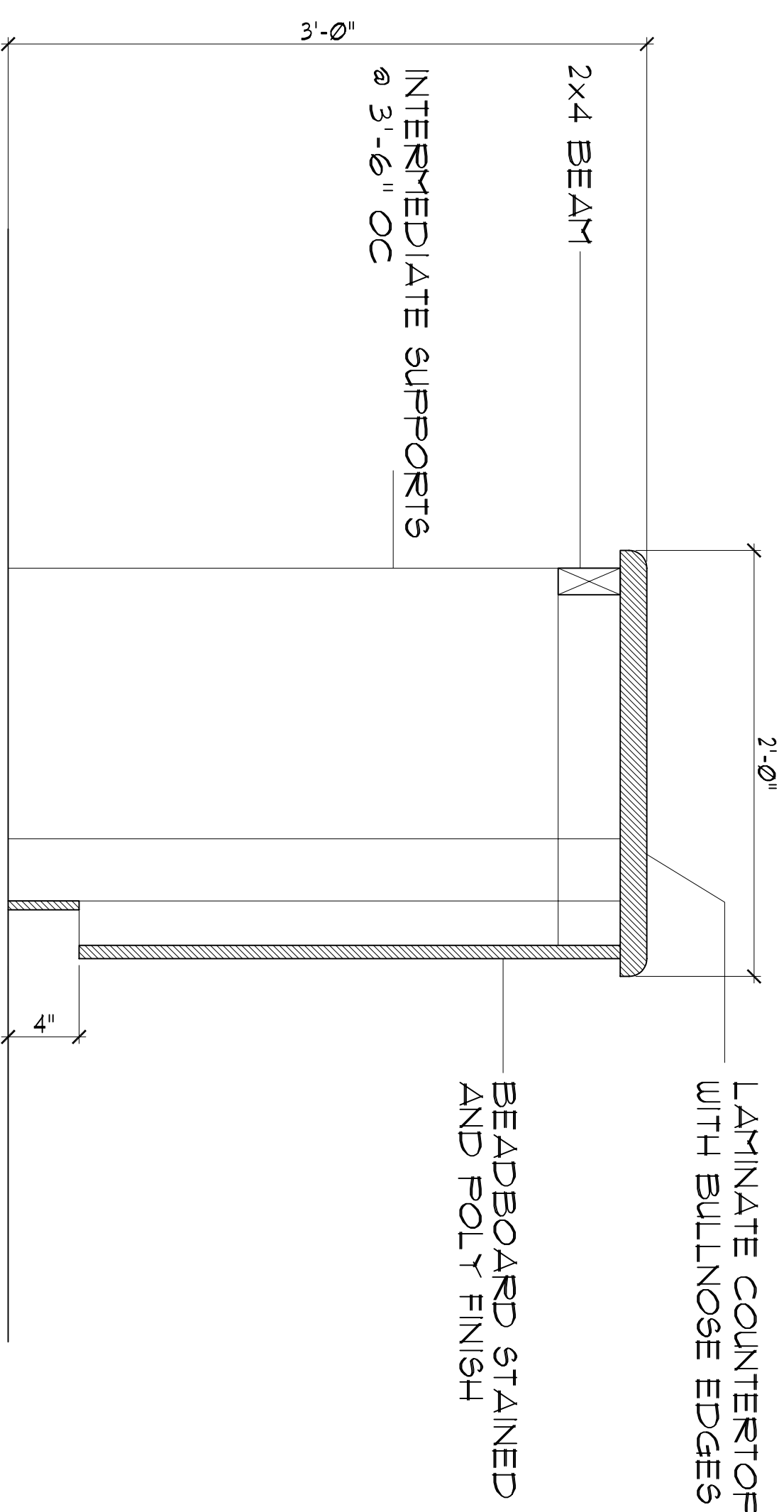
W4 GA FILE NO. WP 2008 PROPRIETARY 1 HOUR FIRE 35 TO 39 STC SOUND

Thickness: 3/4"
Limiting Height: Refer to manufacturer
Approx. Weight: 8 pcf
Fire Test: UL R1319, 88NK2747, 2-8--88, UL Design U469
Sound Test: Estimated
Proprietary Gypsum Board
GYPSUM WALLBOARD, STEEL C-H STUDS
One layer: 1" x 24" proprietary type X gypsum panels inserted between 2 1/2" floor and ceiling J runners with H section of 2 1/2" proprietary vented C-H steel studs between panels.
OPPOSITE SIDE: One layer 5/8" proprietary type X gypsum wallboard or gypsum veneer base applied parallel to studs with 1" Type S drywall screws 12" o.c.
Proprietary Gypsum Board
Proprietary Sheathing: 1" thick (ADDED)
Shingle siding nailed to sheathing (ADDED)
PROPRIETARY GYPSUM BOARD
BPB America Inc. – 5/8" Protec Type C Gypsum Panels
Lodge North America Inc. – 5/8" Firelock Type C
PABCO Gypsum – 5/8" FLAME GUARD Super Type C
United States Gypsum Company – 5/8" SHEETROCK Brand Gypsum Panels, FIRECODE C Core
– 1" SHEETROCK Brand Gypsum Liner Panels

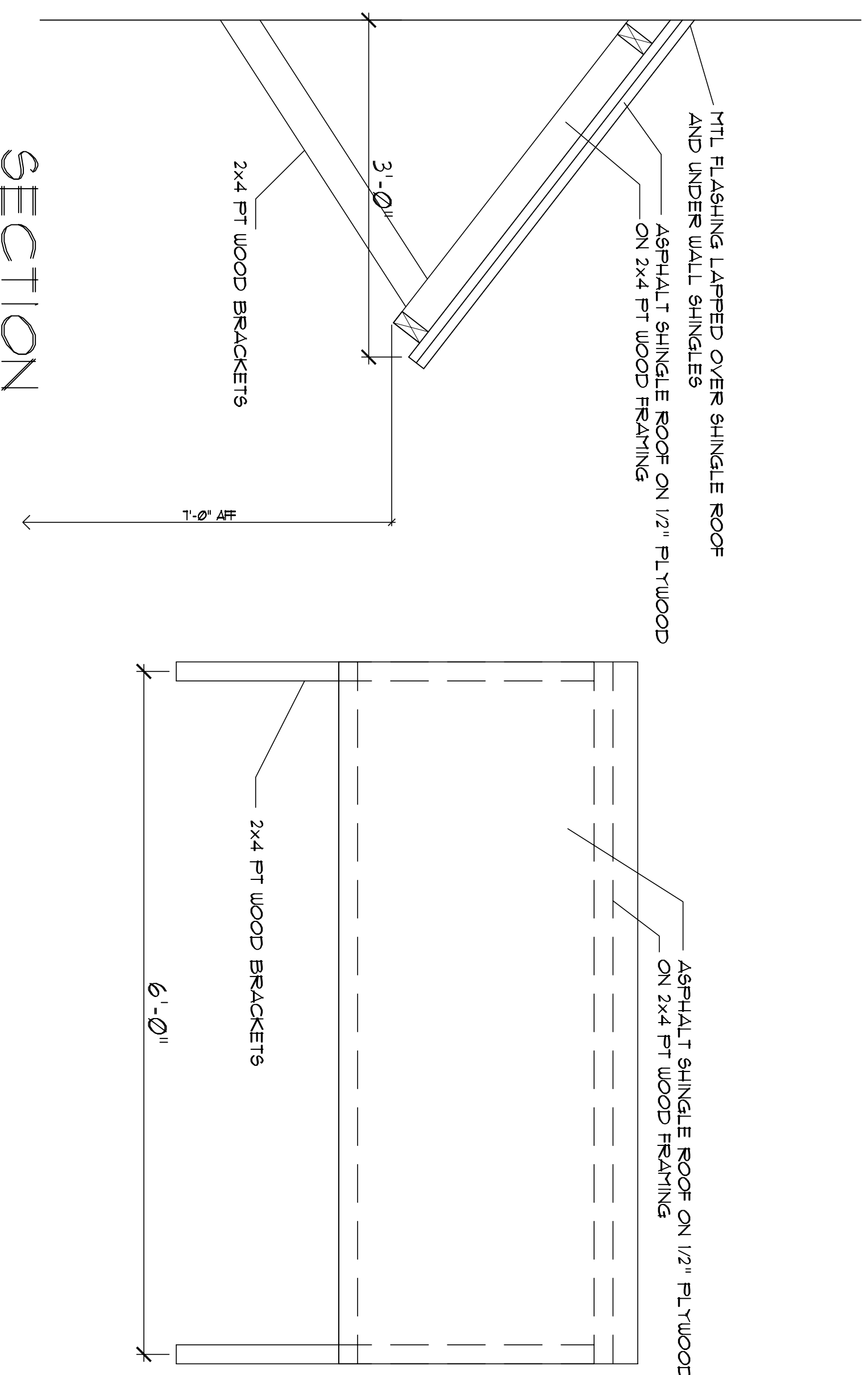
W4 1 HOUR NON-BEARING SHAFT WALL



2 BENCH DETAIL
SCALE: 1 1/2" = 1'-0"



3 COUNTER DETAIL
SCALE: 1 1/2" = 1'-0"



4 AWNING ROOF DETAIL
SCALE: 1" = 1'-0"

OWNER:

ARCHETYPE, P.A. ARCHITECTS

48 Union Wharf Portland, Maine 04101
(207) 772-6022 Fax (207) 772-4056

BECKY'S DINER

PORTLAND, MAINE

Project:

Scale: 1/2" = 1'-0"

Date: November 28, 2006

Revisions:

**WALL TYPES
DETAILS**

A-5