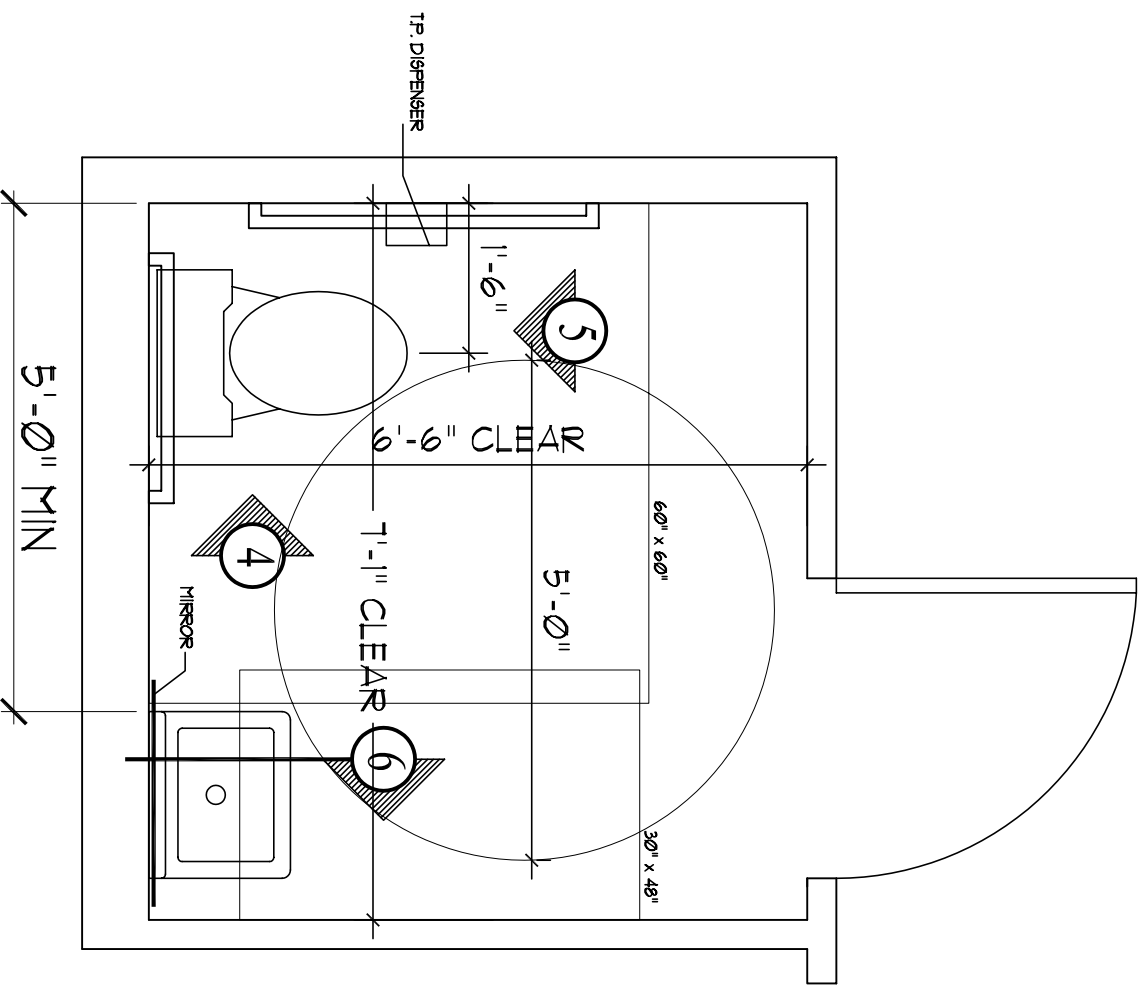
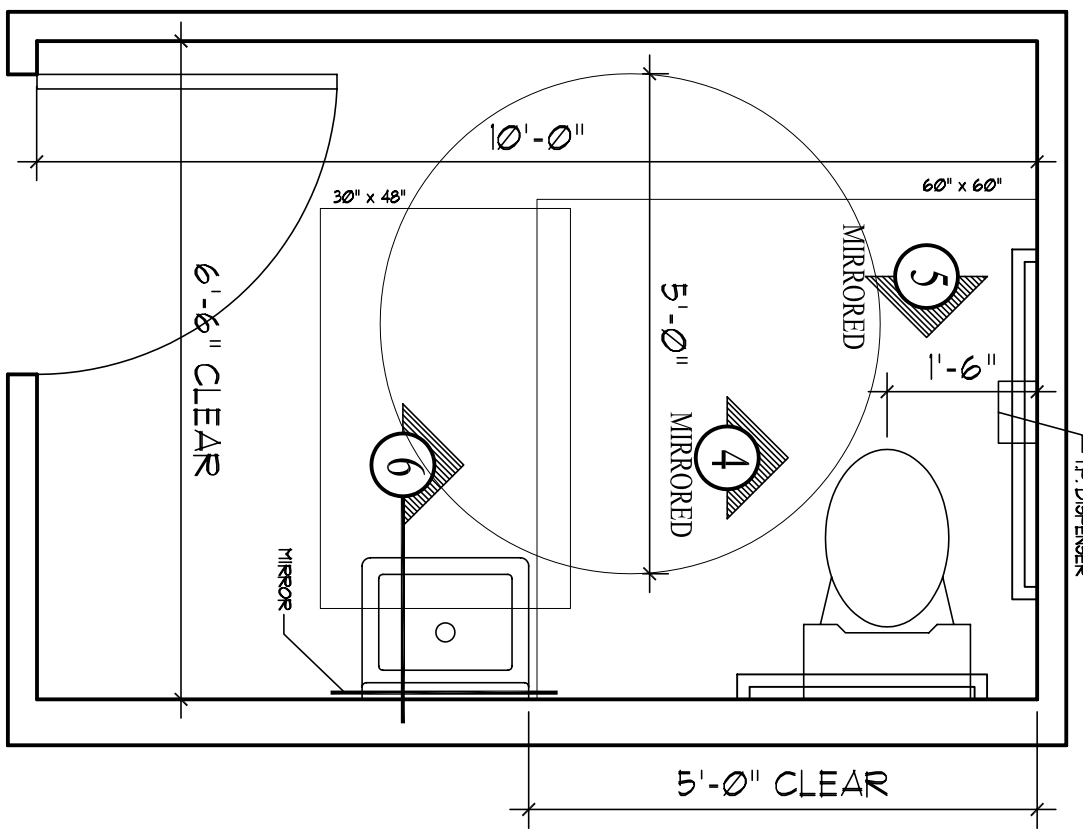


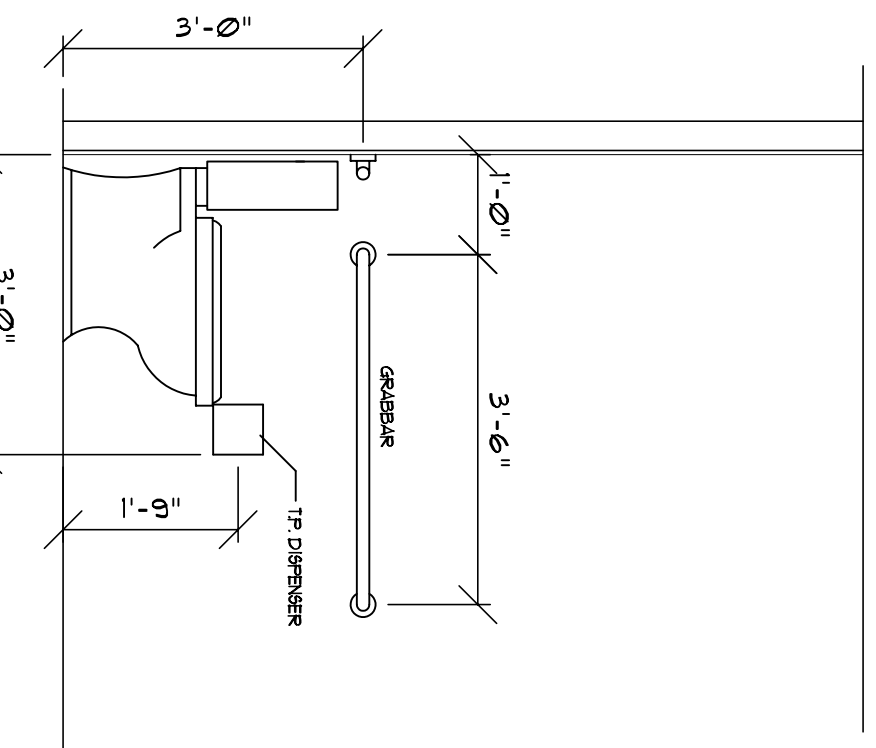
SECOND FLOOR PLAN



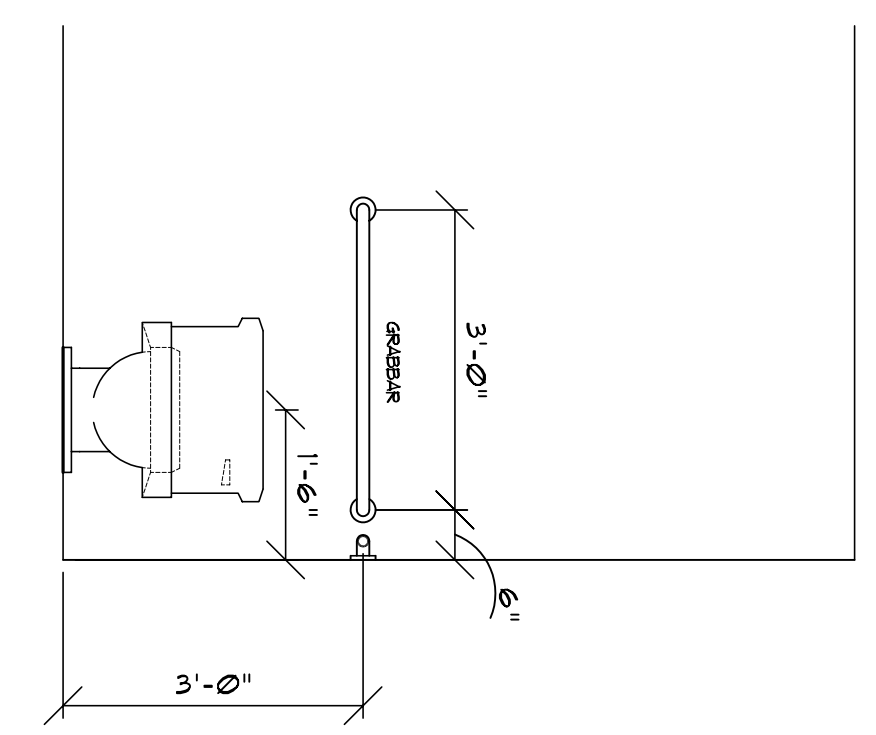
2 TYPICAL 1ST FLOOR BATHROOM KEY PLAN
SCALE: 1/2" = 1'-0"



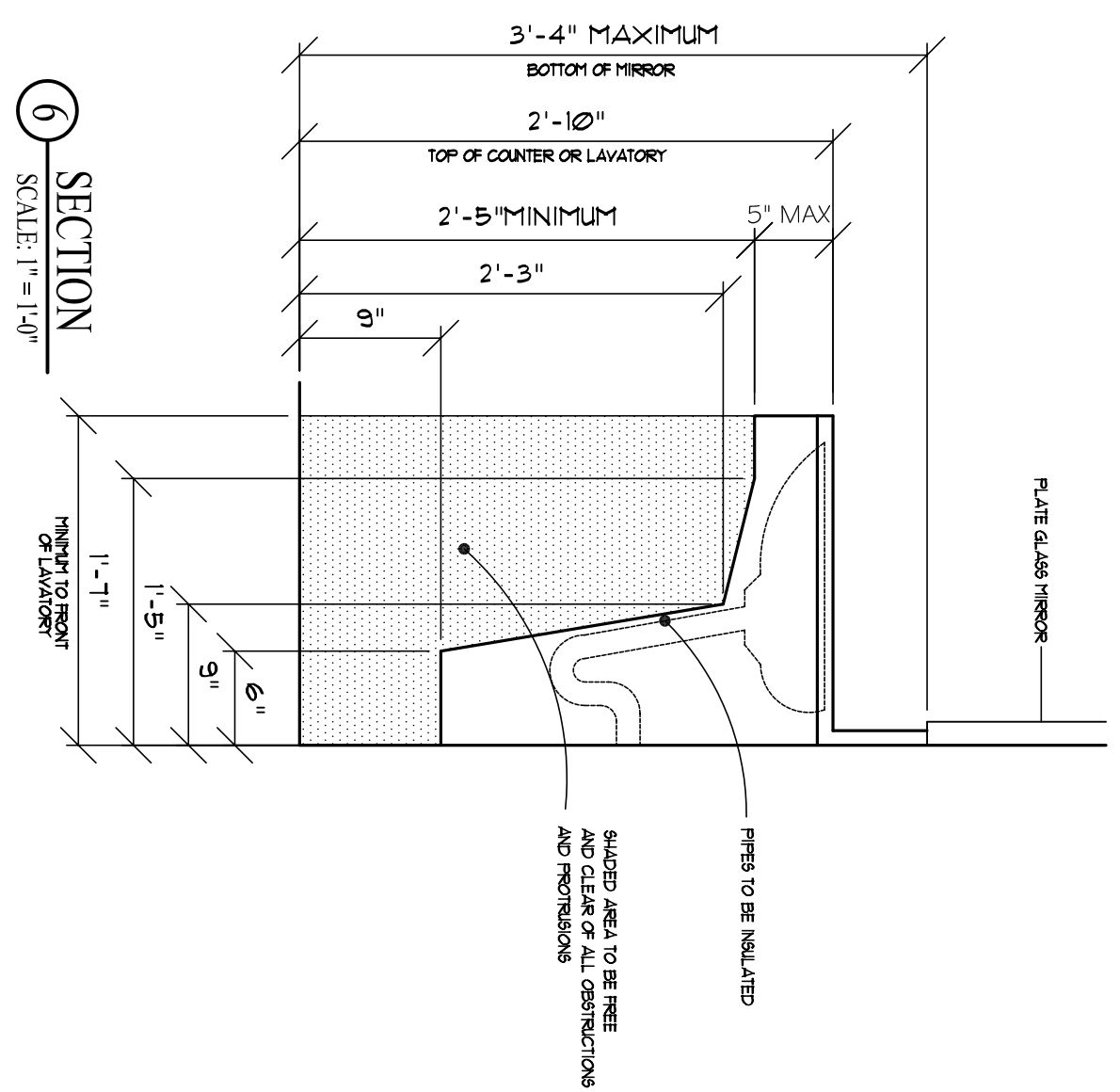
3 TYPICAL 2ND FLOOR BATHROOM KEY PLAN
SCALE: 1/2" = 1'-0"



4 ELEVATION
SCALE: 1/2" = 1'-0"



5 ELEVATION
SCALE: 1/2" = 1'-0"



6 SECTION
SCALE: 1" = 1'-0"

A-2	SECOND FLOOR PLAN TYPICAL ACCESSIBLE BATHROOMS	Date November 28, 2006 Revisions:	Scale 1/4" = 1'-0" 1/2" = 1'-0"	Project: BECKY'S DINER PORTLAND, MAINE	ARCHETYPE, P.A. ARCHITECTS 48 Union Wharf Portland, Maine 04101 (207) 772-6022 Fax (207) 772-4056	OWNER: