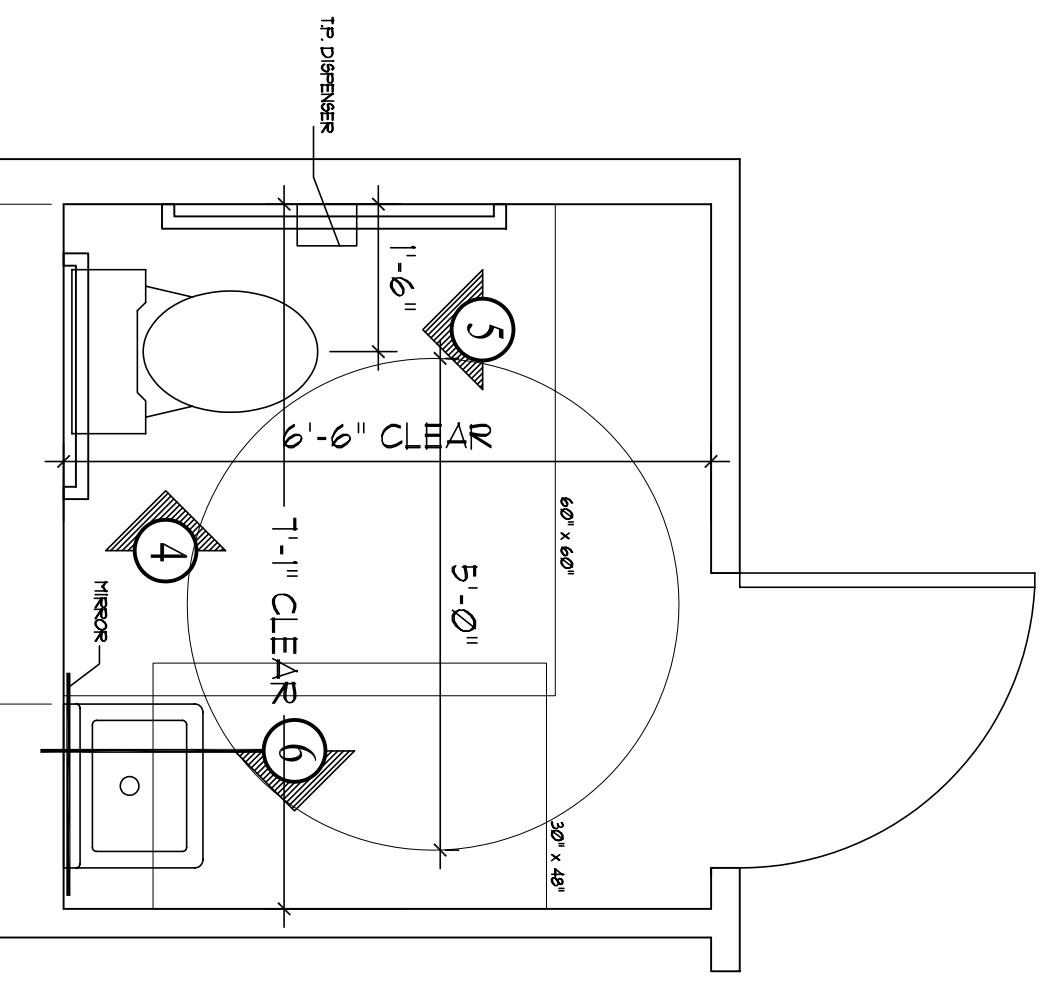
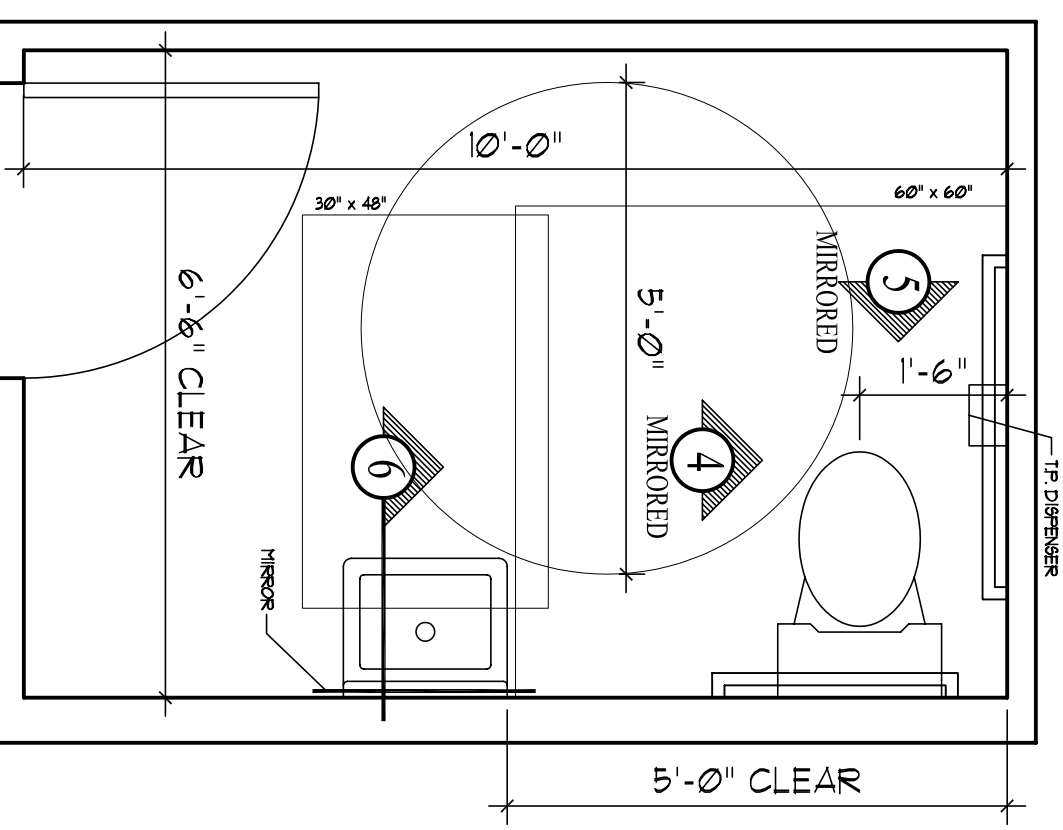


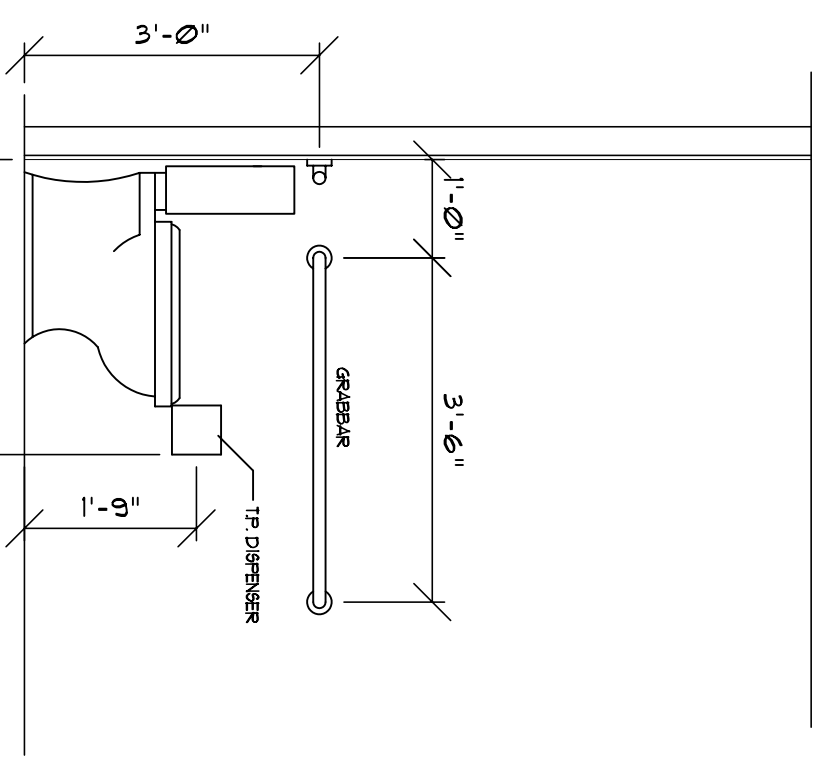
SECOND FLOOR PLAN



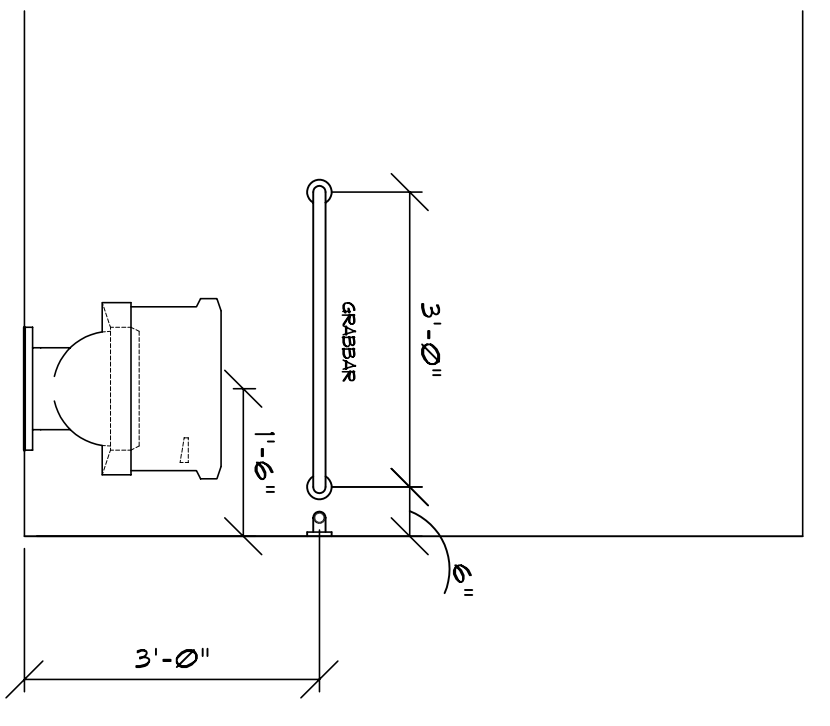
TYPICAL 1ST FLOOR BATHROOM KEY PLAN
SCALE: 1/2" = 1'-0"



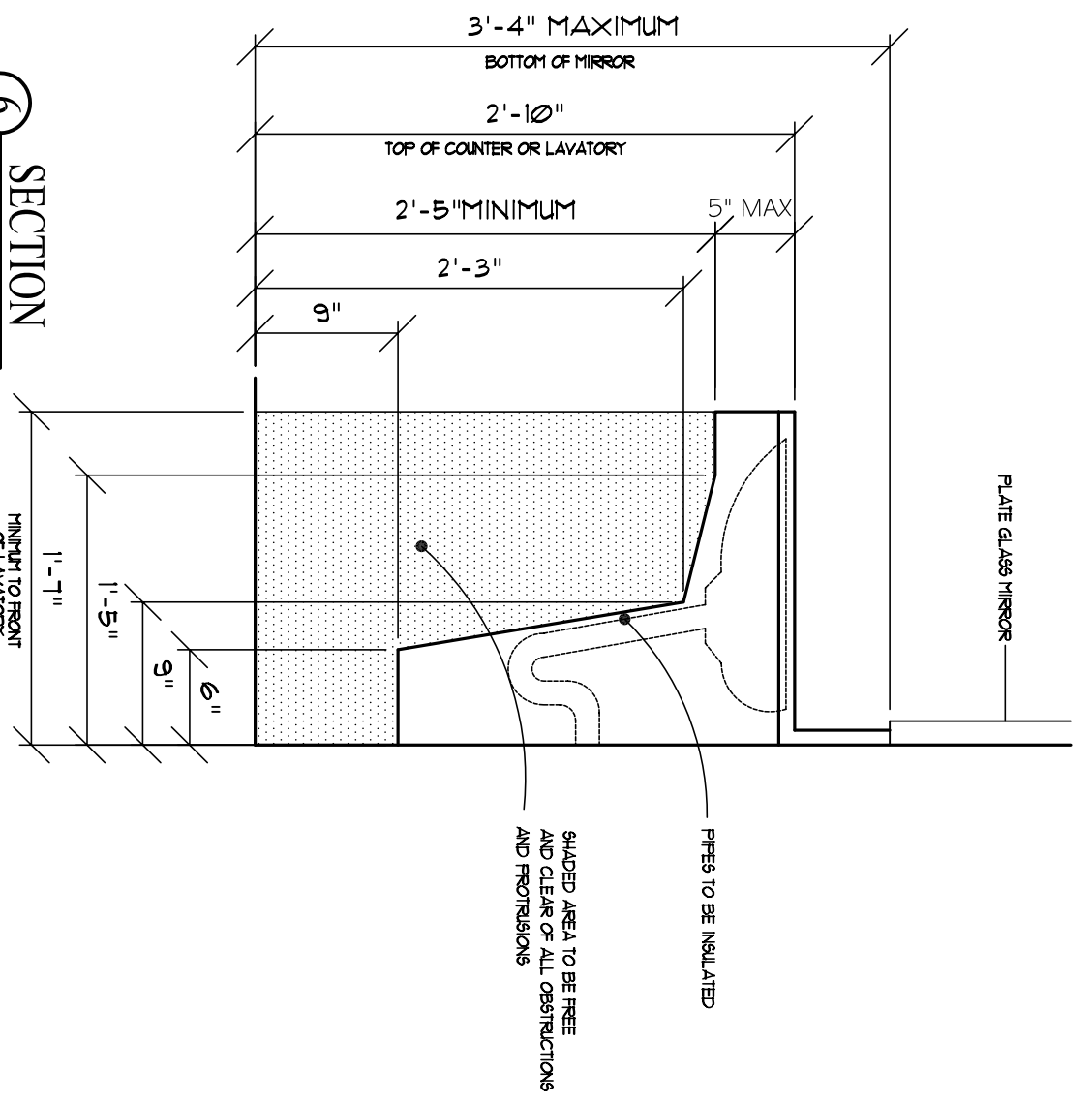
TYPICAL 2ND FLOOR BATHROOM KEY PLAN
SCALE: 1/2" = 1'-0"



ELEVATION 4
SCALE: 1/2" = 1'-0"



ELEVATION 5
SCALE: 1/2" = 1'-0"



SECTION 6
SCALE: 1" = 1'-0"

A-2	SECOND FLOOR PLAN	Date November 28, 2006	Scale 1/4" = 1'-0" 1/2" = 1'-0"	Project: BECKY'S DINER PORTLAND, MAINE	ARCHETYPE, P.A. ARCHITECTS 48 Union Wharf Portland, Maine 04101 (207) 772-6022 Fax (207) 772-4056	OWNER:
	TYPICAL ACCESSIBLE BATHROOMS	Revisions: Revised 3/19/07				