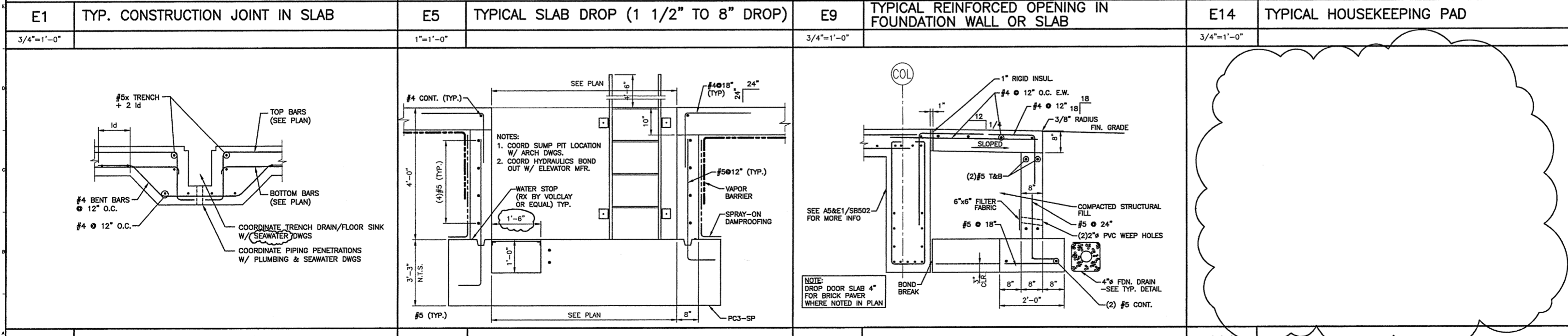
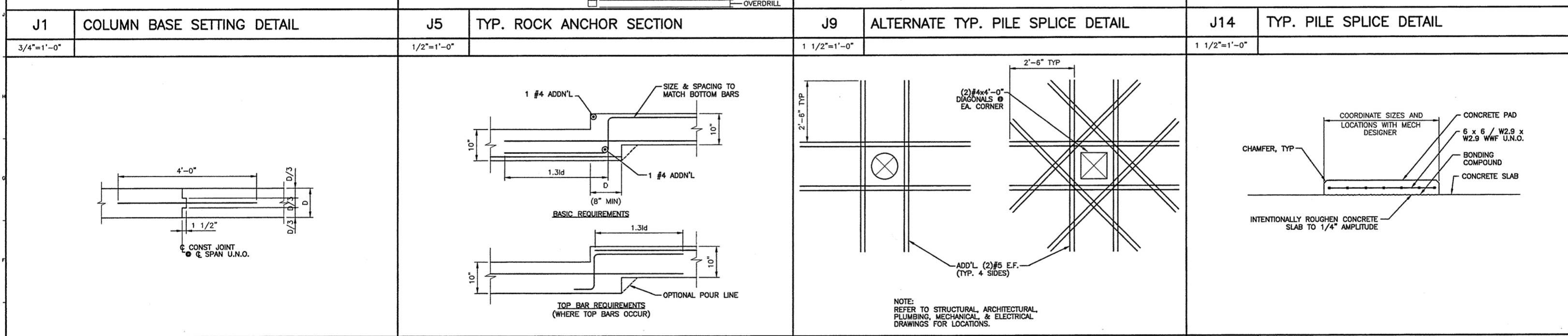
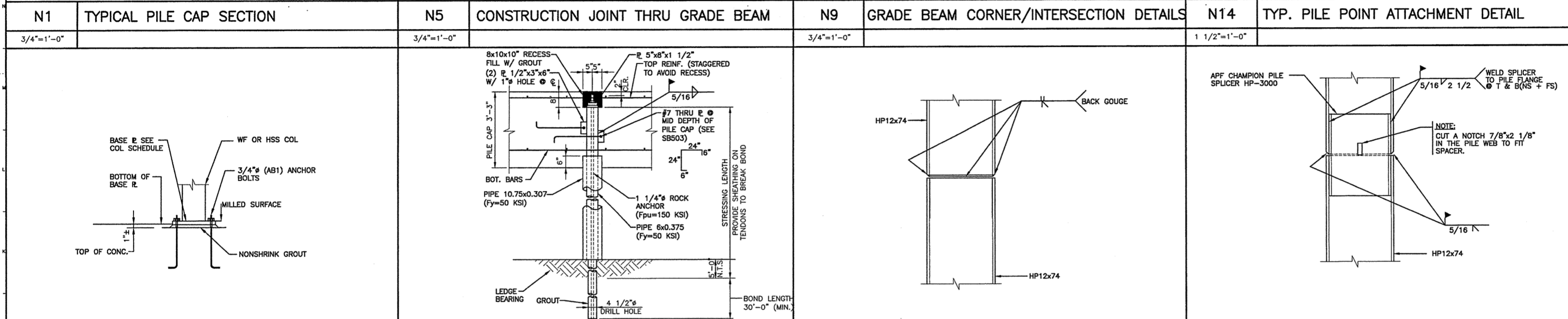


**GENERAL NOTES:**  
 1. SEE SG001 FOR STRUCTURAL GENERAL NOTES.



ISSUED FOR ADDENDUM 3  
 10-23-03

CURRENT ISSUE STATUS:

SMRT ARCHITECTURE ENGINEERING PLANNING  
 144 Fore Street P.O. Box 618  
 Portland, Maine 04104  
 tel. (207) 772-3846  
 fax. (207) 772-1070

THE GULF OF MAINE  
 RESEARCH INSTITUTE  
 PORTLAND, MAINE

TYPICAL FOUNDATION  
 SECTIONS AND DETAILS

SHEET TITLE:  
 SCALE: AS NOTED DATE: 8-26-03  
 PROJECT MANAGER: DRL GRAPHIC SCALE: 0"=1'  
 JOB CAP/DRAWN: SDL/TCM  
 A/E OF RECORD: ADB SHEET No.  
 SMRT CAD FILE: SB501-03034  
 PROJECT No. 03034

SB501