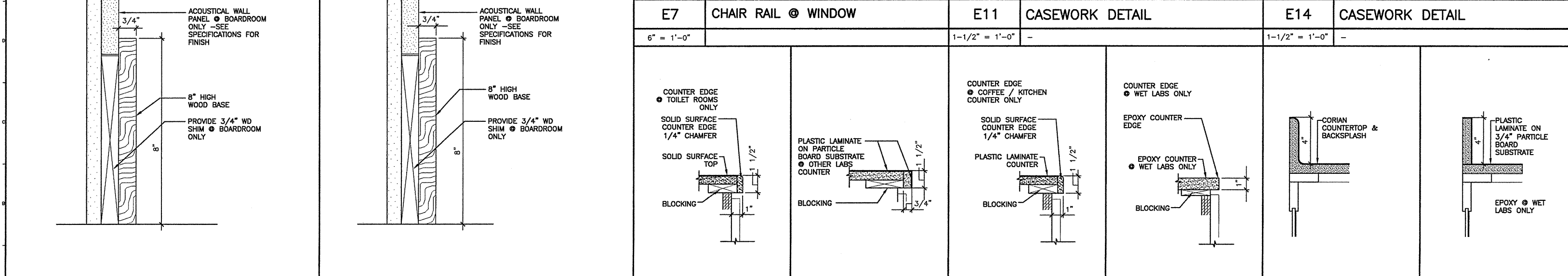
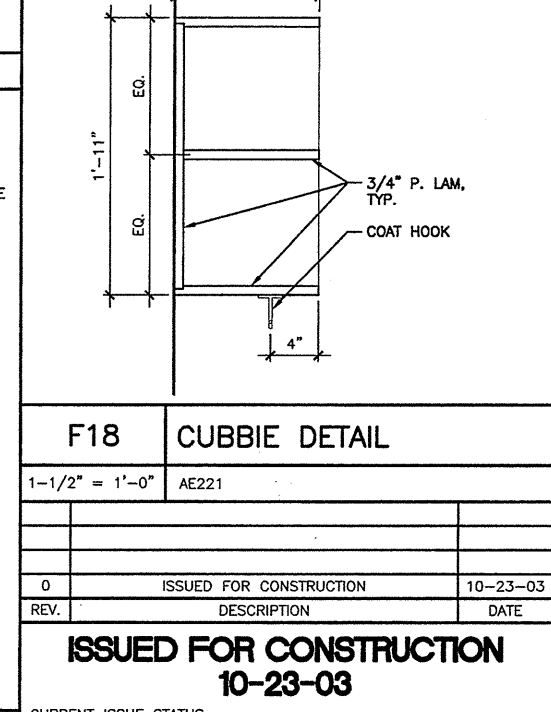
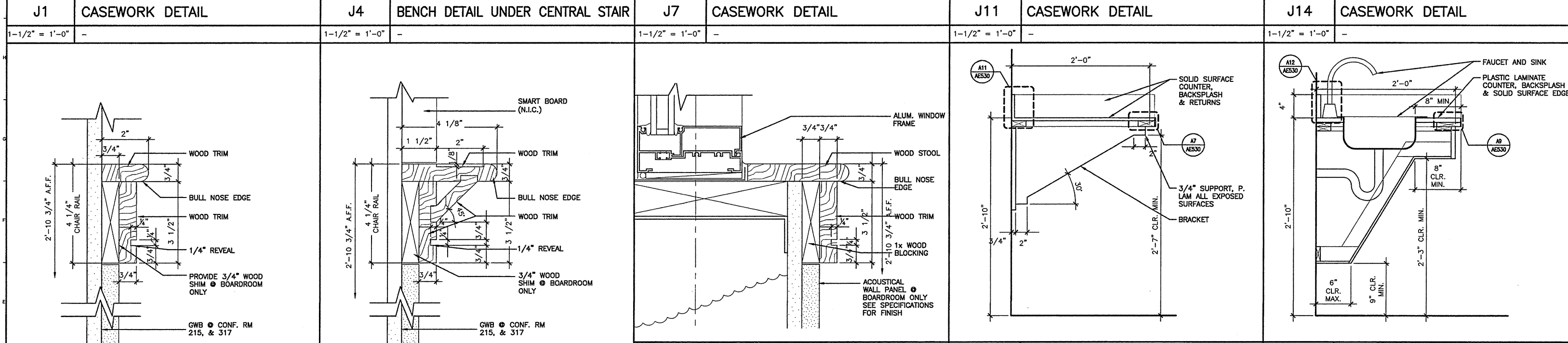
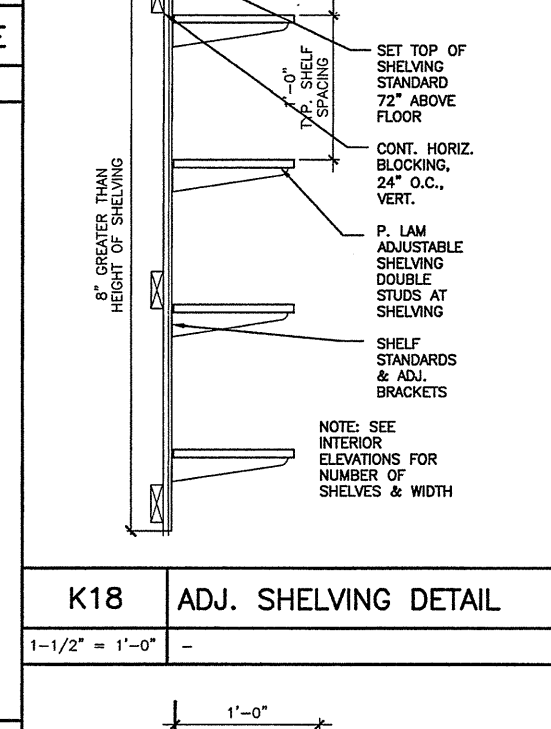
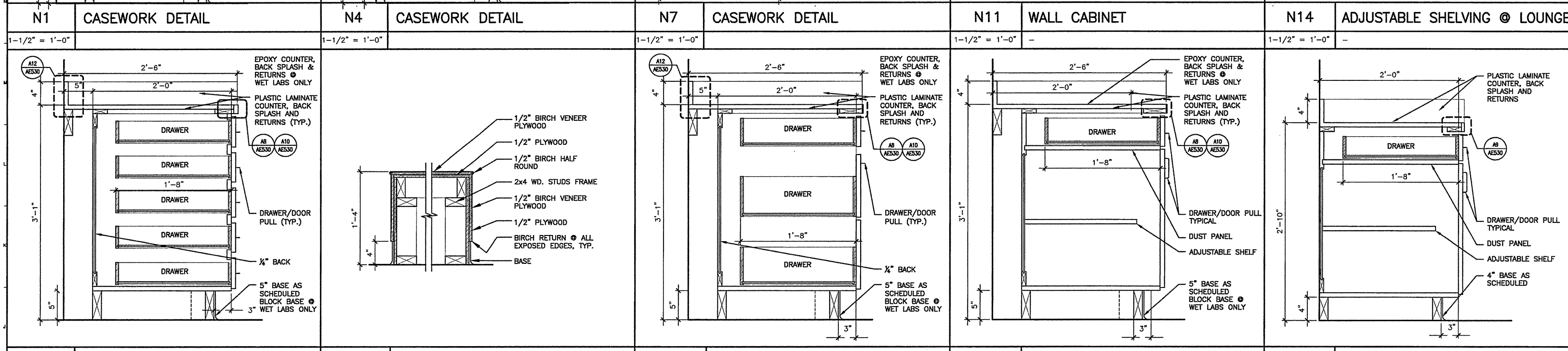


GENERAL NOTES:
 1. WET LABS INCLUDED THE FOLLOWING:
 ROOM # 230, 222, 130, 132, 127, 126



ISSUED FOR CONSTRUCTION
 10-23-03

REGISTERED ARCHITECT
 STATE OF MAINE

ARCHITECTURE ENGINEERING PLANNING
 SMRT
 144 Fore Street, P.O. Box 618
 Portland, Maine 04104
 tel. (207) 772-3846
 fax. (207) 772-1070

THE GULF OF MAINE RESEARCH INSTITUTE
 PORTLAND, MAINE

PROJECT: CASEWORK DETAILS

SHEET TITLE: AS NOTED DATE: 10-23-03
 SCALE: GRAPHIC SCALE: 0" = 1'
 PROJECT MANAGER: DRL
 JOB CAP/DRAWN: SDL
 A/E OF RECORD: PSS
 SMRT CAD FILE: AE530-03034
 PROJECT No. 03034

SHEET No. **AE530**

A1 CHAIR RAIL DETAIL 6" = 1'-0"
A4 CHAIR RAIL @ SMART BOARD WALL 6" = 1'-0"
A7 EDGE DETAIL 3" = 1'-0"
A8 EDGE DETAIL 3" = 1'-0"
A9 EDGE DETAIL 3" = 1'-0"
A10 EDGE DETAIL 3" = 1'-0"
A11 DETAIL 3" = 1'-0"
A12 DETAIL 3" = 1'-0"