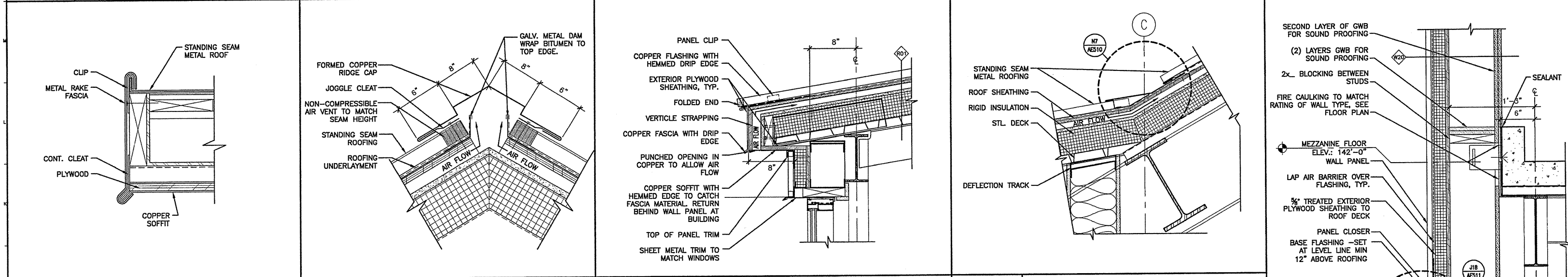
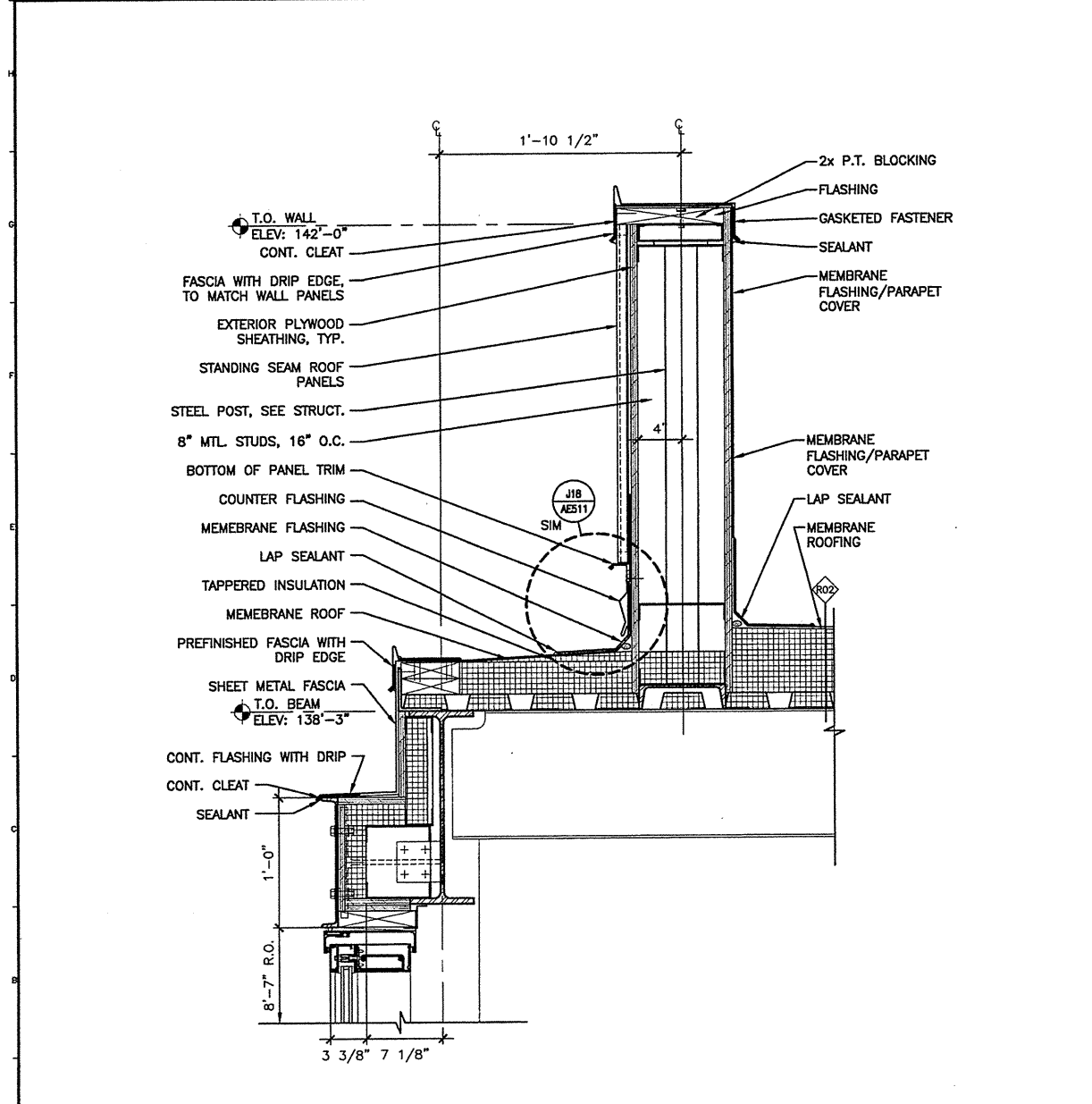


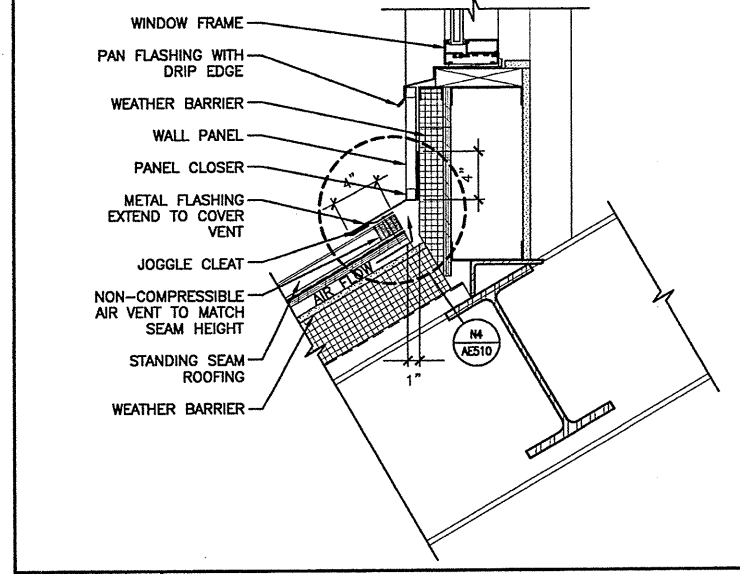
N1 FLASHING DETAIL 3" = 1'-0" AE510
N4 FLASHING DETAIL 3" = 1'-0" AE510
N7 FLASHING DETAIL 3" = 1'-0" AE510
N11 FLASHING DETAIL 3" = 1'-0" AE120
N14 ROOF DETAIL 1-1/2" = 1'-0" AE120, AE313



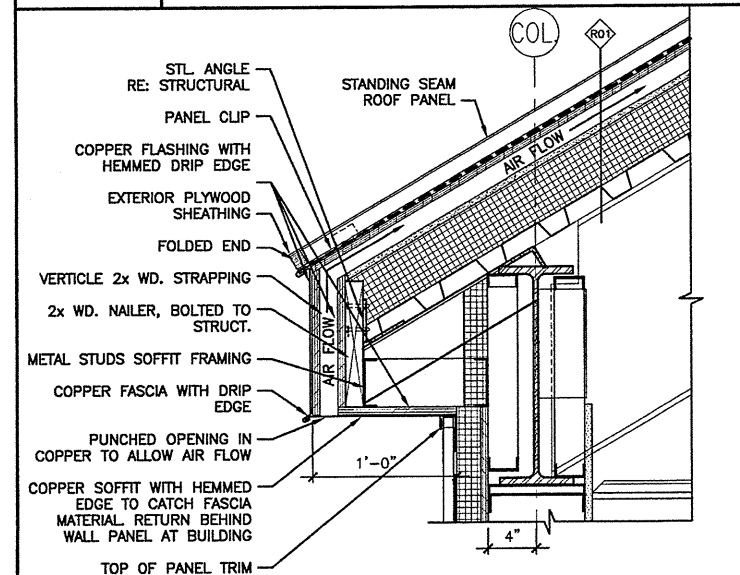
J1 FLASHING DETAIL 3" = 1'-0" AE510
J4 RIDGE DETAIL 1-1/2" = 1'-0" AE120
J7 ROOF DETAIL 1-1/2" = 1'-0" AE120, AE311
J11 ROOF DETAIL 1-1/2" = 1'-0" AE120, AE311



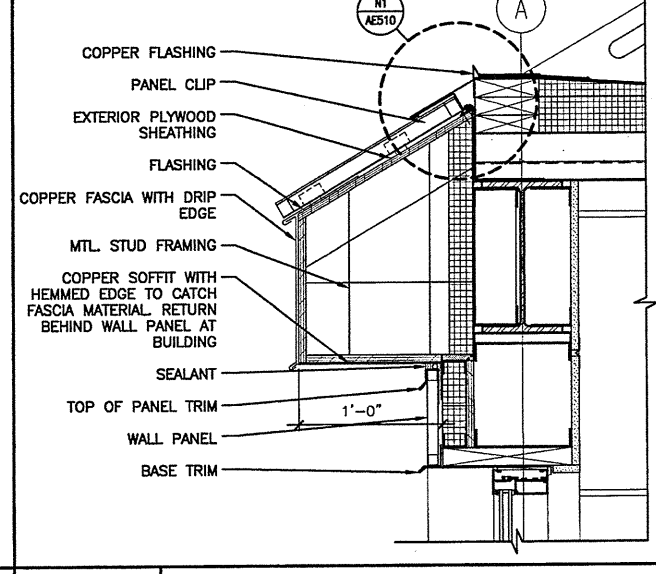
A1 ROOF DETAIL 1-1/2" = 1'-0" AE120, AE311, AE313



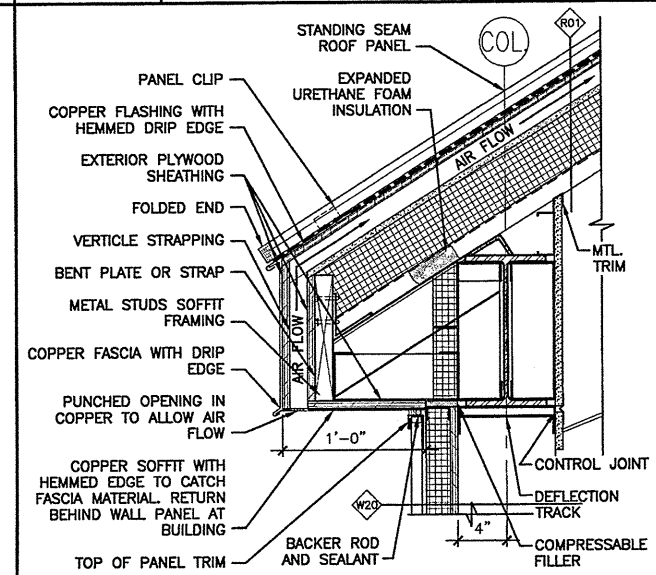
E7 ROOF DETAIL 1-1/2" = 1'-0" AE120, AE311



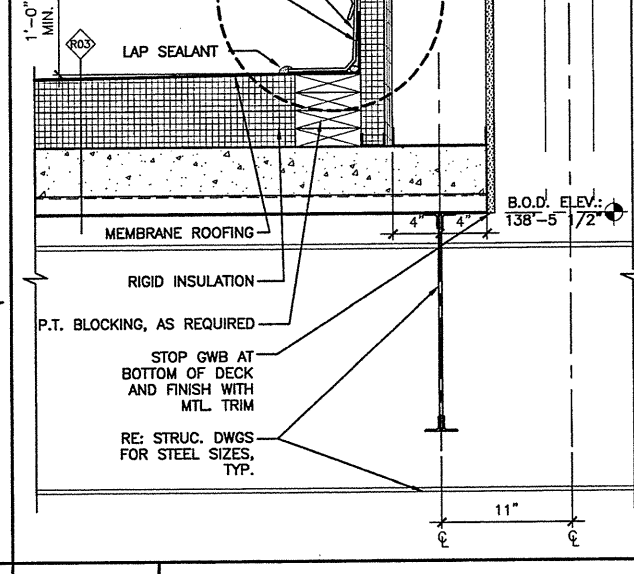
A7 ROOF DETAIL 1-1/2" = 1'-0" AE120, AE314, AE315



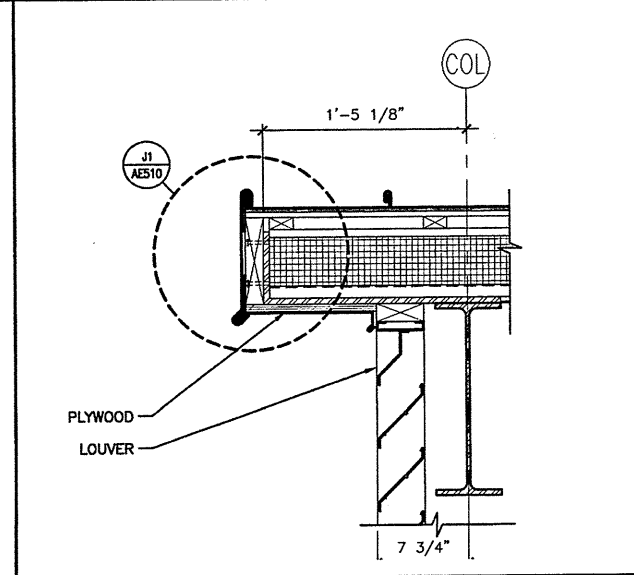
E11 ROOF DETAIL 1-1/2" = 1'-0" AE120, AE313



A11 ROOF DETAIL 1-1/2" = 1'-0" AE120, AE311, AE312, AE315

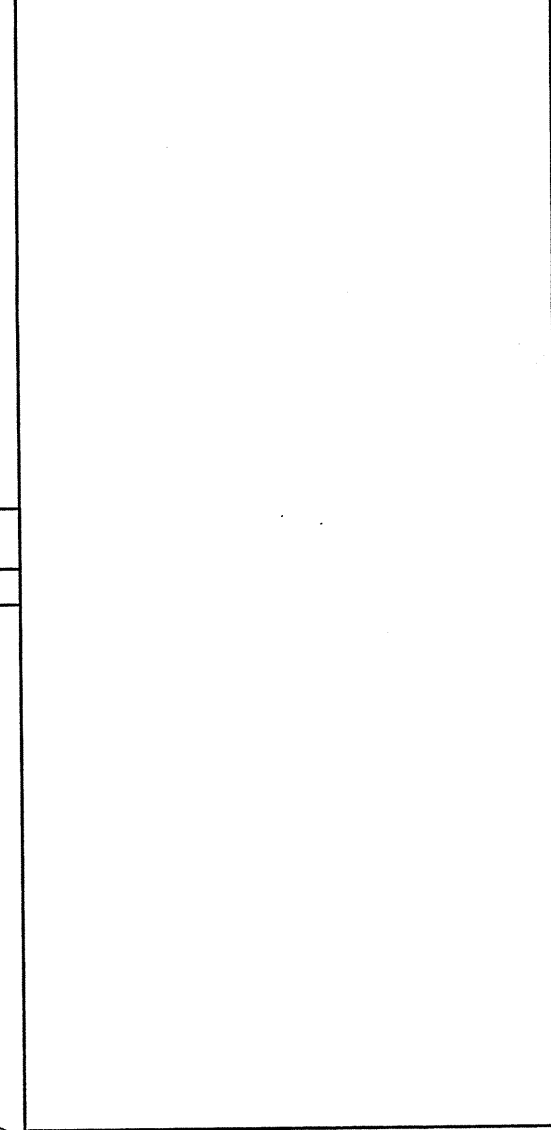


E14 ROOF DETAIL 1-1/2" = 1'-0" AE120, AE313



A14 ROOF DETAIL 1-1/2" = 1'-0" AE120, AE311, AE313, AE315

GENERAL NOTES:
 1. .



F18 DETAIL 1-1/2" = 1'-0" AE103

0	ISSUED FOR CONSTRUCTION	10-23-03
REV.	DESCRIPTION	DATE

ISSUED FOR CONSTRUCTION 10-23-03
 CURRENT ISSUE STATUS:

REGISTERED ARCHITECT
 STATE OF MAINE

SMRT ARCHITECTURE ENGINEERING PLANNING
 SMRT
 144 Fore Street/P.O. Box 618
 Portland, Maine 04104
 tel. (207) 772-3846
 fax. (207) 772-1070

THE GULF OF MAINE RESEARCH INSTITUTE
 PORTLAND, MAINE

PROJECT: **ROOF DETAILS**

SHEET TITLE: **AE510**

SCALE: AS NOTED DATE: 10-23-03
 PROJECT MANAGER: DRL GRAPHIC SCALE: 0" = 1'-0"
 JOB CAP/DRAWN: SDL
 A/E OF RECORD: PSS SHEET No.
 SMRT CAD FILE: AE510-03034
 PROJECT No. 03034