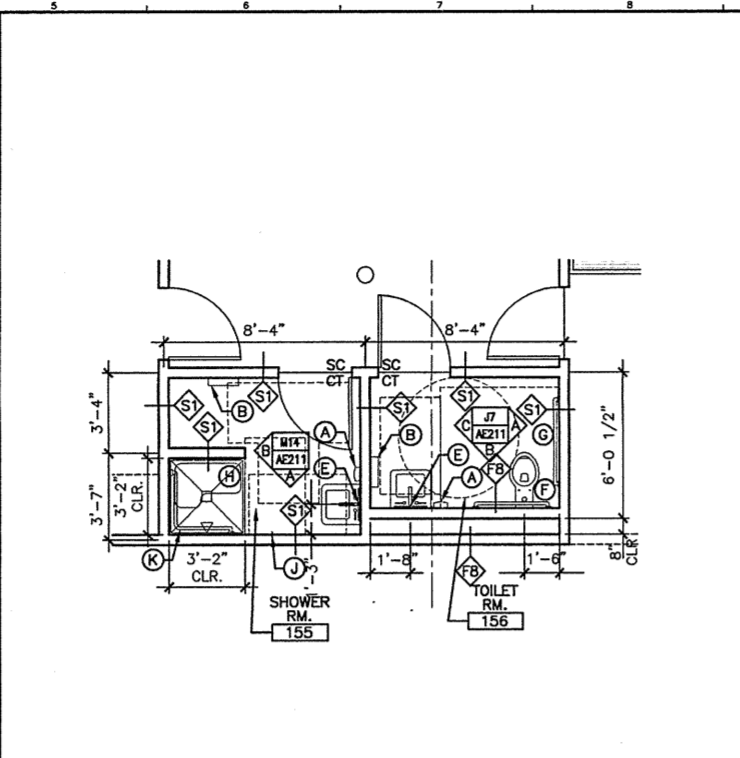
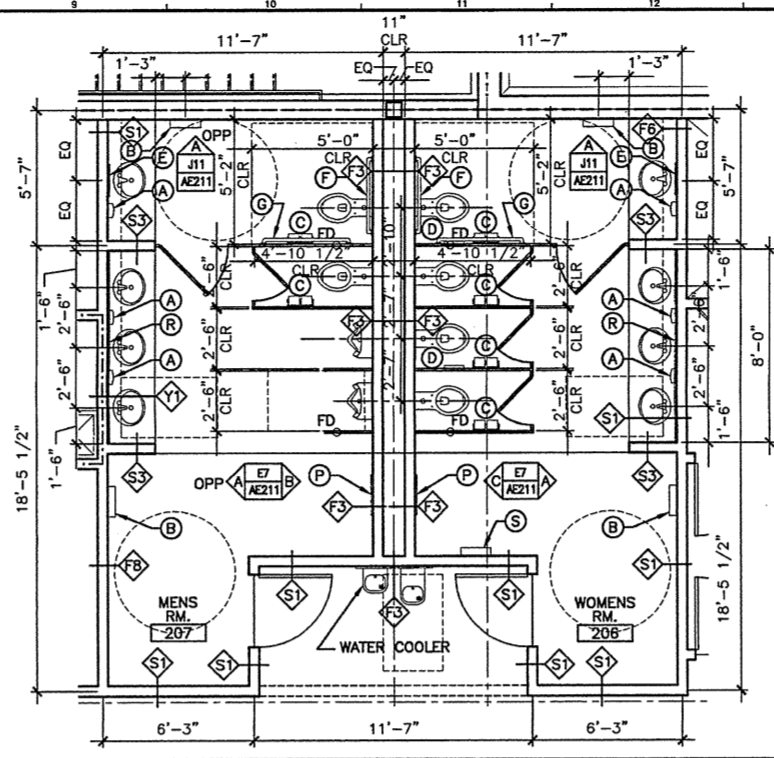


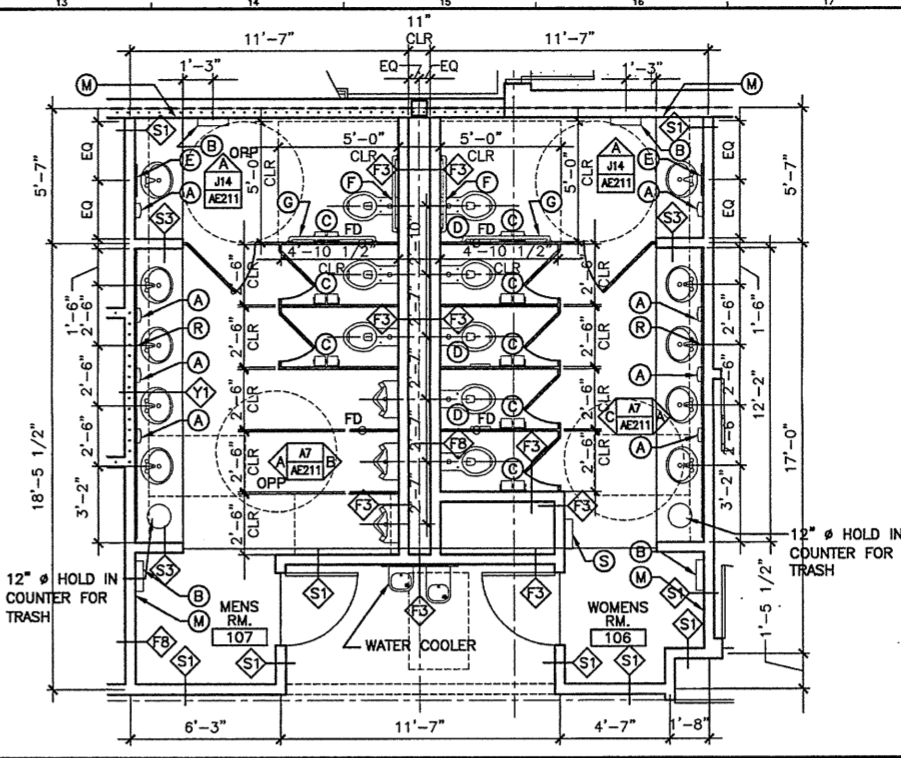
N1 ENLARGED PLAN
1/4" = 1'-0" AE101



N5 ENLARGED PLAN
1/4" = 1'-0" AE101



N9 ENLARGED PLAN
1/4" = 1'-0" AE102, AE103



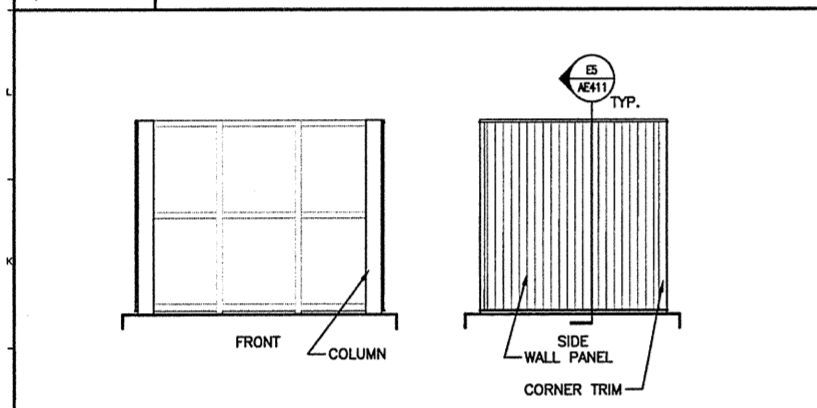
N14 ENLARGED PLAN
1/4" = 1'-0" AE101

- GENERAL NOTES:**
- SEE G1001 FOR GENERAL INFORMATION.
 - SEE G1002 FOR GENERAL MOUNTING HEIGHTS.
 - SEE G1003 FOR PARTITION TYPES.
 - SEE G1004 FOR TOP OF WALL DETAILS.
 - PROVIDE GEMENTIOUS BACKER BOARD W/ STUDS 12" O.C. AT ALL AREAS RECEIVING TILE.
 - REFERENCE EXTERIOR ELEVATION FOR EXTERIOR WINDOW TAG INFORMATION.
 - MAINTAIN FIRE RATING OF RATED PARTITIONS AT RECESSED ACCESSORIES BY PROVIDING FULLY GYP. FINISHED RECESS BEHIND CABINETS.

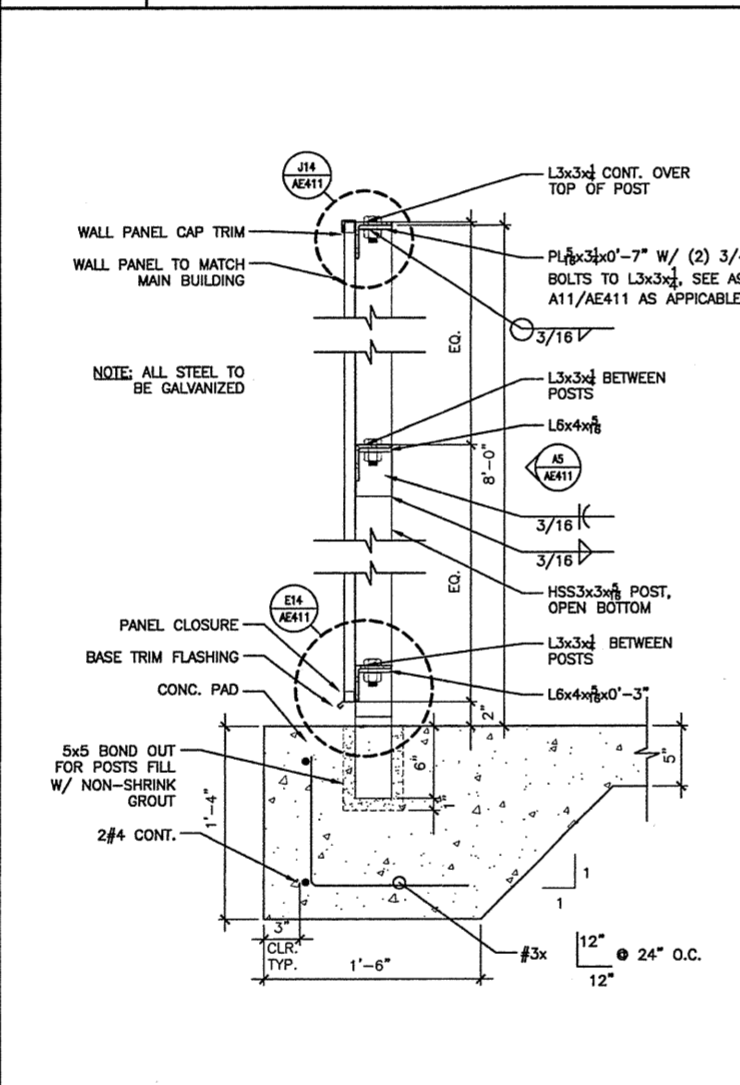
TOILET ACCESSORY SCHEDULE

TAG	DESCRIPTION	PROVIDE
(A)	SOAP DISPENSER	O/O
(B)	PAPER TOWEL DISPENSER/ RECEPTACLE	C/C
(C)	TOILET PAPER DISPENSER	O/O
(D)	SANITARY NAPKIN DISPOSAL	C/C
(E)	MIRROR 18" x 24"	C/C
(F)	36" GRAB BAR	C/C
(G)	42" GRAB BAR	C/C
(H)	SHOWER ROD AND CURTAIN (SEE PLUMB.)	C/C
(J)	TOWEL/COAT HOOK	C/C
(K)	SHOWER GRAB BAR (SEE PLUMB.)	C/C
(L)	BROOM/MOP HOLDER (SEE PLUMB.)	C/C
(M)	ELEC. HAND DRYERS (FUTURE)	-
(N)	DIAPER CHANGING STATION	-
(P)	MIRROR 20" x 60"	C/C
(R)	MIRROR RE: DIVISION B	C/C
(S)	SANITARY NAPKIN DISPENSOR	C/C

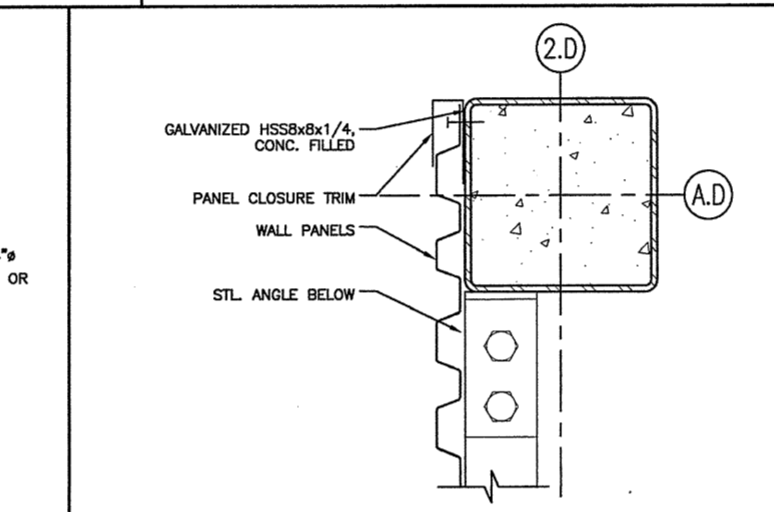
C/C - CONTRACTOR FURNISHED/CONTRACTOR INSTALLED
O/O - OWNER FURNISHED/CONTRACTOR INSTALLED
O/O - OWNER FURNISHED/OWNER INSTALLED
(CONTRACTOR SHALL PROVIDE BLOCKING IN WALL)



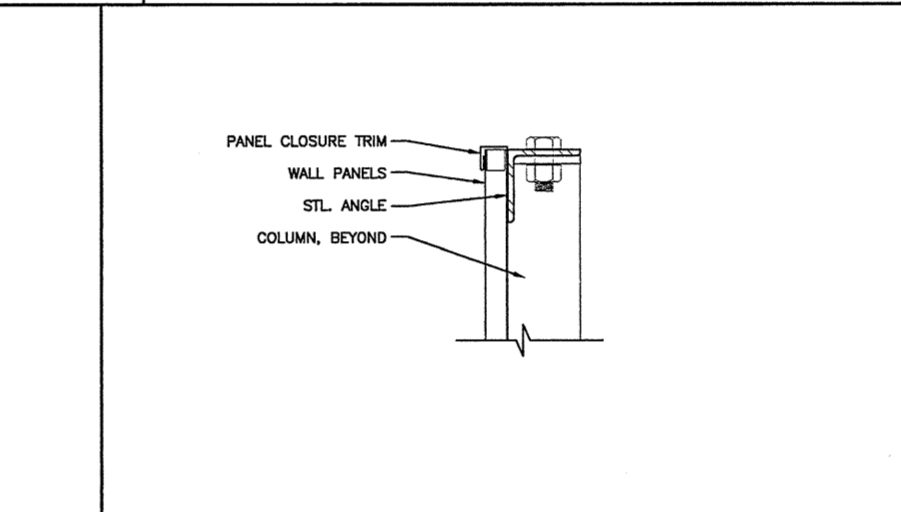
J1 EXT. ELEVATIONS-DUMPSTER ENCLOSURE
1/4" = 1'-0"



E5 WALL SECTION
1-1/2" = 1'-0"



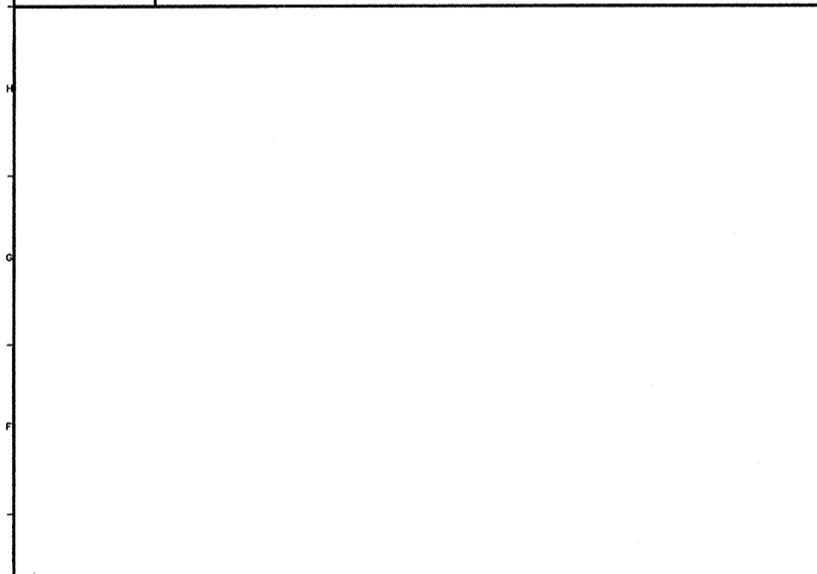
J9 PLAN DETAIL
3" = 1'-0"



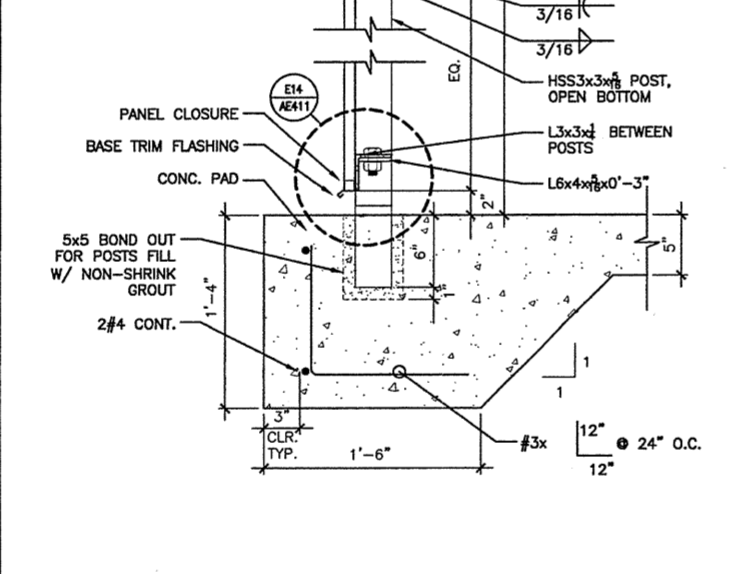
J14 DETAIL
3" = 1'-0"

WALL LEGEND

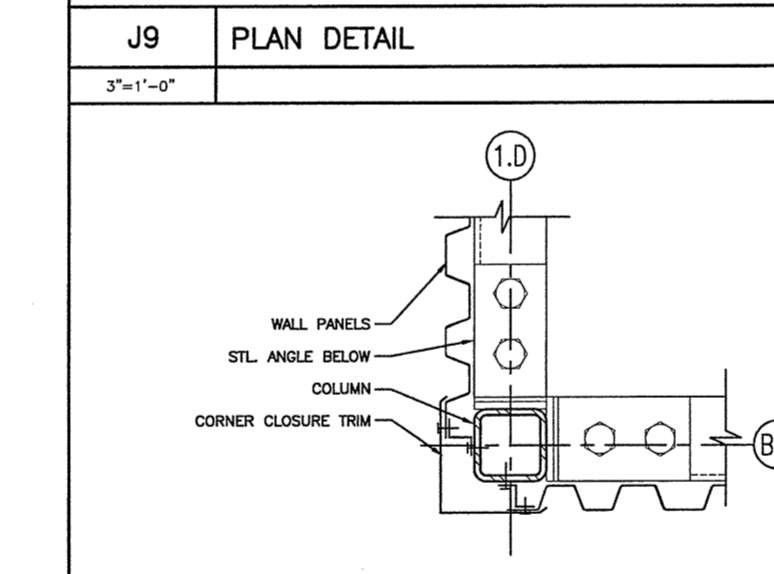
- SMOKE PARTITION (CONSTRUCT AS 1 HOUR)
- 1 HOUR FIRE/SMOKE PARTITION/ WALL
- 2 HOUR FIRE/SMOKE PARTITION/ WALL
- 3 HOUR FIRE/SMOKE PARTITION/ WALL
- STRUCTURAL BRACING



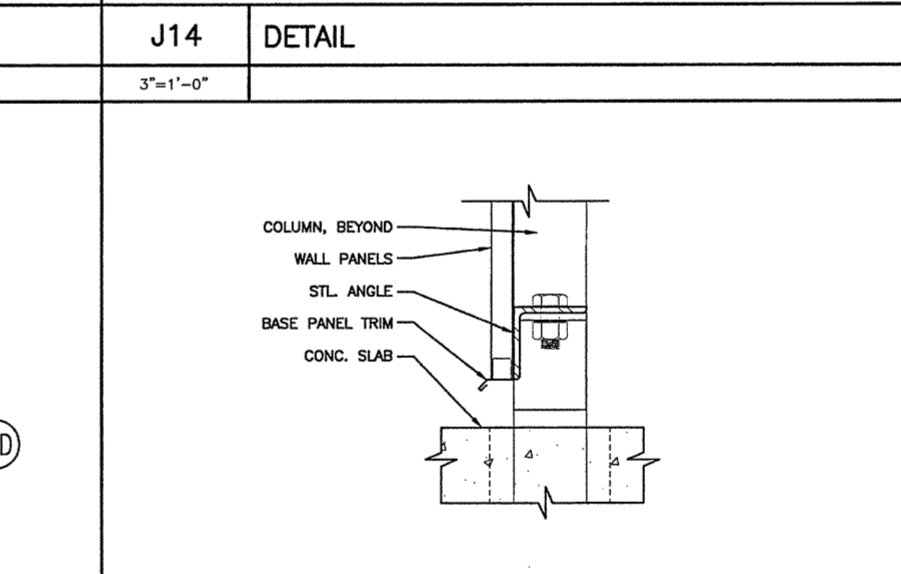
E1 -



E9 PLAN DETAIL
3" = 1'-0"



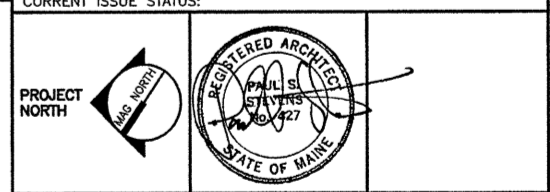
A11 PL DETAIL
3" = 1'-0"



E14 DETAIL
3" = 1'-0"

REV.	DESCRIPTION	DATE
0	ISSUED FOR CONSTRUCTION	10-23-03

ISSUED FOR CONSTRUCTION 10-23-03



SMRT ARCHITECTURE ENGINEERING PLANNING
144 Fore Street P.O. Box 618
Portland, Maine 04104
tel. (207) 772-3846
fax. (207) 772-1070

THE GULF OF MAINE RESEARCH INSTITUTE
PORTLAND, MAINE

LARGE SCALE PLANS

SHEET TITLE: SMRT
SCALE: 1/8" = 1'-0" DATE: 10-23-03
PROJECT MANAGER: DRL GRAPHIC SCALE: 0" = 1'
JOB CAP/DRAWN: SDL
A/E OF RECORD: PSS SHEET No.
SMRT CAD FILE: AE411-03034
PROJECT No. 03034

AE411