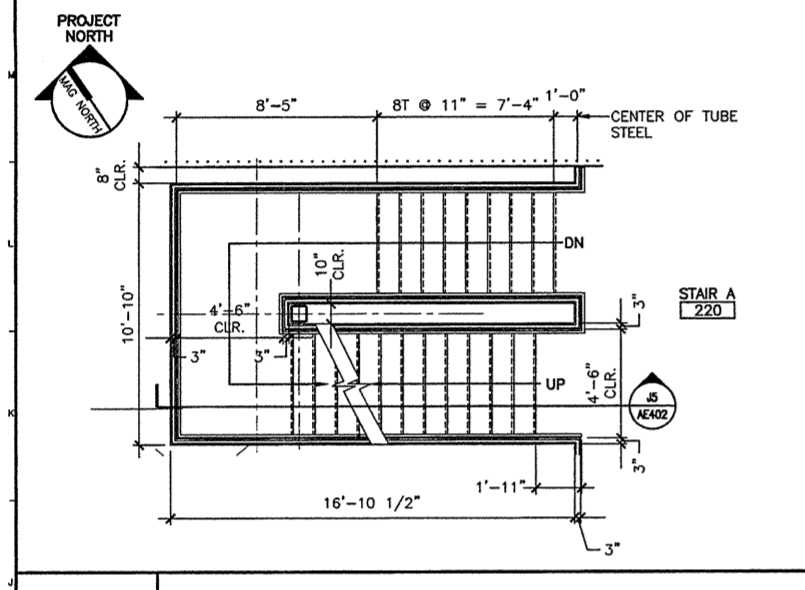
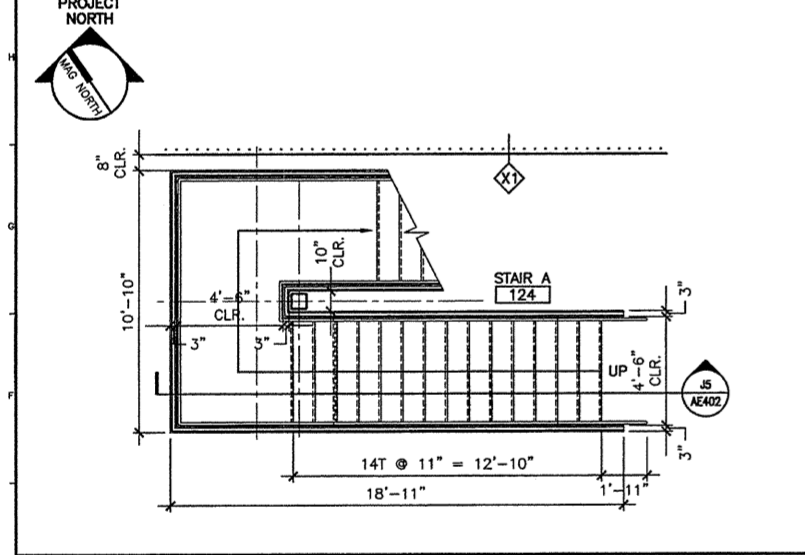


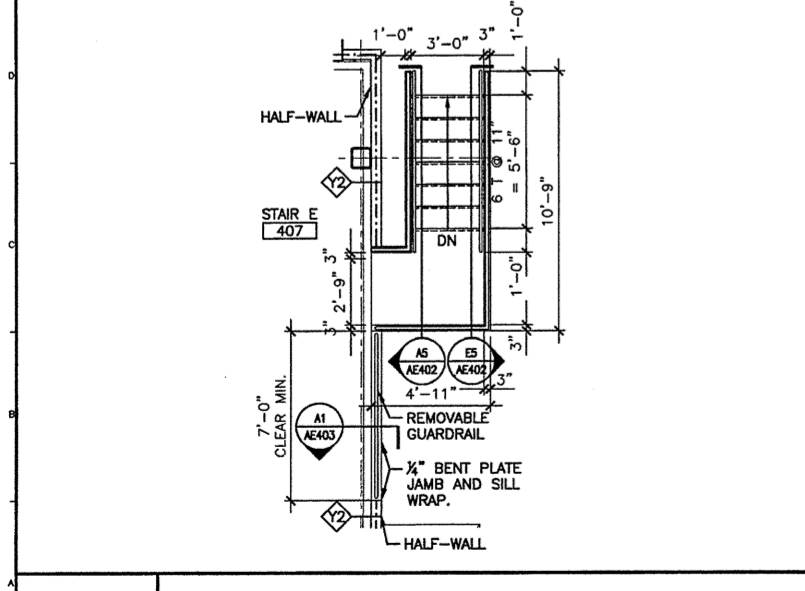
N1 STAIR A THIRD FLOOR
1/4" = 1'-0" AE103



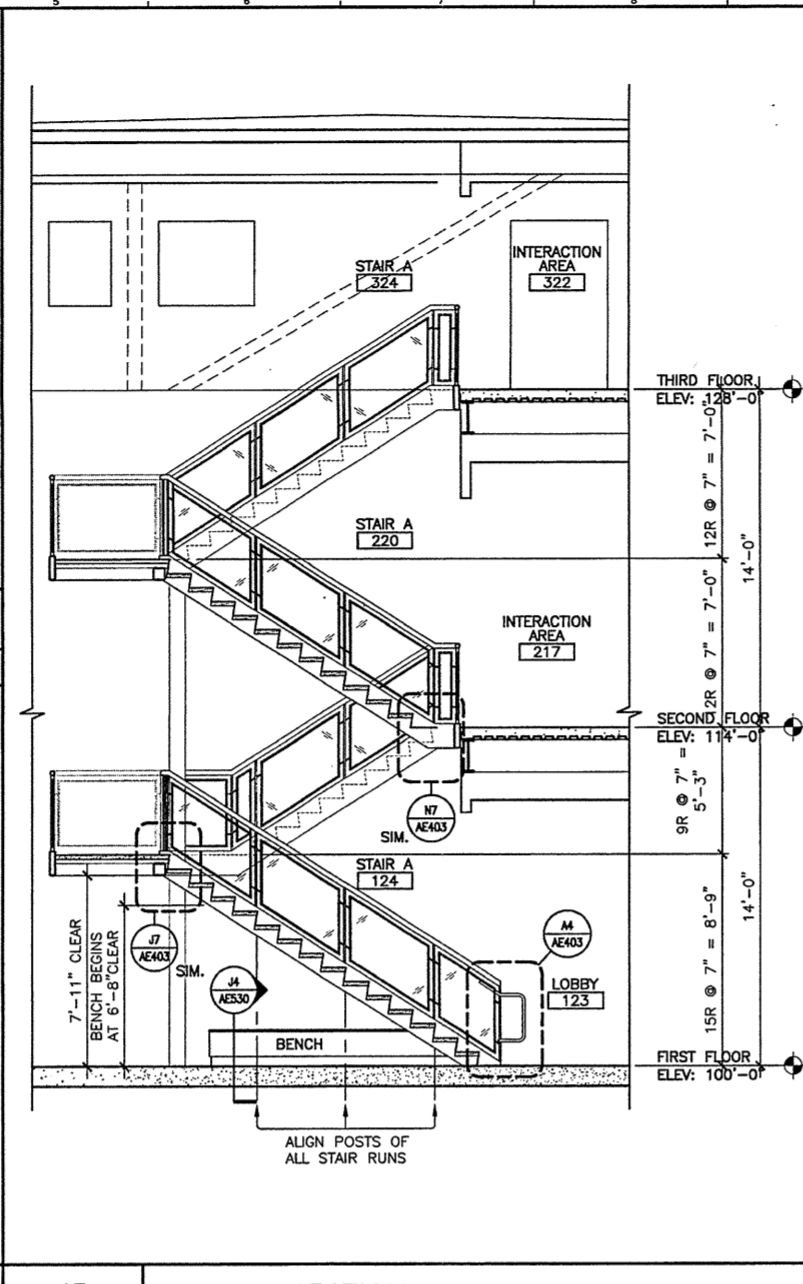
J1 STAIR A SECOND FLOOR
1/4" = 1'-0" AE102



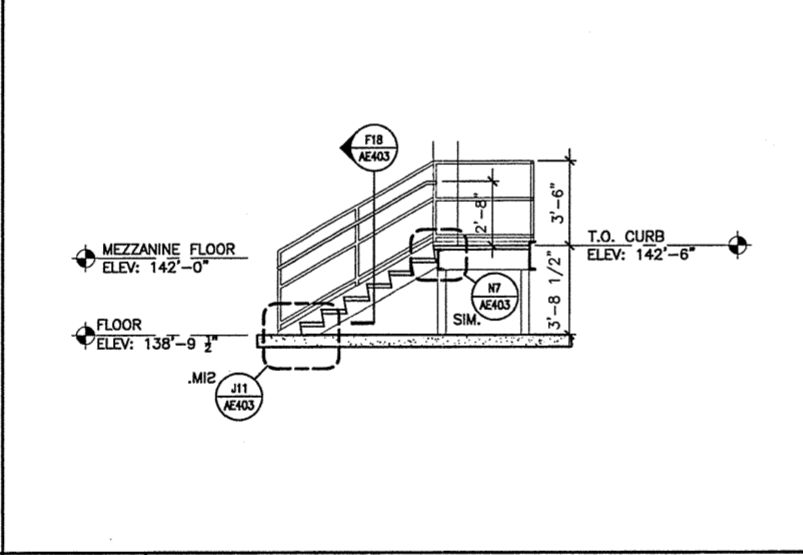
E1 STAIR A - FIRST FLOOR
1/4" = 1'-0" AE101



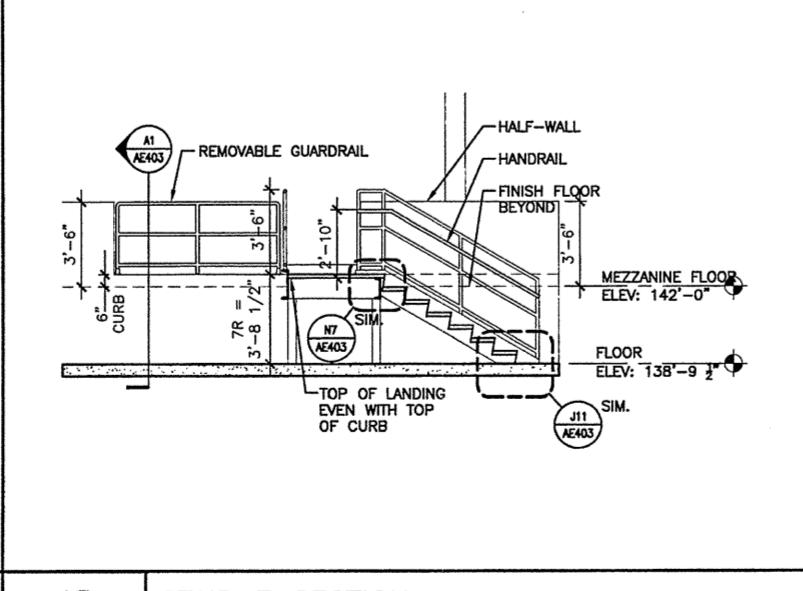
A1 STAIR E - MEZZANINE FLOOR
1/4" = 1'-0" AE104



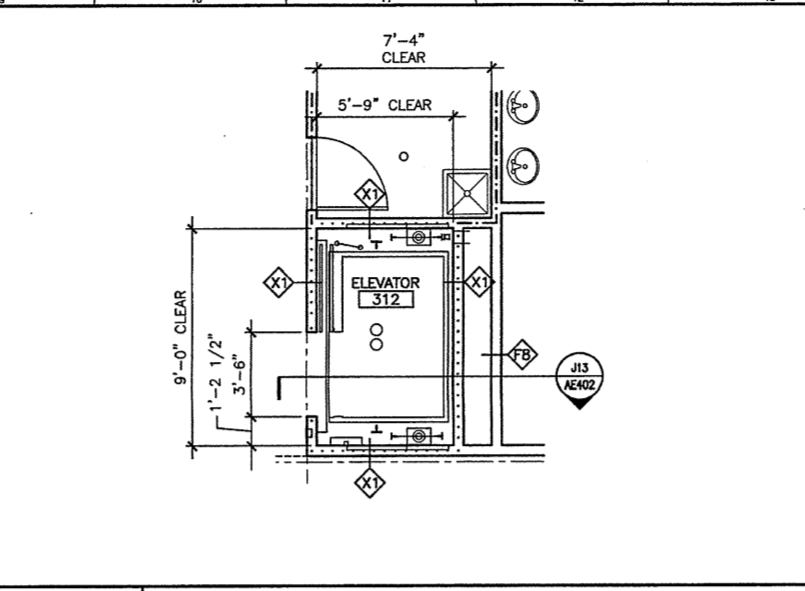
J5 STAIR A SECTION
1/4" = 1'-0" AE402



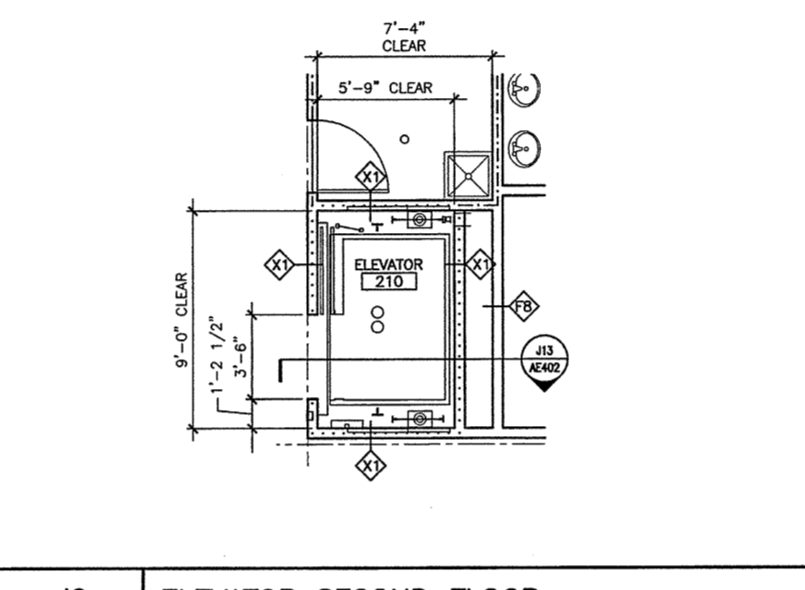
E5 STAIR E SECTION
1/4" = 1'-0" AE402



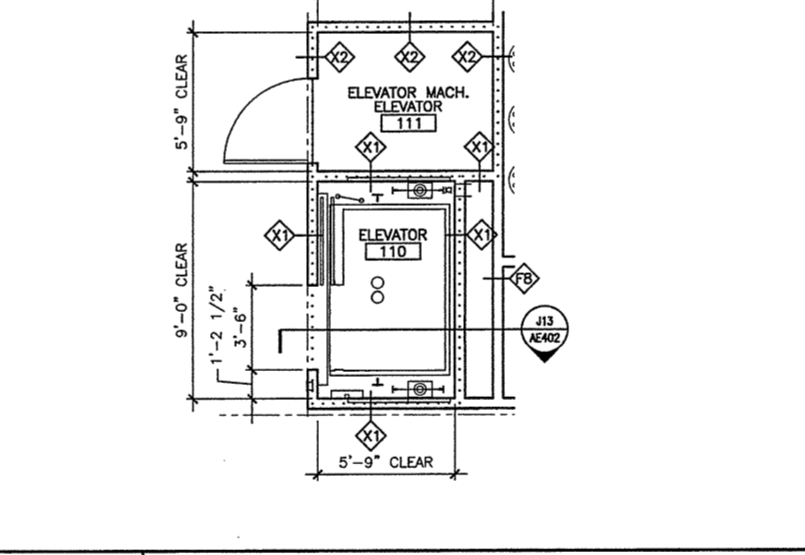
A5 STAIR E SECTION
1/4" = 1'-0" AE402



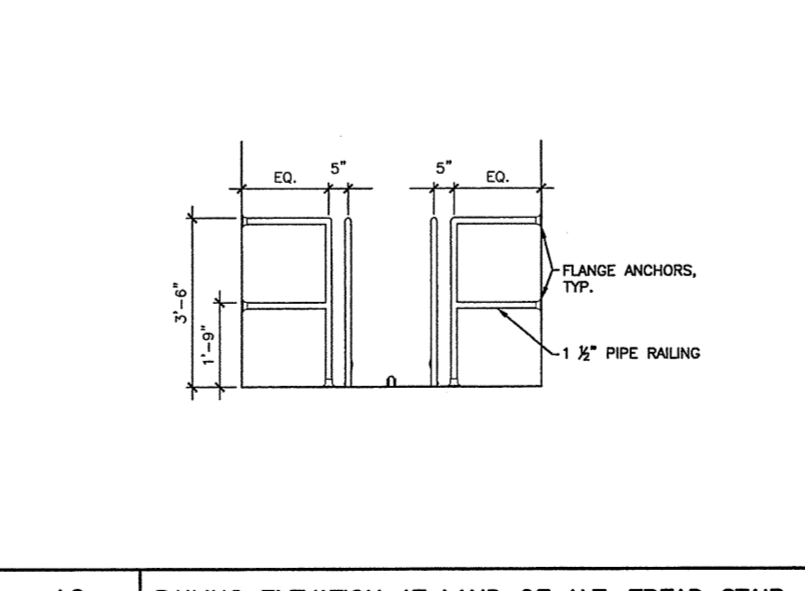
N9 ELEVATOR THIRD FLOOR
1/4" = 1'-0" AE103



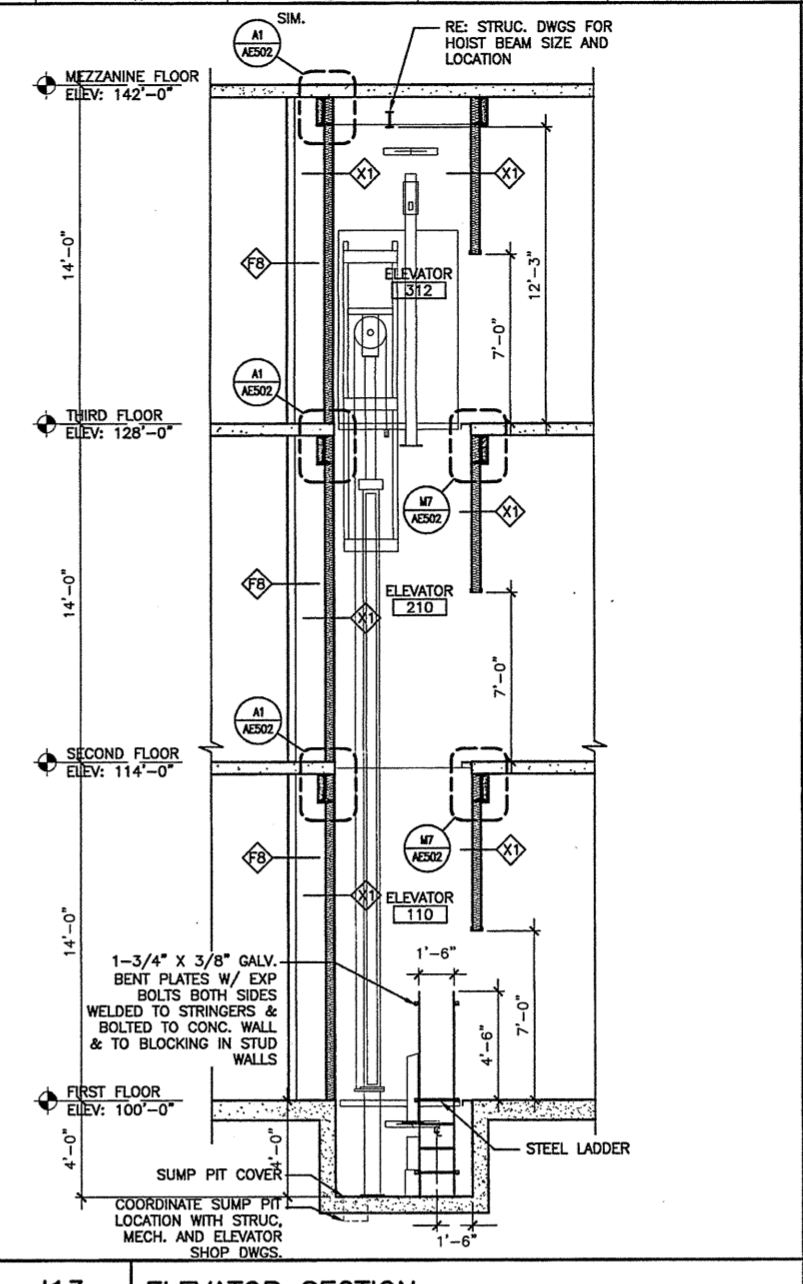
J9 ELEVATOR SECOND FLOOR
1/4" = 1'-0" AE102



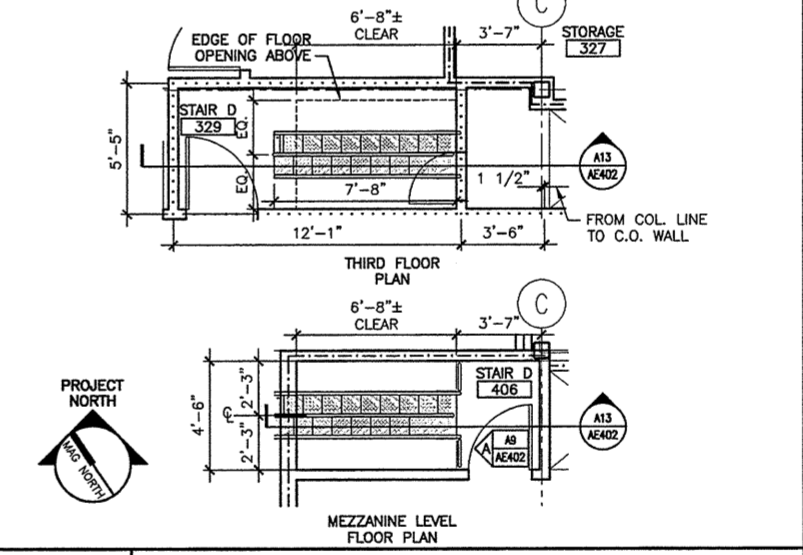
E9 ELEVATOR - FIRST FLOOR
1/4" = 1'-0" AE101



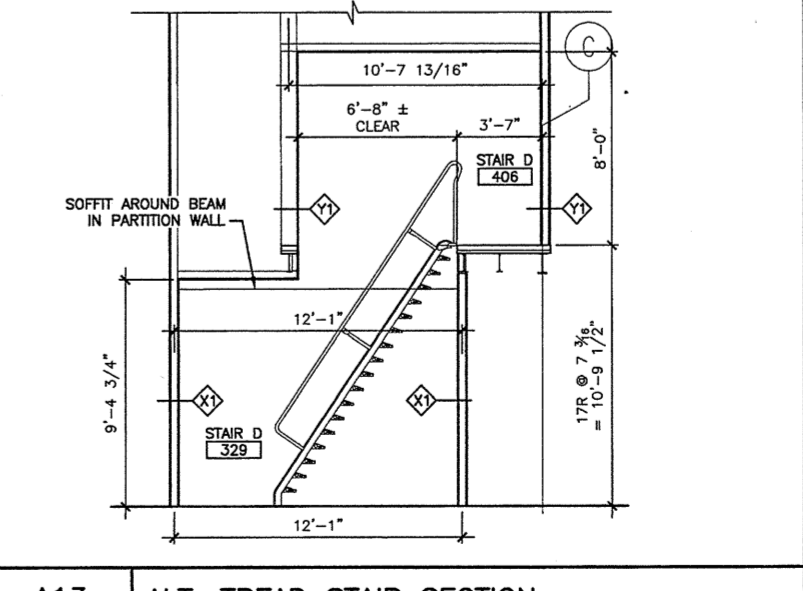
A9 RAILING ELEVATION AT LAND OF ALT. TREAD STAIR
1/2" = 1'-0" AE402



J13 ELEVATOR SECTION
1/4" = 1'-0" AE402



E13 ALT. TREAD STAIR PLAN
1/4" = 1'-0" AE103, AE104



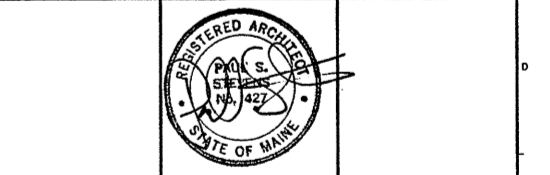
A13 ALT. TREAD STAIR SECTION
1/4" = 1'-0" AE402

GENERAL NOTES:

REV.	DESCRIPTION	DATE
0	ISSUED FOR CONSTRUCTION	10-23-03

ISSUED FOR CONSTRUCTION 10-23-03

CURRENT ISSUE STATUS:



SMRT ARCHITECTURE ENGINEERING PLANNING
144 Fore Street P.O. Box 618
Portland, Maine 04104
tel. (207) 772-3846
fax. (207) 772-1070

THE GULF OF MAINE RESEARCH INSTITUTE
PORTLAND, MAINE

LARGE SCALE STAIR AND ELEVATOR PLANS AND SECTIONS

SHEET TITLE: SCALE: 1/8" = 1'-0" DATE: 10-23-03
PROJECT MANAGER: DRL GRAPHIC SCALE: 0' 1'
JOB CAP/DRAWN: SDL
A/E OF RECORD: PSS SHEET No.
SMRT CAD FILE: AE402-03034
PROJECT No. 03034

AE402