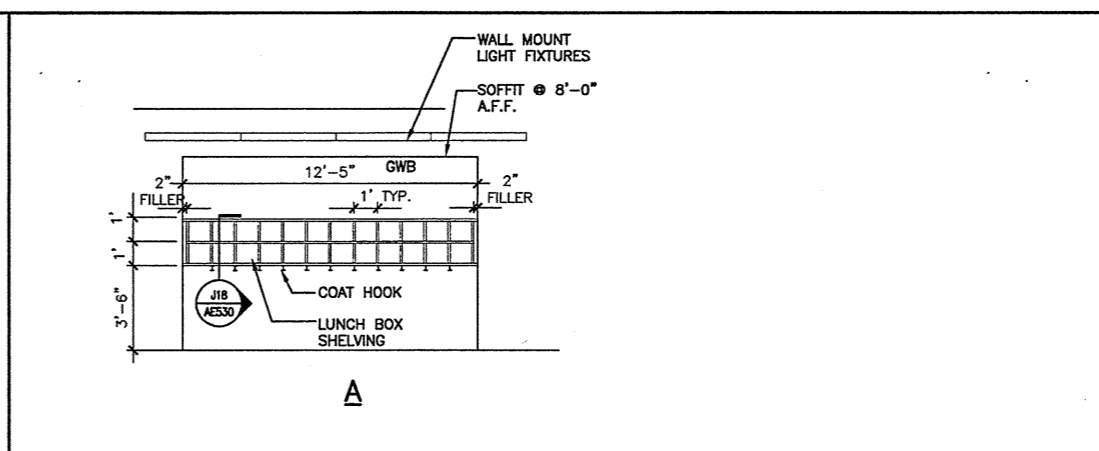
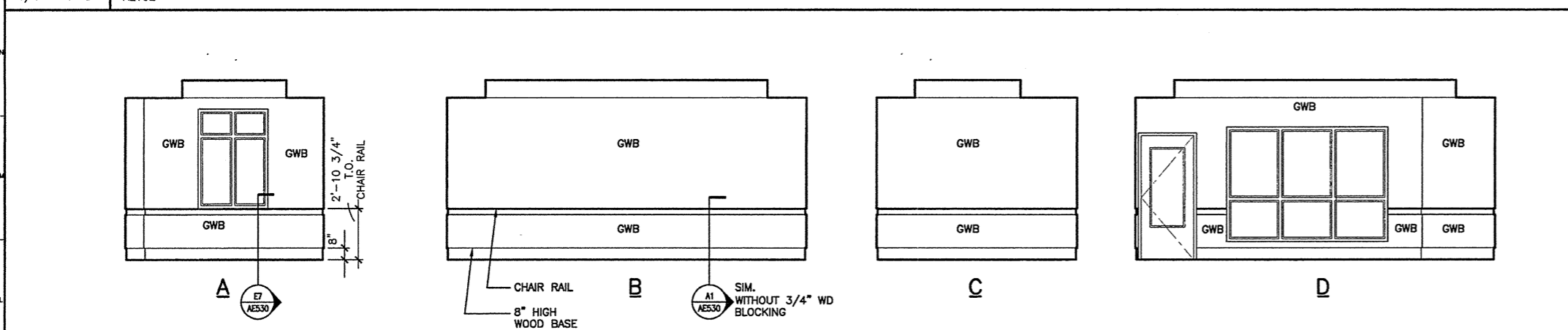


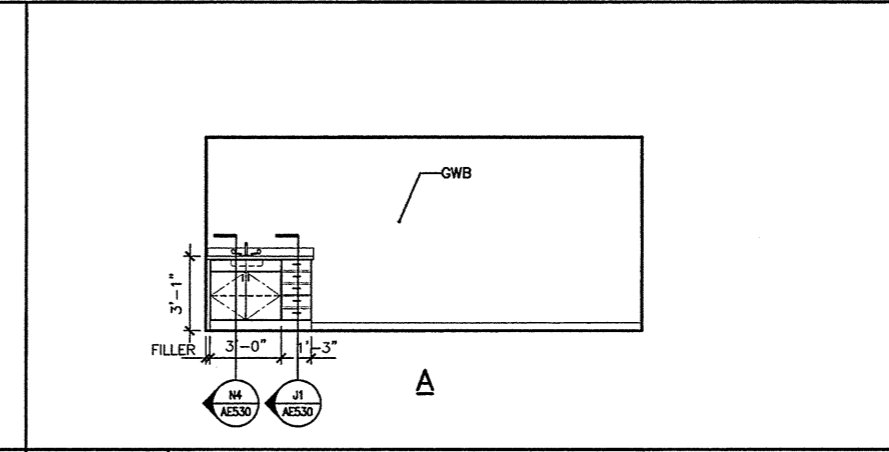
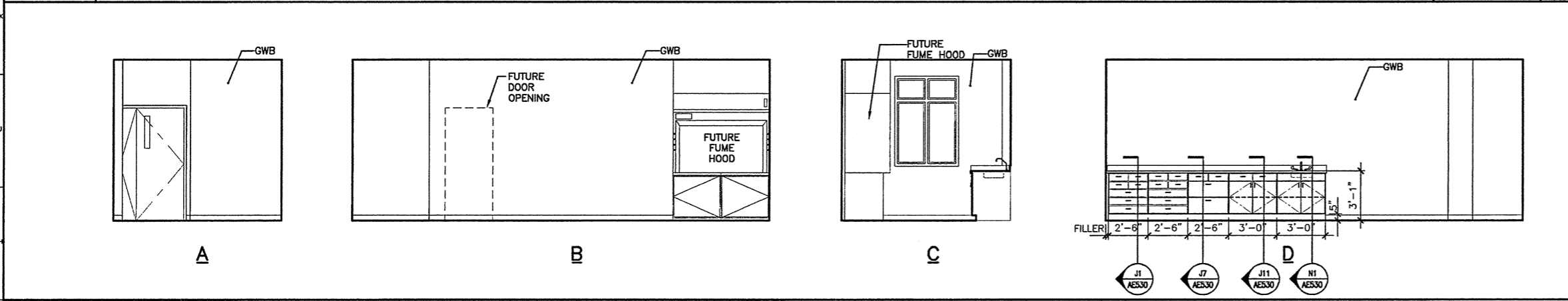
**GENERAL NOTES:**

N1 GMI OCEAN. 2 RM 224,228, GMI WET LAB RM 230, GMI DRY LAB RM 236  
 1/4" = 1'-0" AE102



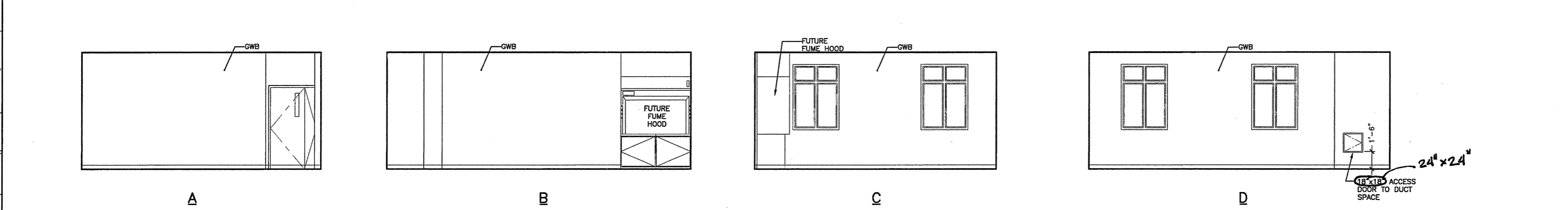
K1 CONFERENCE RM 215 & 317  
 1/4" = 1'-0" AE102,103

K12 CORRIDOR 105  
 1/4" = 1'-0" AE101

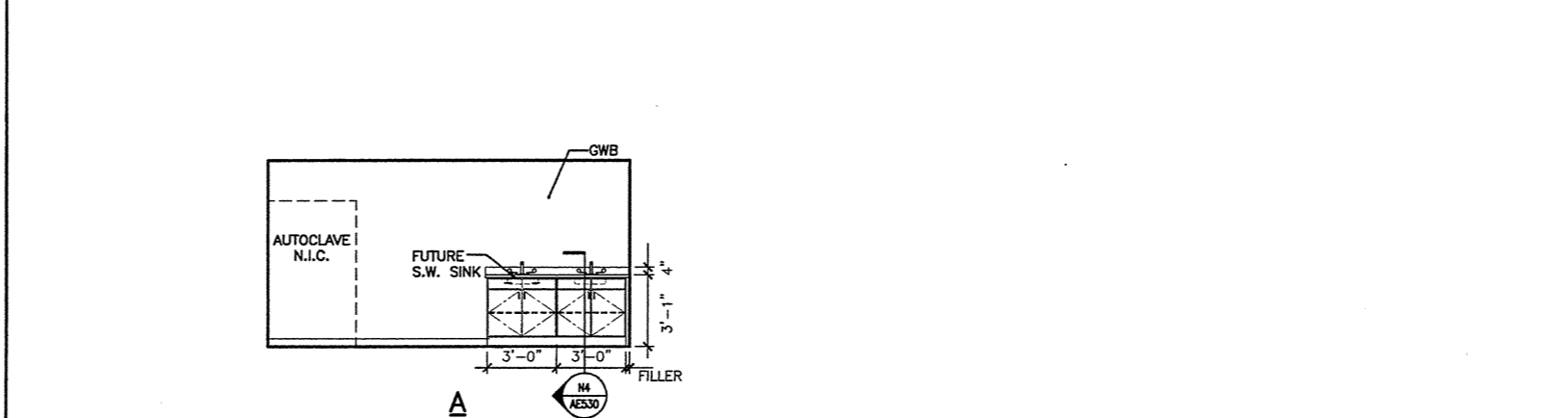
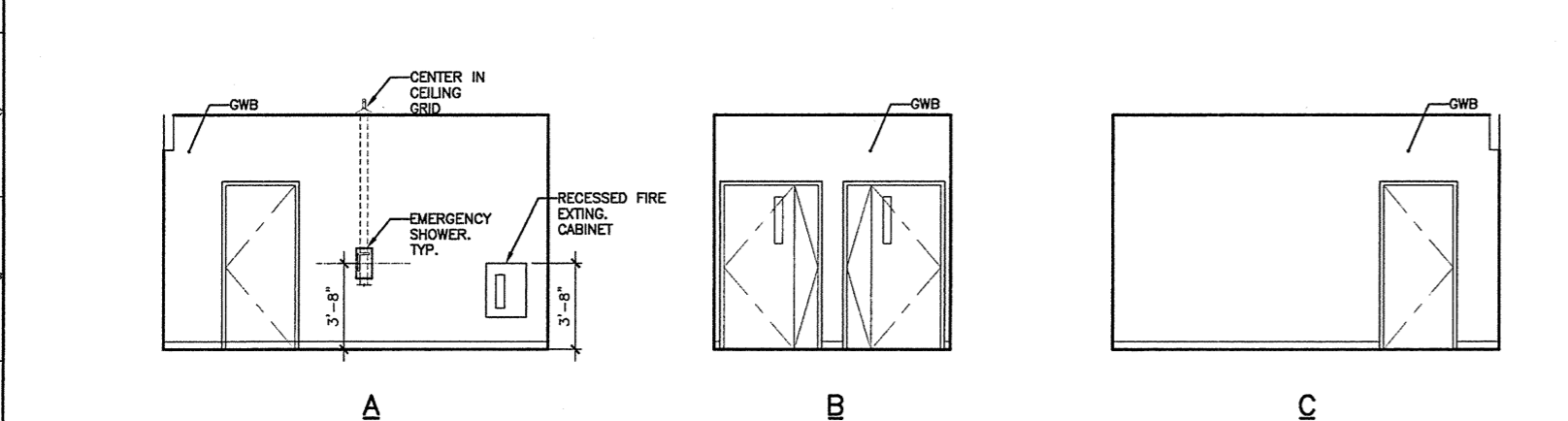


G1 GMI ANALY LAB RM 241  
 1/4" = 1'-0" AE102

G13 EQUIP. RM 238  
 1/4" = 1'-0" AE102



D1 GMI WORK SPACES RM 242  
 1/4" = 1'-0" AE102



A1 CORRIDOR 235  
 1/4" = 1'-0" AE102

A9 AUTOCLAVE RM 222  
 1/4" = 1'-0" AE102

0	ISSUED FOR CONSTRUCTION	10-23-03
REV.	DESCRIPTION	DATE
<b>ISSUED FOR CONSTRUCTION</b>		
<b>10-23-03</b>		



**SM RT** ARCHITECTURE ENGINEERING PLANNING  
 SMRT  
 144 Fore Street P.O. Box 618  
 Portland, Maine 04104  
 tel. (207) 772-3846  
 fax. (207) 772-1070

**THE GULF OF MAINE RESEARCH INSTITUTE**  
 PORTLAND, MAINE

PROJECT: **INTERIOR ELEVATIONS**

SHEET TITLE: AE221  
 SCALE: 1/4" = 1'-0" DATE: 10-23-03  
 PROJECT MANAGER: DRL GRAPHIC SCALE: 0" 1"  
 JOB CAP/DRAWN: SDL  
 A/E OF RECORD: PSS SHEET No.  
 SMRT CAD FILE: AE221-03034  
 PROJECT No. 03034