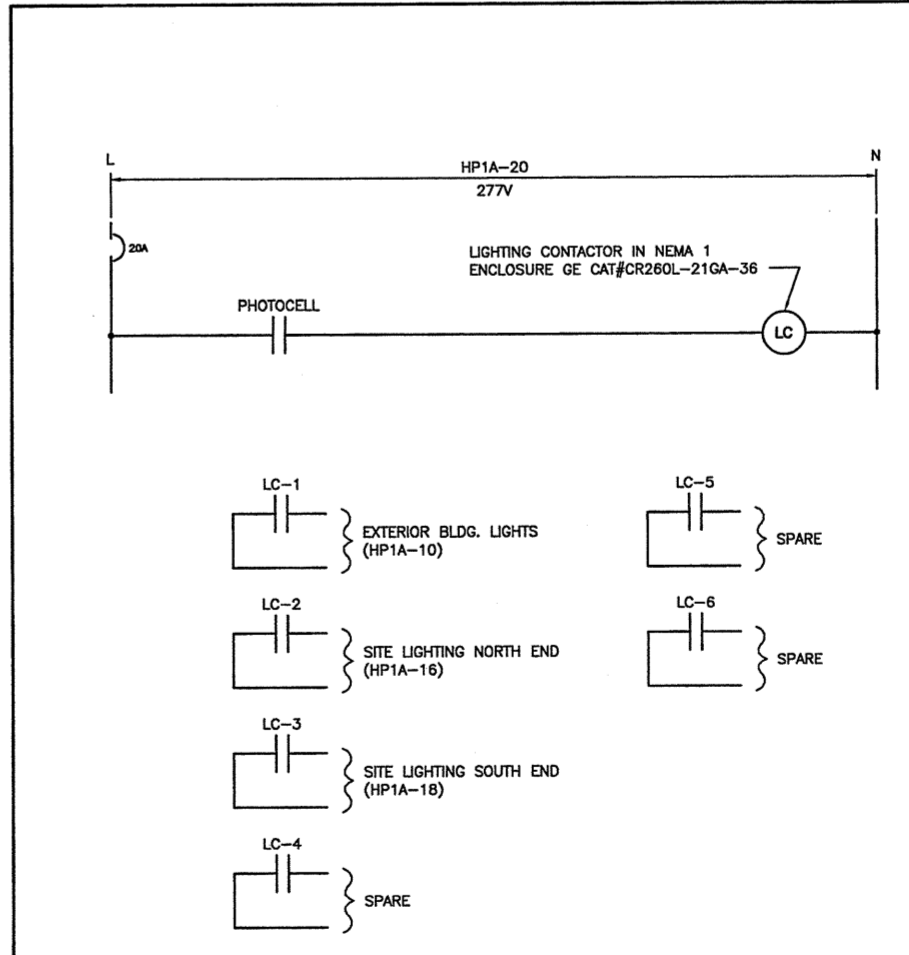


LIGHT FIXTURE SCHEDULE					
TYPE	DESCRIPTION	MFR.	LAMPS	MOUNTING	NOTES
A	1x4 SURFACE WRAPAROUND FLUORESCENT FIXTURE W/ACRYLIC LENS & ELECTRONIC BALLAST. 277V	METALUX WBI-232MA-277EBB1	2-32W TB	SURFACE	
A1	1x4 SURFACE WRAPAROUND FLUORESCENT FIXTURE W/ACRYLIC LENS & EMERGENCY BALLAST. 277V	METALUX WBI-232MA-277EBB1-EL4	2-32W TB	SURFACE	
B	4' INDUSTRIAL FLUORESCENT FIXTURE W/APERTURED REFLECTOR & ELECTRONIC BALLAST. 277V	METALUX IA-232-277EBB1	2-32W TB	CHAIN HUNG 8'-0" AFF.	
B1	4' INDUSTRIAL FLUORESCENT FIXTURE W/APERTURED REFLECTOR & EMERGENCY BALLAST. 277V	METALUX IA-232-277EBB1-EL4	2-32W TB	CHAIN HUNG 8'-0" AFF.	WHERE LIGHTS ARE SHOWN TO BE SWITCHED, PROVIDE ADDITIONAL "HOT" WIRE TO BALLAST.
B2	4' INDUSTRIAL FLUORESCENT FIXTURE W/APERTURED REFLECTOR & ELECTRONIC BALLAST. 120V	METALUX IA-232-120EBB1	2-32W TB	CHAIN HUNG 8'-0" AFF.	
C	4' WET LOCATION RATED FLUORESCENT FIXTURE W/PRISMATIC LENS & ELECTRONIC BALLAST. CORROSION RESISTANT. 277V	METALUX VT2-232DR-277EBB1-WL	2-32W TB	PENDANT HUNG 8'-0" AFF.	
C1	4' WET LOCATION RATED FLUORESCENT FIXTURE W/PRISMATIC LENS & EMERGENCY BALLAST. CORROSION RESISTANT. 277V	METALUX VT2-232DR-277EBB1-WL-EL4	2-32W TB	PENDANT HUNG 8'-0" AFF.	WHERE LIGHTS ARE SHOWN TO BE SWITCHED, PROVIDE ADDITIONAL "HOT" WIRE TO BALLAST.
D	2x2 INDIRECT FLUORESCENT FIXTURE W/ROUND PERFORATED CENTER & ELECTRONIC BALLAST. 277V	METALUX 2RDI-317RP-277EBB1	3-17W TB	RECESSED	
D1	2x2 INDIRECT FLUORESCENT FIXTURE W/ROUND PERFORATED CENTER & EMERGENCY BALLAST. 277V	METALUX 2RDI-317RP-277EBB1-EL4	3-17W TB	RECESSED	WHERE LIGHTS ARE SHOWN TO BE SWITCHED, PROVIDE ADDITIONAL "HOT" WIRE TO BALLAST.
F	2x4 ACRYLIC FLUORESCENT FIXTURE W/ELECTRONIC BALLAST. 277V	METALUX 26C-232A-277EBB1	2-32W TB	RECESSED	
F1	2x4 ACRYLIC FLUORESCENT FIXTURE W/EMERGENCY BALLAST. 277V	METALUX 26C-232A-277EBB1-EL4	2-32W TB	RECESSED	WHERE LIGHTS ARE SHOWN TO BE SWITCHED, PROVIDE ADDITIONAL "HOT" WIRE TO BALLAST.
F2	2x4 ACRYLIC FLUORESCENT FIXTURE W/DIMMING ELECTRONIC BALLAST. 277V	METALUX 26C-232A-277EBB1-DIM	2-32W TB	RECESSED	
F3	2x4 ACRYLIC FLUORESCENT FIXTURE W/DIMMING EMERGENCY BALLAST. 277V	METALUX 26C-232A-277EBB1-DIM-EL4	2-32W TB	RECESSED	
F4	2x4 ACRYLIC FLUORESCENT FIXTURE W/EMERGENCY BALLAST, FLANGED TRIM. 277V	METALUX 2FC-232A-277EBB1-EL4 WITH 95-PF-24 PLASTER FRAME	2-32W TB	RECESSED	WHERE LIGHTS ARE SHOWN TO BE SWITCHED, PROVIDE ADDITIONAL "HOT" WIRE TO BALLAST.
G	2x4 SEALED, CORROSION RESISTANT FLUORESCENT FIXTURE W/2 ELECTRONIC BALLASTS. 277V	GUTH K-1-24-3F32-68AP3-277/2EBB	3-32W TB	RECESSED	2 BALLASTS, 1 CONTROLS OUTER LAMPS, 1 CONTROLS MIDDLE LAMP.
G1	2x4 SEALED, CORROSION RESISTANT FLUORESCENT FIXTURE W/1 EMERGENCY BALLAST AND 1 ELECTRONIC BALLAST. 277V	GUTH K-1-24-3F32-68AP3-277/2EBB/BEF	3-32W TB	RECESSED	2 BALLASTS, EMERGENCY BALLAST CONTROLS MIDDLE LAMP, ELECTRONIC BALLAST CONTROLS OUTER LAMPS, WHERE LIGHTS ARE SHOWN TO BE SWITCHED, PROVIDE ADDITIONAL "HOT" WIRE TO BALLAST.
H1	WALL MOUNTED DIRECT FLUORESCENT FIXTURE W/PARABOLIC LOUVER, STEEL HOUSING, EMERGENCY ELECTRONIC BALLAST. 277V	LINEAR LIGHTING D873-D-2-TB-277-PBL-WMT-BW-EM	2-32W TB	WALL 8'-0" AFF UNLESS OTHERWISE NOTED	
J	PENDANT DIRECT/INDIRECT FLUORESCENT FIXTURE W/RECTANGULAR PERFORATIONS, ELECTRONIC BALLAST, EXTERNAL CABLE, WHITE COLOR. 277V	LINEAR LIGHTING C210P1-B-2-ETB-277-PRT-ECXX-BW	2-32W TB	CABLE PENDANT 8'-0" AFF	
J1	PENDANT DIRECT/INDIRECT FLUORESCENT FIXTURE W/RECTANGULAR PERFORATIONS, EMERGENCY BALLAST, EXTERNAL CABLE, WHITE COLOR. 277V	LINEAR LIGHTING C210P1-B-2-ETB-277-PRT-ECXX-BW-EM	2-32W TB	CABLE PENDANT 8'-0" AFF	
K	WALL MOUNTED DIRECT/INDIRECT FLUORESCENT FIXTURE WITH MAGNEAM LOUVER AND ELECTRONIC BALLAST, WHITE COLOR. 277V	LINEAR LIGHTING D79-B-1/1-TB-277-NS/MBL-WMT-BW-NO	2-32W TB PER 4' SECTION	WALL 7'-6" AFF	
M	7-3/8 COMPACT FLUORESCENT HORIZONTAL DOWNLIGHT WITH SELF FLANGED SPECULAR CLEAR, LOW IREDESCENT REFLECTOR. 277V	PORTFOLIO C72282E-7251U	2-26W QUAD	RECESSED	
M1	7-3/8 COMPACT FLUORESCENT HORIZONTAL DOWNLIGHT WITH EMERGENCY BALLAST AND SELF FLANGED SPECULAR CLEAR REFLECTOR. 277V	PORTFOLIO PD71228EM-7HEMC	2-26W QUAD	RECESSED	WHERE LIGHTS ARE SHOWN TO BE SWITCHED, PROVIDE ADDITIONAL "HOT" WIRE TO BALLAST.
N	EXTERIOR SURFACE MOUNTED METAL HALIDE FIXTURE, ALUMINUM CONSTRUCTION, TYPE V OPTICS, BLACK COLOR. 277V	USA ARCHITECTURAL LIGHTING PSL16-HRVSQ-100MH277-BKM	1-100W METAL HALIDE	CANOPY SURFACE	PHOTOCELL CONTROLLED
P	WALL-MOUNTED NON-METALLIC VAPORPROOF INCANDESCENT FIXTURE WITH GUARD AND CLEAR GLASS GLOBE, SUITABLE FOR DAMP LOCATIONS. 120V	CANLEY GWF156-GSC	1-150W A21	WALL 7'-0" AFF	
Q	WALL MOUNTED DIRECT/INDIRECT FLUORESCENT FIXTURE WITH ROUND PERFORATED INDIRECT SHIELDING, MAGNEAM LOUVER DIRECT SHIELDING AND ELECTRONIC BALLAST, WHITE COLOR. 277V	LINEAR LIGHTING C313P-B-2-ETB-277-PRD-MBP-WMT-BW	2-32W TB	WALL 8'-0" AFF UNLESS OTHERWISE NOTED	
Q1	WALL MOUNTED DIRECT/INDIRECT FLUORESCENT FIXTURE WITH ROUND PERFORATED INDIRECT SHIELDING, MAGNEAM LOUVER DIRECT SHIELDING AND EMERGENCY BALLAST, WHITE COLOR. 277V	LINEAR LIGHTING C313P-B-2-ETB-277-PRD-MBP-WMT-BW-EM	2-32W TB	WALL 8'-0" AFF UNLESS OTHERWISE NOTED	
R	ENCLOSED METAL HALIDE HIGH BAY FIXTURE, MEDIUM DISTRIBUTION AND SAFETY GLASS LENS. 277V	LUMARK MHQC-QCSA18-M-400-T-277-QCGL	1-400W METAL HALIDE	RECESSED IN CEILING	
R2	ENCLOSED METAL HALIDE HIGH BAY FIXTURE, MEDIUM DISTRIBUTION AND SAFETY GLASS LENS. 277V	LUMARK MHQC-QCSA18-M-175-T-277-QCGL	1-175W METAL HALIDE	RECESSED IN CEILING	
S	EXTERIOR WALL MOUNTED METAL HALIDE FIXTURE, DIE CAST ALUMINUM HOUSING, BLACK COLOR. 277V	BEGA 2483MH	1-70W METAL HALIDE	ABOVE EXTERIOR DOOR UNLESS OTHERWISE NOTED	
T	EXTERIOR WALL MOUNTED METAL HALIDE FIXTURE, REMOTE MOUNTED BALLAST, BLACK COLOR. 277V	LOUIS-POULSEN "NYHAW" NYW-MAX-254-277	1-100W METAL HALIDE	8'-0" AFF	

LIGHT FIXTURE SCHEDULE					
TYPE	DESCRIPTION	MFR.	LAMPS	MOUNTING	NOTES
V	PENDANT MOUNTED DIRECT/INDIRECT FLUORESCENT FIXTURE WITH NO INDIRECT SHIELDING, TRIANGLE LOUVER DIRECT SHIELDING 18" STEM AND ELECTRONIC BALLAST, WHITE COLOR. 277V	LINEAR LIGHTING EXCS12-B-2/1-ETB-277-NS/TLP-S18-BW	3-32W TB	18" BELOW CEILING UNLESS OTHERWISE NOTED	
VI	PENDANT MOUNTED DIRECT/INDIRECT FLUORESCENT FIXTURE WITH NO INDIRECT SHIELDING, TRIANGLE LOUVER DIRECT SHIELDING 18" STEM AND EMERGENCY BALLAST, WHITE COLOR. 277V	LINEAR LIGHTING EXCS12-B-2/1-ETB-277-NS/TLP-S18-BW-EM	3-32W TB	18" BELOW CEILING UNLESS OTHERWISE NOTED	WHERE LIGHTS ARE SHOWN TO BE SWITCHED, PROVIDE ADDITIONAL "HOT" WIRE TO BALLAST.
W	PENDANT MOUNTED ASYMMETRICAL DIRECT/INDIRECT FLUORESCENT FIXTURE WITH 2 ELECTRONIC BALLASTS. 277V	LINEAR LIGHTING AD11-B-1/1-2ETB-277	2-32W TB	9'-0" AFF	
X	8' PENDANT MOUNTED TRACK LIGHTING WITH REMOTE 600W TRANSFORMER AND (3) FIXTURE HEADS, CHROME FINISH, CLEAR INSULATOR. 277V	TECH LIGHTING 700MOA MONO-RAIL, 700MOSADUC STANDOFF 700AT6024T277 TRANSFORMER 700MOP4022C POWER FEED CANOPY 700MOP12C POWER EXTENDER 700MOCHDC CONNECTOR 700MOCAM12C LOW VOLTAGE FIXTURE	3-50W 24V MR16 HEADS WITH 300-BLV-308 LAMPS	2'-0" BELOW CEILING TO FIXTURE	PROVIDE (3) 12" CHROME STANDOFFS AND (1) 12" POWER EXTENDER PER 8' SECTION. PROVIDE 12" CHROME STEM PER FIXTURE.
Y	PENDANT MOUNTED CABLE TRACK LIGHTING WITH REMOTE 600W TRANSFORMER AND (3) FIXTURE HEADS, BARE TIN PLATED COPPER CABLE. 277V	TECH LIGHTING K-HELLO FIXTURE HEADS	3-50W 24V MR16 HEADS WITH 300-BLV-308 LAMPS	8'-0" AFF	CABLES NEED TO BE SUPPORTED BETWEEN NORTH & SOUTH WALLS. PROVIDE ADJUSTABLE STANDOFFS TO SUPPORT CABLE. TRANSFORMERS TO BE MOUNTED ABOVE ACCESSIBLE CEILING IN LOUNGE. PROVIDE POWER FEED TURNBUCKLE CONNECTION.
Z	PENDANT MOUNTED, METAL HALIDE HIGH BAY FIXTURE, GRAY ALUMINUM FINISH, MEDIUM REFLECTOR, OPAL POLYCARBONATE SHADE. 277V	LOUIS POULSEN CHA-1/100W/CMH/ED-17/-0 MEDIUM-277V-GREY ALU-MEDIUM-OPAL POLY	1-100W METAL HALIDE	PENDANT 12' FROM CEILING	
	POLYCARBONATE, LED EXIT SIGN W/BATTERY BACK-UP, RED LETTERS, WHITE FACE & SELF-DIAGNOSTICS. 277V	SURE-LITES CCX-70-RWH277-SD	LED	UNIVERSAL	
	EMERGENCY BATTERY LIGHT, POLYCARBONATE HOUSING, 2 HEADS, LEAD CALCIUM BATTERY, 60W CAPACITY. 277V	SURE-LITES CCT-(2)029-16	2-6W HALOGEN LAMPS	WALL 7'-6" AFF	PROVIDE 6W HALOGEN LAMPS
	SINGLE REMOTE EMERGENCY HEAD, HALOGEN LAMP. 12VDC	SURE-LITES 12T-8-WHU	1-6W HALOGEN	WALL 7'-6" AFF	
	DUAL REMOTE EMERGENCY HEADS, HALOGEN LAMP. 12VDC	SURE-LITES (2)-12T-8-WHU	2-6W HALOGEN	WALL 7'-6" AFF UNLESS OTHERWISE NOTED	

**NOTES:**  
 1. SEE SHEET E-001 FOR LEGEND AND GENERAL NOTES.  
 2. REFER TO SPECIFICATION 16010, PARAGRAPH 1.11(F) REGARDING SUBSTITUTIONS.



**A13 OUTSIDE LIGHTING CONTROL**  
 NOT TO SCALE

0	ISSUED FOR CONSTRUCTION	10-23-03
REV.	DESCRIPTION	DATE
<b>ISSUED FOR CONSTRUCTION</b> 10-23-03		
CURRENT ISSUE STATUS:		
<b>SMRT</b> ARCHITECTURE ENGINEERING PLANNING 144 Fore Street, P.O. Box 618 Portland, Maine 04104 tel. (207) 772-3846 fax. (207) 772-1070		
<b>THE GULF OF MAINE RESEARCH INSTITUTE</b> PORTLAND, MAINE		
<b>LIGHT FIXTURE SCHEDULE</b>		
SHEET TITLE:	AS NOTED	DATE: 10-23-03
PROJECT MANAGER: DRL	GRAPHIC SCALE: 0" = 1'	
JOB CAP/DRAWN: SDL/LAM		
A/E OF RECORD: JPP	SHEET No.	
SMRT CAD FILE: EL601-03034		
PROJECT No. 03034		