

LIGHTING

- 2x4 FLUORESCENT FIXTURE ASSOCIATED CONTROL DEVICE FIXTURE TYPE (SEE LIGHT FIXTURE SCHEDULE)
- 1x4 FLUORESCENT FIXTURE
- 2x2 FLUORESCENT FIXTURE
- FIXTURE WIRED TO UNSWITCHED NORMAL CIRCUIT
- FIXTURE WIRED TO UNSWITCHED EMERGENCY CIRCUIT
- FIXTURE WIRED TO SWITCHED EMERGENCY CIRCUIT
- DOWN LIGHT
- FLUORESCENT STRIP
- WALL MOUNTED FIXTURES
- TRACK LIGHTING
- POLE MOUNTED SITE LIGHTING FIXTURE - FIXTURE TYPE (SEE LIGHT FIXTURE SCHEDULE)
- FLOOD LIGHT
- WALL WASH LIGHT FIXTURE
- EXIT SIGN, CEILING MOUNTED ARROW INDICATES EGRESS DIRECTION SHADING INDICATES SIGN FACE
- EXIT SIGN, WALL MOUNTED SHADING INDICATES SIGN FACE
- COMBINATION EXIT/EMERGENCY LIGHT
- DUAL HEAD EMERGENCY LIGHT BATTERY PACK TO - TIME DELAY RESET
- REMOTE EMERGENCY LIGHTING HEAD
- WALL PACK
- 3-WAY TOGGLE SWITCH
- SINGLE POLE TOGGLE SWITCH INDICATES CONTROLLED FIXTURE
- 4-WAY TOGGLE SWITCH
- DUAL LEVEL SWITCHING
- DIMMER SWITCH, INCANDESCENT OR FLUORESCENT AS REQUIRED.
- TOGGLE SWITCH WITH PILOT LIGHT
- TIMER SWITCH, SPRING WOUND
- SINGLE POLE DOUBLE THROW TOGGLE SWITCH, CENTER POSITION OFF
- WEATHER PROOF
- EXPLOSION PROOF
- UNSWITCHED CONTINUATION OF BRANCH CIRCUIT
- HOME RUN
- OCCUPANCY SENSOR - INDICATES CONTROLLED FIXTURE INDICATES AIMING DIRECTION
- OCCUPANCY SENSOR RELAY
- DAYLIGHT SENSOR LIGHTS CONTROLLED BY SENSOR
- PHOTOCELL

COMMUNICATION & DATA SYSTEMS

- TELEPHONE SYSTEM WALL JACK W-INDICATES WALL MOUNTED AT 48" AFF. P-INDICATES PAYPHONE (2)-INDICATES 2 OUTLETS, SINGLE BOX
- DATA SYSTEM OUTLET
- COMBINATION VOICE/DATA SYSTEM OUTLET
- UNDERFLOOR TELEPHONE SYSTEM OUTLET
- UNDERFLOOR DATA SYSTEM OUTLET
- UNDERFLOOR VOICE & DATA OUTLET
- CABLE TELEVISION SYSTEM OUTLET. MOUNT 18" AFF UNLESS OTHERWISE NOTED
- CLOSED CIRCUIT TELEVISION OUTLET. MOUNT 18" AFF UNLESS OTHERWISE NOTED
- PAGING SYSTEM CONTROL PANEL AND PAGING AMPLIFIER
- PAGING SYSTEM SPEAKER. CEILING MOUNTED
- PAGING SYSTEM SPEAKER. WALL MOUNT AT 7'-6" AFF 1. FLUSH, 2. SURFACE, 3. HORN, 4. DUAL HORN
- VOLUME CONTROL
- INTERCOM SYSTEM HAND KEY
- CLOCK SPEAKER
- INTERCOM SYSTEM HAND SET
- WALL MOUNTED CLOCK
- CEILING MOUNTED TELEPHONE SYSTEM OUTLET
- CEILING MOUNTED DATA SYSTEM OUTLET
- CEILING MOUNTED VOICE & DATA OUTLET

POWER

- NON-FUSED SAFETY SWITCH AMPERE RATING
- NEMA ENCLOSURE RATING
- FUSED SAFETY SWITCH. TOP NUMBER INDICATES SWITCH AMPERE RATING. LOWER NUMBER INDICATES FUSE RATING
- NEMA ENCLOSURE
- MAGNETIC MOTOR STARTER. FWR UNLESS INDICATED OTHERWISE
- NEMA ENCLOSURE RATING
- NEMA SIZE (TYPICAL)
- COMBINATION CIRCUIT BREAKER/MAGNETIC MOTOR STARTER FIRST NUMBER INDICATES CIRCUIT BREAKER AMPERE RATING SECOND NUMBER INDICATES NEMA STARTER SIZE
- COMBINATION FUSED DISCONNECT/MAGNETIC MOTOR STARTER NUMBERS INDICATE DISCONNECT AMPERE RATING/FUSE RATING/NEMA STARTER SIZE
- NON-FUSED DISCONNECT/MAGNETIC MOTOR STARTER FIRST NUMBER INDICATES CIRCUIT BREAKER AMPERE RATING SECOND NUMBER INDICATES NEMA STARTER SIZE
- MANUAL MOTOR STARTER. TOGGLE OPERATED, 1, 2 OR 3 POLE AS REQUIRED. OVERLOAD PROTECTION
- MANUAL MOTOR SWITCH. TOGGLE OPERATED, SINGLE PHASE 1 OR 2 POLE AS REQUIRED (NO OVERLOAD PROTECTION)
- ENCLOSED CIRCUIT BREAKER AMPERE RATING
- ELECTRIC MOTOR, NUMBER INDICATES HORSEPOWER RATING
- EXPLOSION PROOF MOTOR
- VARIABLE AIR VOLUME CONTROL ACTUATORS
- LOCAL SELECTOR SWITCH H/O/A - HAND/OFF/AUTO
- EMERGENCY OFF BREAK GLASS STATION
- PUSHBUTTON STATION
- JUNCTION BOX
- TRANSFORMER
- POWER POLE
- CONDUIT TURNING UP
- CONDUIT TURNING DOWN
- EY CONDUIT SEAL
- DUPLEX RECEPTACLE, NEMA 5-20R. INSTALLED ON EMERGENCY CIRCUIT (TYPICAL)
- GF DUPLEX RECEPTACLE, NEMA 5-20R
- HOSPITAL GRADE DUPLEX RECEPTACLE, NEMA 5-20R
- HOSPITAL GRADE GFCI DUPLEX RECEPTACLE, NEMA 5-20R
- HOSPITAL GRADE ISOLATED GROUND DUPLEX RECEPTACLE, NEMA 5-20R
- SINGLE RECEPTACLE, NEMA 5-20R
- DOUBLE DUPLEX (QUADRUPLX) RECEPTACLE, NEMA 5-20R
- HOSPITAL GRADE DOUBLE DUPLEX RECEPTACLE NEMA 5-20R
- SWITCHED RECEPTACLE
- FLOOR OUTLET, DUPLEX RECEPTACLE, NEMA 5-20R
- POWER RECEPTACLE, 480 VOLT NEMA CONFIGURATION AS NOTED.
- POWER RECEPTACLE, 240 VOLT NEMA CONFIGURATION AS NOTED.
- PANELBOARD, NORMAL POWER
- PANELBOARD, EMERGENCY POWER
- MULTI OUTLET ASSEMBLY

GROUNDING

- GROUND ROD
- EXOTHERMIC WELD CONNECTION
- BOLTED CONNECTION
- BARE COPPER CONDUCTOR RUN EXPOSED
- BARE COPPER CONDUCTOR EMBEDDED IN CONCRETE OR BURIED

NURSE CALL SYSTEM

- NURSE CALL CALL LIGHT
- PATIENT CALL BUTTON
- NURSE CALL PULL CORD
- NURSE CALL MASTER STATION

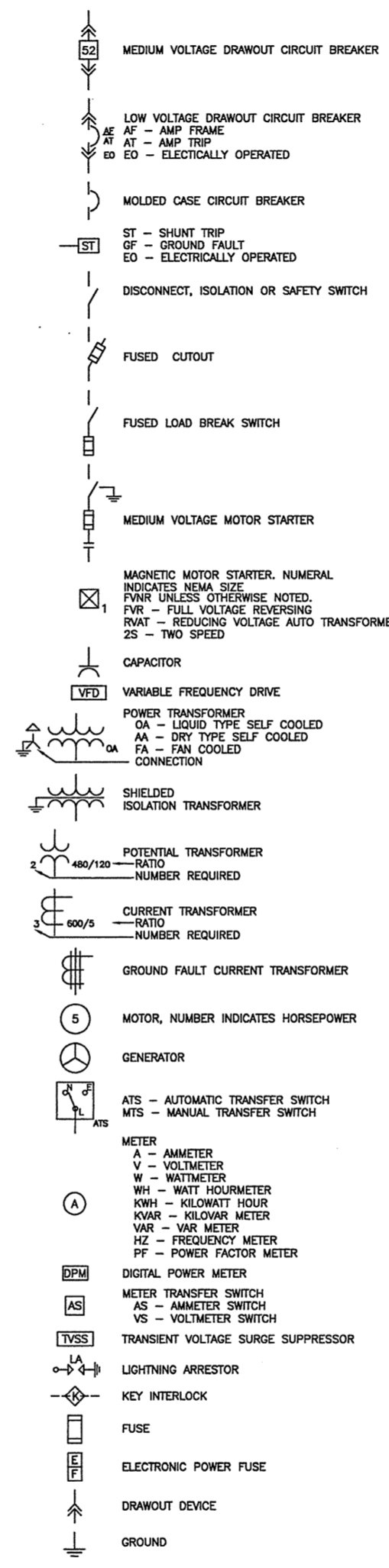
FIRE ALARM

- FIRE ALARM CONTROL PANEL
- FIRE ALARM ANNUNCIATOR
- FIRE ALARM MASTER BOX
- FIRE ALARM MANUAL PULL STATION
- FIRE ALARM SPEAKER/STROBE UNIT
- FIRE ALARM AUDIBLE/VISIBLE NOTIFICATION APPLIANCE (GENERAL EVACUATION)
- FIRE ALARM ELECTRIC BELL
- FIRE ALARM AUDIBLE/VISIBLE NOTIFICATION APPLIANCE CLEAN ROOM NOTIFICATION (LOCAL)
- FIRE ALARM VISIBLE ONLY NOTIFICATION APPLIANCE CANDELA INTENSITY-15/75 UNLESS OTHERWISE NOTED CEILING MOUNTED
- PHOTOELECTRIC SMOKE DETECTOR. CEILING MOUNTED INDICATES AUXILIARY CONTACT.
- FIXED TEMPERATURE HEAT DETECTOR. CEILING MOUNTED.
- INDICATES EQUIPMENT INTERLOCKED WITH THE DETECTOR
- CLEAN ROOM SMOKE DETECTOR
- INDICATES EQUIPMENT INTERLOCKED WITH THE SMOKE DETECTOR
- COMBINATION RATE-OF-RISE/FIXED TEMPERATURE HEAT DETECTOR. CEILING MOUNTED
- DUCT SMOKE DETECTOR, PHOTOELECTRIC WITH AUXILIARY CONTACT.
- SPRINKLER SYSTEM FLOW SWITCH
- SPRINKLER SYSTEM TAMPER SWITCH
- FIRE ALARM SYSTEM MAGNETIC DOOR HOLDER
- INTERLOCK RELAY
- SMOKE DAMPER
- DUCT SMOKE DETECTOR REMOTE TEST INDICATOR
- KNOX BOX

SECURITY SYSTEMS

- 2-WAY CEILING MOUNTED INTERCOM SPEAKER
- CEILING MOUNTED PAGING SPEAKER
- WALL MOUNTED PAGING HORN
- CEILING OR WALL MOUNTED FIXED CAMERA
- CEILING OR WALL MOUNTED PTZ CAMERA
- PAGING CONTROL EQUIPMENT
- INTERCOM MASTER STATION
- DOOR CONTROL EQUIPMENT
- MONITORED DOOR POSITION SWITCH AND CONTROLLED DOOR HARDWARE
- MONITORED DOOR POSITION SWITCH
- STANDARD INTERCOM STATION
- VISITATION TELEPHONE
- WALL MOUNTED DURESS BUTTON
- GRAPHIC CONTROL PANEL
- TOUCH SCREEN WORKSTATION
- CCTV CONTROL OR DISPLAY EQUIPMENT
- PERIMETER CONTROL EQUIPMENT
- DURESS CONTROL EQUIPMENT
- DURESS ALARM RECEIVER
- OFFICER CONTROLLED COLLECT-ONLY PUBLIC TELEPHONE
- OFFICER CONTROLLED FIRE SPRINKLER (DELUGE) HEAD
- DUAL TECHNOLOGY VOLUMETRIC SENSOR
- LOCAL DOOR RELEASE BUTTON
- OFFICER CONTROLLED SHOWER WATER SUPPLY
- OFFICER CONTROLLED LIGHTING AND ELECTRICAL OUTLETS
- DOOR CONTACT
- CARD READER
- KEY PAD
- CLOSED CIRCUIT TELEVISION CAMERA
- ELECTRIC STRIKE
- MAG LOCK
- DOOR PUSH PAD OPERATOR

ONE LINE DIAGRAM



ABBREVIATIONS

- AAMP AMPERE
- AFF ABOVE FINISHED FLOOR
- AFG ABOVE FINISHED GRADE
- AHJ AUTHORITY HAVING JURISDICTION
- AIC AMPERE INTERRUPTING CAPACITY
- AWG AMERICAN WIRE GAUGE
- BFG BELOW FINISHED GRADE
- BOS BOTTOM OF STEEL
- C CONDUIT, CONDUCTOR
- CAIV CABLE TELEVISION
- CB CIRCUIT BREAKER
- CCIV CLOSED CIRCUIT TELEVISION
- CPT CONTROL POWER TRANSFORMER
- CT CURRENT TRANSFORMER
- CU COPPER
- DACT DIRECT ALARM COMMUNICATOR
- DB DIRECT BURIED
- DISC DISCONNECT
- DN DOWN
- EMT ELECTRICAL METALLIC TUBING
- EWG ELECTRIC WATER COOLER
- FAA FIRE ALARM ANNUNCIATOR
- FAF FIRE ALARM CONTROL PANEL
- FACIP FIRE ALARM CONTROL PANEL FURNISHED BY OTHERS
- FBO FUSE
- FUE FURNISHED WITH EQUIPMENT
- GEN GENERATOR
- GFCI GROUND FAULT CIRCUIT INTERRUPTER
- GND GROUND
- HP HORSEPOWER
- HTR HEATER
- IG ISOLATED GROUND
- IMC INTERMEDIATE METAL CONDUIT
- K KILO
- KCMIL THOUSAND CIRCULAR MILS
- KV KILOVOLT
- KVA KILOVOLT-AMPERE
- KVAR KILOVOLT AMPERE REACTIVE
- KW KILOWATT
- KWH KILOWATT-HOUR
- LA LIGHTNING ARRESTER
- LTO LIGHTING
- MC METAL CLAD
- MCB MAIN CIRCUIT BREAKER
- MFR MANUFACTURER
- MI MINERAL INSULATED
- MLO MAIN LUG ONLY
- MTD MOUNTED
- MV MEDIUM VOLTAGE
- NC NORMALLY CLOSED
- NEC NATIONAL ELECTRICAL CODE
- NEG NEGATIVE
- NEUT NEUTRAL
- NIC NOT IN CONTRACT
- NO NORMALLY OPEN
- NIS NOT TO SCALE
- NTS NOT TO SCALE
- PH PHASE
- PFC POLYVINYL CHLORIDE
- PVC RIGID STEEL CONDUIT
- RSC RIGID STEEL CONDUIT
- RTD RESISTANCE TEMPERATURE DETECTOR
- SN SOLID NEUTRAL
- STP SHIELDED TWISTED PAIR
- STT SHIELDED TWISTED TRIPLET
- SWBD SWITCHBOARD
- SWR SWITCHGEAR
- TOS TOP OF STEEL
- TRANS TRANSFORMER
- TYS TRANSIENT VOLTAGE SURGE SUPPRESSOR
- V VOLT
- VA VOLT-AMPERE
- VAR WATT METER
- WM WEATHER PROOF
- WP WEATHER PROOF
- XFMR TRANSFORMER
- XP EXPLOSION PROOF

GENERAL NOTES:

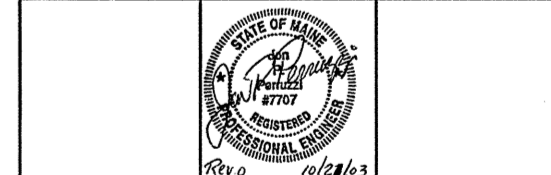
1. ALL WORK SHALL BE PERFORMED IN ACCORDANCE WITH NFPA-70, NATIONAL ELECTRICAL CODE (NEC).
2. ALL MOTOR SAFETY SWITCHES, DISCONNECTS AND MOTOR STARTERS ARE PROVIDED BY DIVISION 16000 UNLESS NOTED AS FURNISHED WITH EQUIPMENT (FWE).
3. UNLESS OTHERWISE NOTED CONVENIENCE RECEPTACLES SHALL BE MOUNTED 18-INCHES AFF. LIGHTING TOGGLE SWITCHES 48-INCHES AFF. DATA SYSTEM OUTLETS 18-INCHES AFF. FIRE ALARM NOTIFICATION DEVICES 80-INCHES AFF OR 6-INCHES BELOW CEILING, WHICHEVER IS LOWER, AND FIRE ALARM MANUAL PULL STATIONS 48-INCHES AFF TO TOP OF DEVICE.
4. ALL PENETRATIONS THROUGH FLOORS, RATED WALLS AND PARTITIONS SHALL BE SEALED WITH UL APPROVED FIRE SEALANT MATERIAL TO MAINTAIN THE RATING OF THE SEPARATION.
5. ALL ENCLOSURES, CONDUIT BODIES AND THEIR COVERS CONTAINING FIRE ALARM SYSTEM CONDUCTORS SHALL BE PAINTED RED.
6. AN EQUIPMENT GROUNDING CONDUCTOR SHALL BE INSTALLED WITH EVERY FEEDER AND BRANCH CIRCUIT.
7. UNLESS OTHERWISE NOTED WIRING SHALL BE 2 #12 AWG CONDUCTORS & #12 GND. HOME RUNS FED FROM 20A-1P CIRCUITS IN EXCESS OF 100 FEET SHALL BE #10 AWG.
8. FLEXIBLE CONNECTIONS TO MOTORS SHALL BE LIQUID TIGHT FLEXIBLE METAL CONDUIT, UNLESS OTHERWISE NOTED.
9. LIGHTING TOGGLE SWITCHES SHALL BE COMMERCIAL SPECIFICATION GRADE 277 VOLT, SIDE WIRED AND PROVIDED WITH GROUNDING SCREW. LEVITON, PASS AND SEMOUR OR APPROVED EQUAL. COLOR SHALL BE WHITE. PROVIDE LEVITON "DECORA ENVT" TYPE IN OFFICES AND PUBLIC SPACES OR APPROVED EQUAL.
10. CONVENIENCE RECEPTACLES SHALL BE COMMERCIAL SPECIFICATIONS GRADE GROUNDING TYPE NEMA 5-20R, SIDE WIRED. LEVITON, PASS AND SEMOUR OR APPROVED EQUAL. COLOR SHALL BE WHITE. PROVIDE LEVITON "DECORA ENVT" TYPE IN OFFICES AND PUBLIC SPACES OR APPROVED EQUAL.
11. FLOOR OUTLET BOXES SHALL BE COMBINATION POWER & VOICE/DATA TYPE WITH (2) DUPLEX RECEPTACLES AND (4) VOICE/DATA OUTLETS. STEEL CITY STYLE AFM-4. BLACK COLOR.
12. PROVIDE WALL PLATES FOR ALL WIRING DEVICES, WHITE NYLON SMOOTH TYPE IN LABS AREAS AND STAINLESS STEEL IN ALL OTHER AREAS.

GENERAL NOTE

1. ALL GENERAL NOTES, SYMBOL LISTS, AND DETAILS ARE TO BE CONSIDERED AS APPLICABLE TO ALL ELECTRICAL DRAWINGS FOR THIS PROJECT. SYMBOLS AND ABBREVIATIONS SHOWN ON THIS SHEET ARE FOR REFERENCE ONLY AND DO NOT INDICATE THEIR INCORPORATION IN THE DESIGN.

0	ISSUED FOR CONSTRUCTION	10-23-03
REV.	DESCRIPTION	DATE

ISSUED FOR CONSTRUCTION
10-23-03



SMRT ARCHITECTURE ENGINEERING PLANNING
SMRT
144 Fore Street P.O. Box 618
Portland, Maine 04104
tel. (207) 772-3846
fax. (207) 772-1070

THE GULF OF MAINE RESEARCH INSTITUTE
PORTLAND, MAINE

PROJECT: **LEGEND AND GENERAL NOTES**

SHEET TITLE: **E-001**

SCALE: AS NOTED DATE: 10-23-03

PROJECT MANAGER: DRL GRAPHIC SCALE: 1" = 1'

JOB CAP/DRAWN: SDL/LAM

A/E OF RECORD: JPP SHEET No.

SMRT CAD FILE: E-001-03034

PROJECT No. 03034