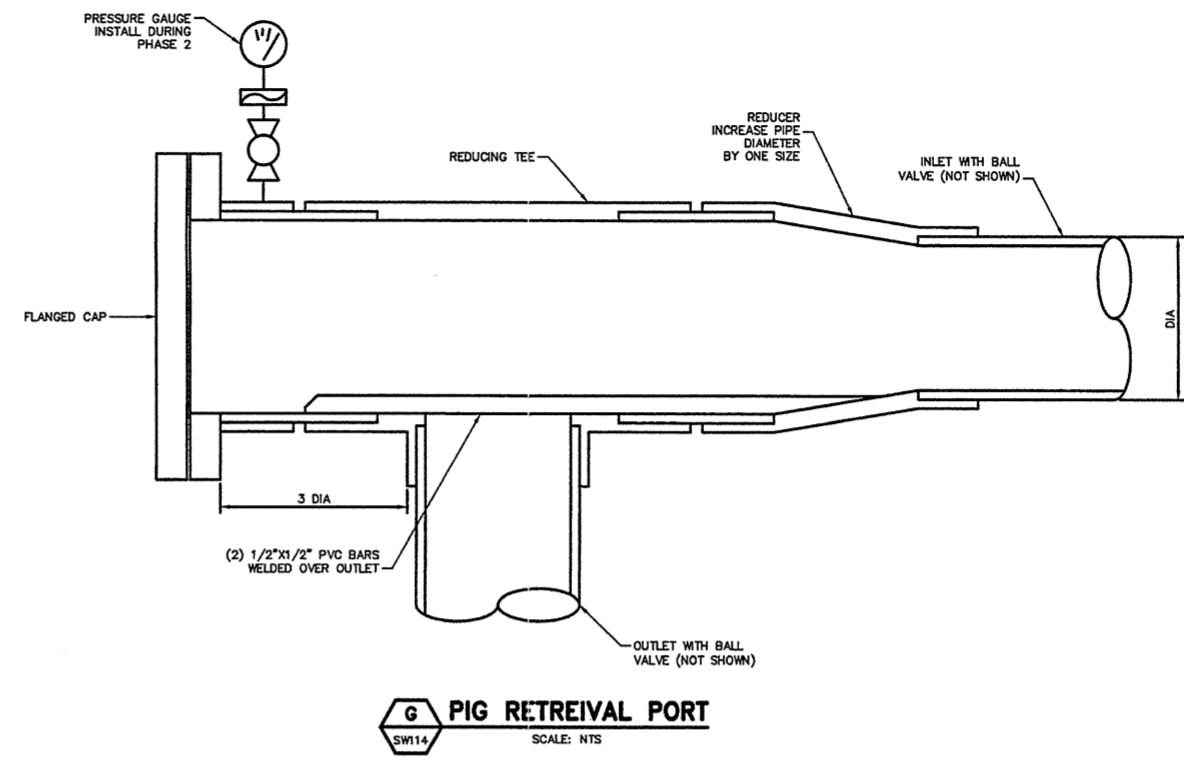
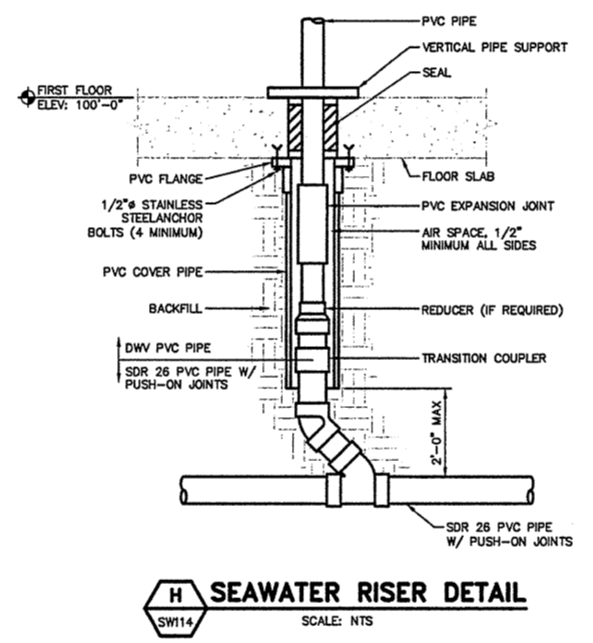
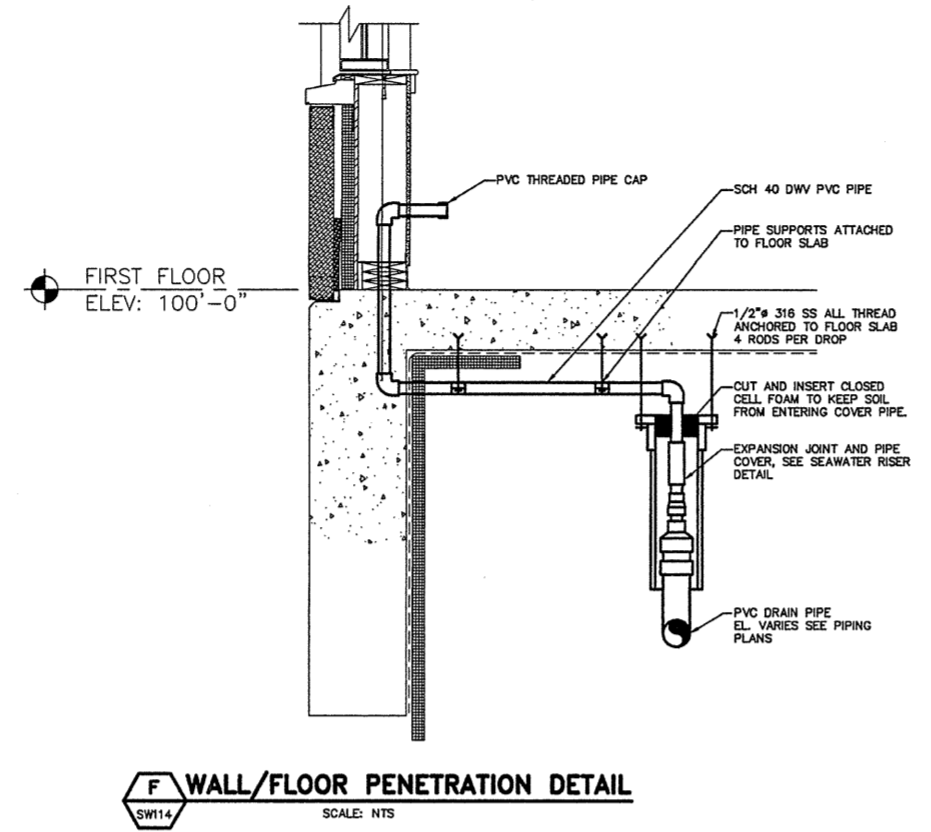
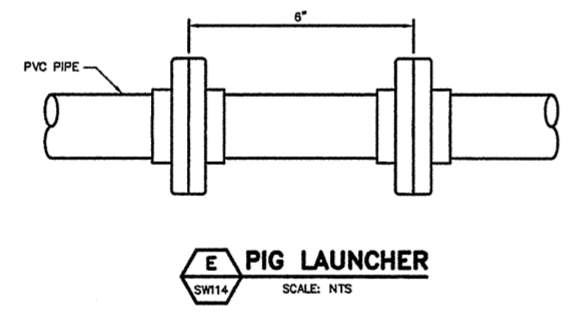
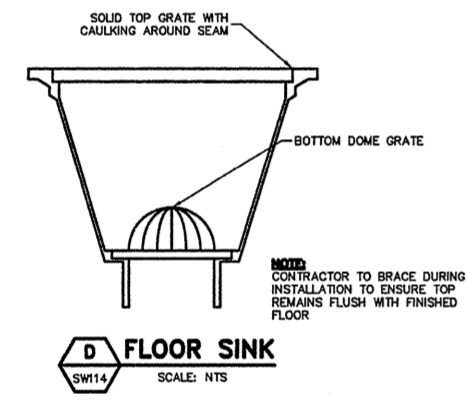
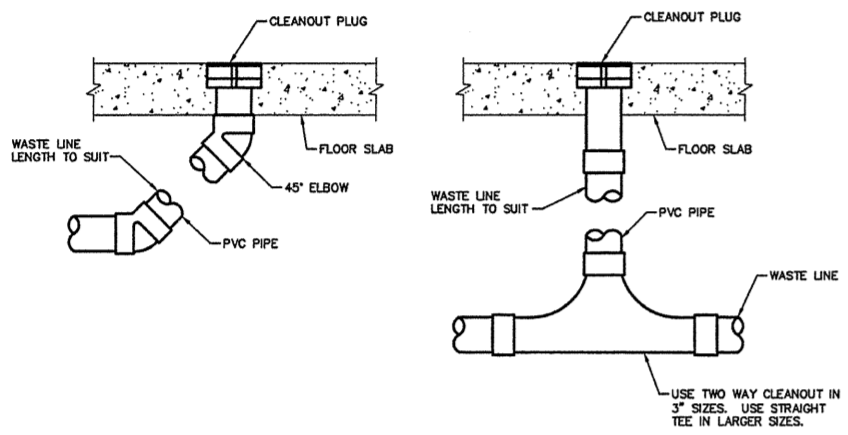
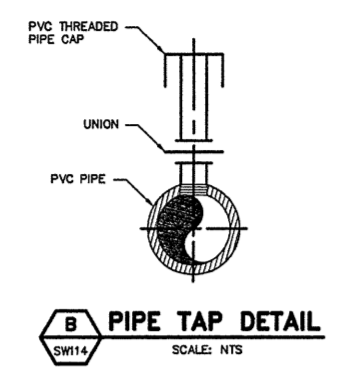
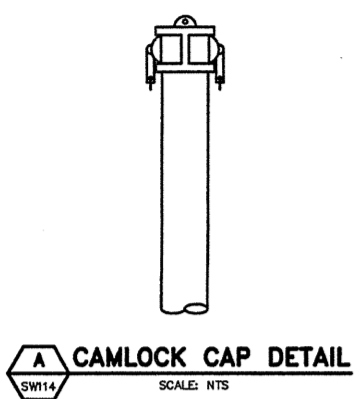


NOTE:
 1. SEE SHEET M-001 FOR LEGEND AND ABBREVIATIONS.



0	ISSUED FOR CONSTRUCTION	10/23/03
REV.	DESCRIPTION	DATE
ISSUED FOR CONSTRUCTION 10/23/03		
CURRENT ISSUE STATUS:		
PROJECT NORTH		
SM RT ARCHITECTURE ENGINEERING PLANNING 144 Fore Street P.O. Box 618 Portland, Maine 04104 tel. (207) 772-3846 fax. (207) 772-1070		
THE GULF OF MAINE RESEARCH INSTITUTE PORTLAND, MAINE		
DETAILS		
SHEET TITLE:	1/8" = 1'-0"	DATE:
DESIGNED BY: JSC	GRAPHIC SCALE: 0" = 1"	
DRAWN BY: JSC		
CHECKED BY: MCJ	SHEET No.	
FILE: PL114-03034		
PROJECT No. 03034		SW108