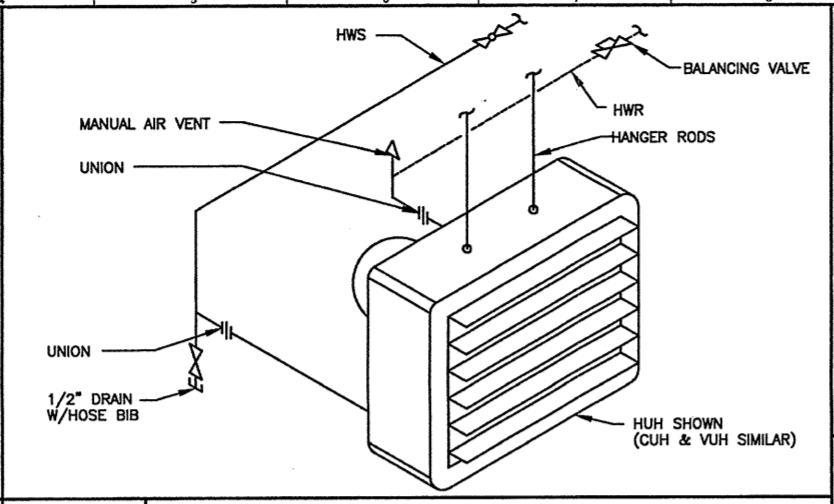
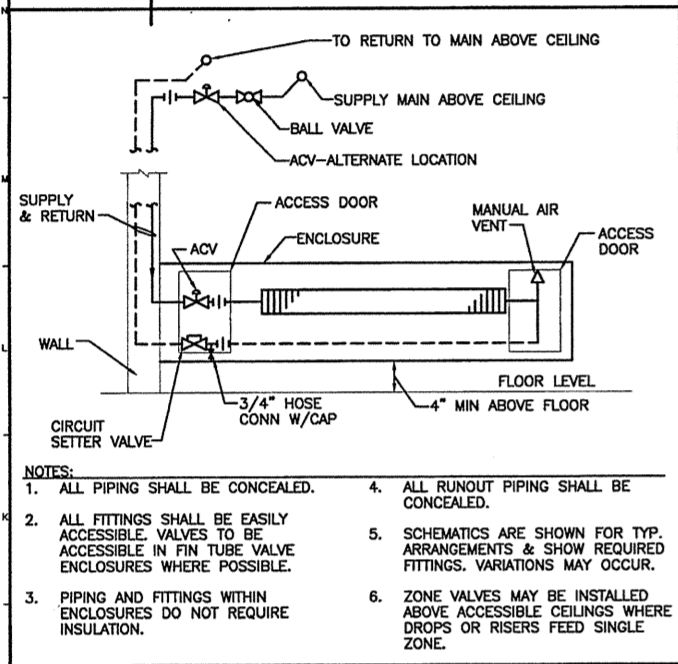


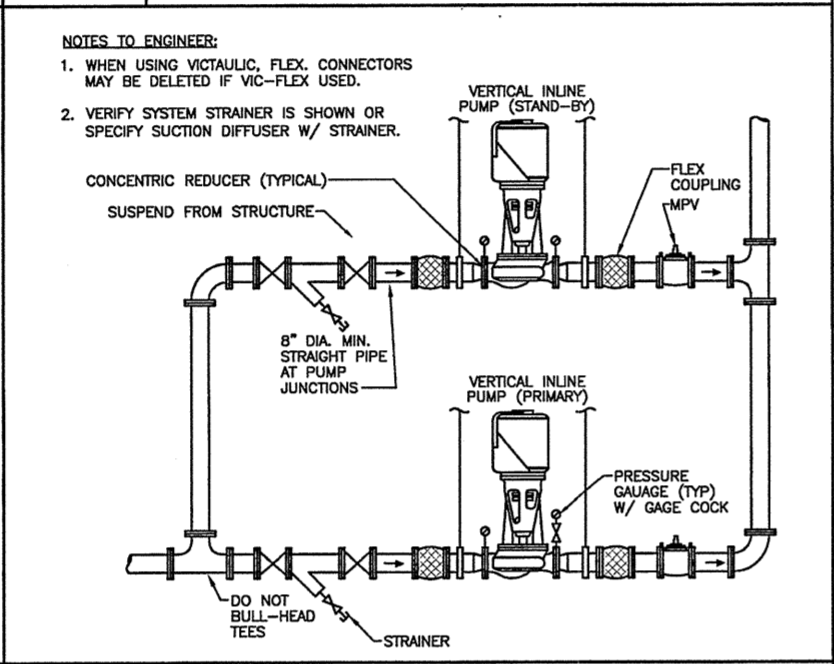
N1 TRANSFER DUCT
NOT TO SCALE



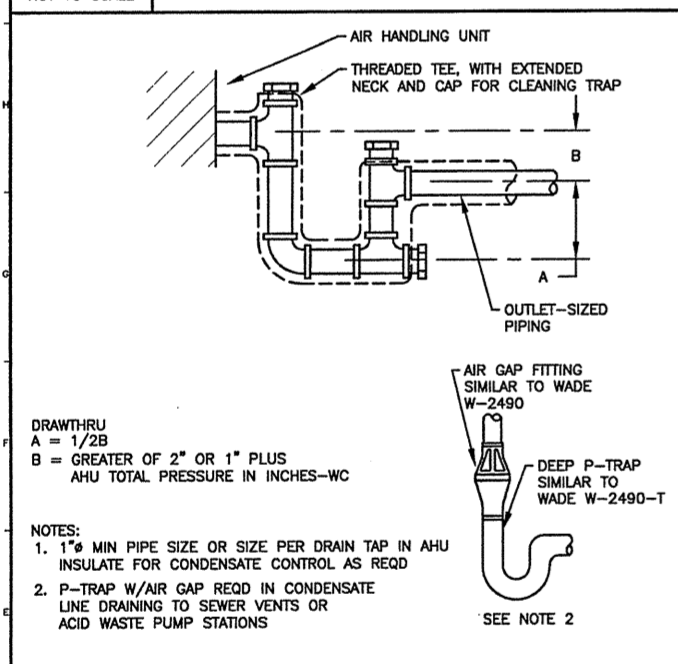
N4 UNIT HEATER PIPING SCHEMATIC
NOT TO SCALE



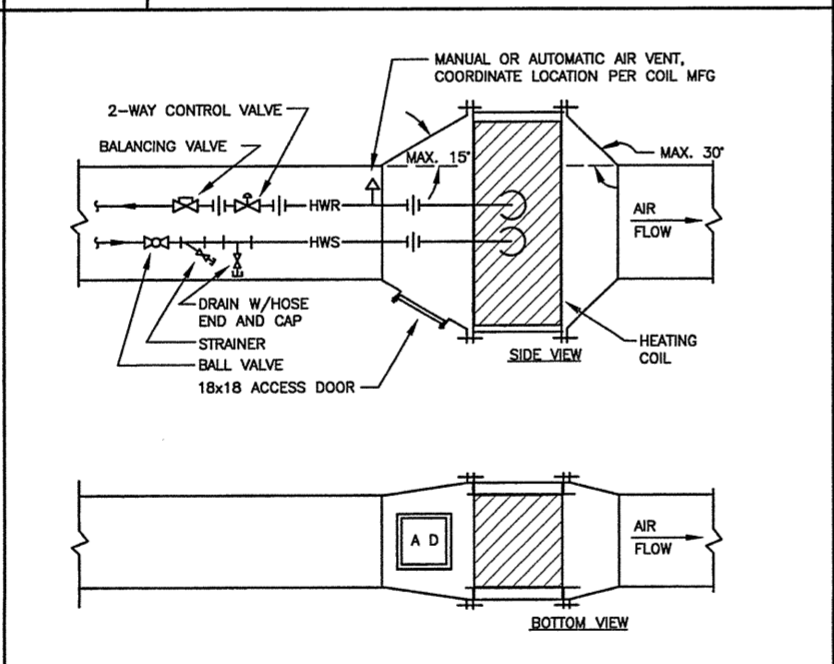
J1 HOT WATER FIN-TUBE PIPING
NOT TO SCALE



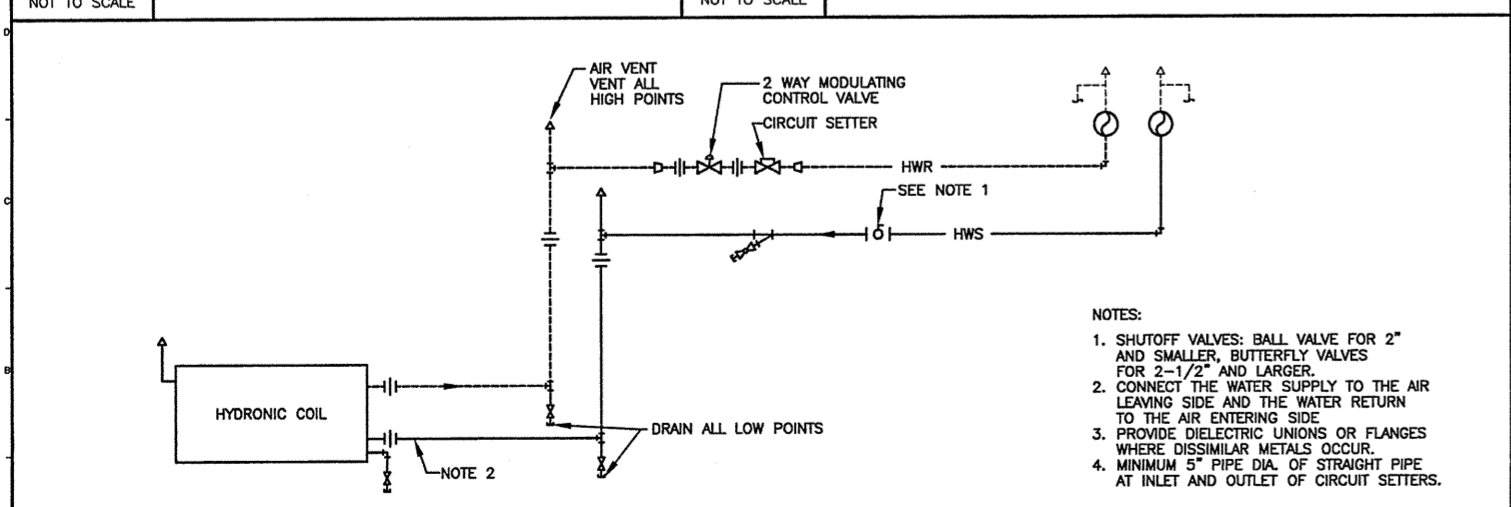
J4 VERTICAL IN-LINE PUMP PIPING DETAIL
NOT TO SCALE



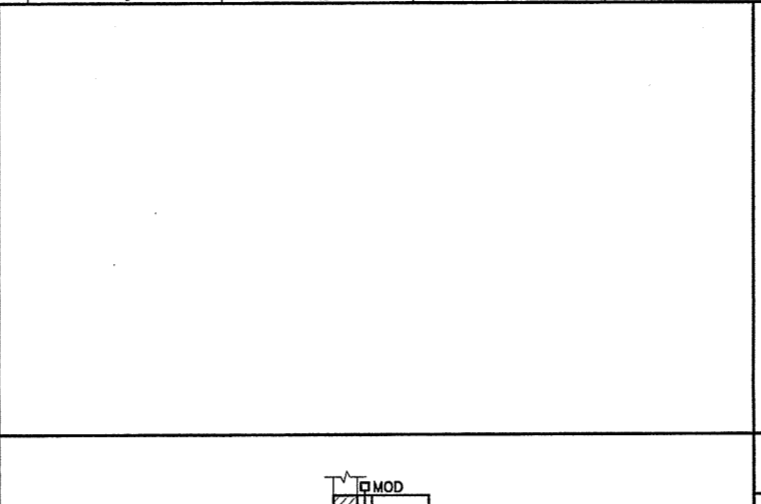
E1 CONDENSATE DRAIN TRAP
NOT TO SCALE



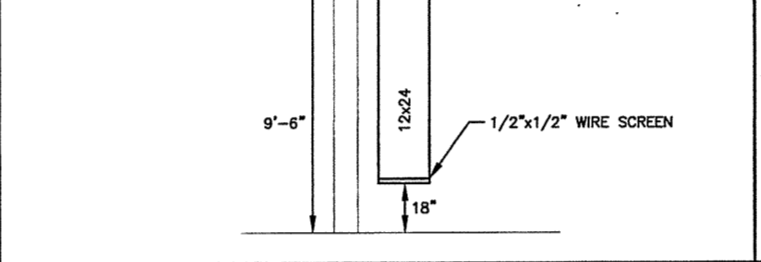
E4 DUCT HEATING COIL PIPING SCHEMATIC
NOT TO SCALE



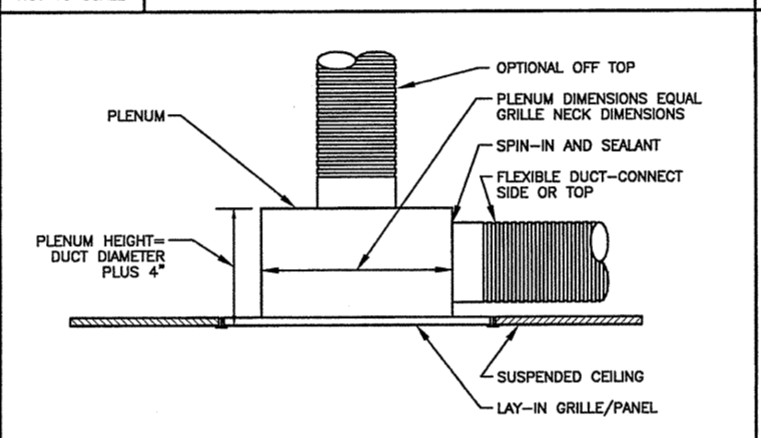
A1 DUCT MOUNTED REHEAT COIL, TWO-WAY VALVE
NOT TO SCALE



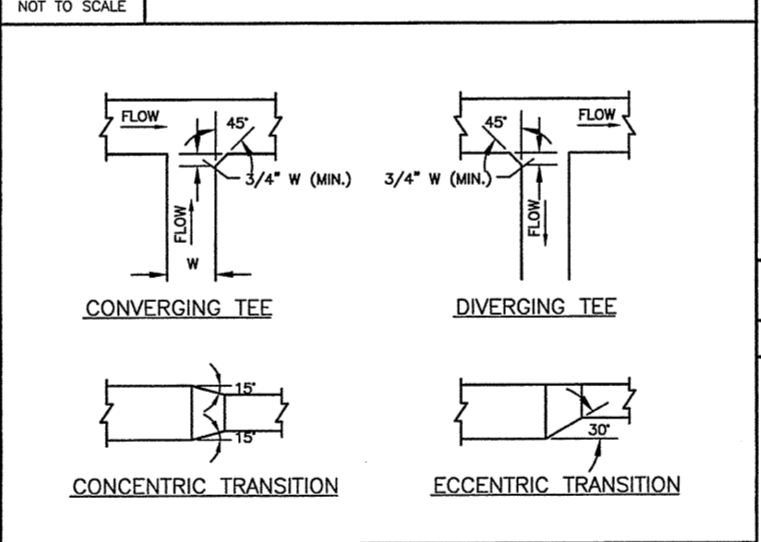
L9 EXHAUST FAN
NOT TO SCALE



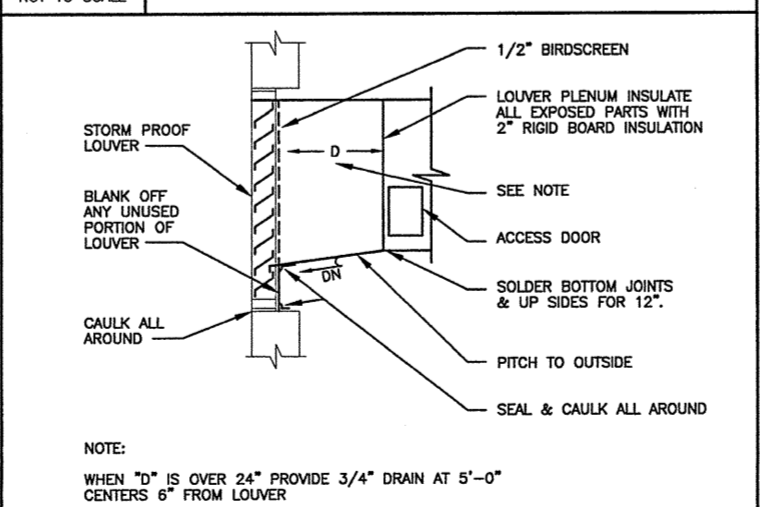
L13 DUCT MAIN AND BRANCH TAKE OFFS
NOT TO SCALE



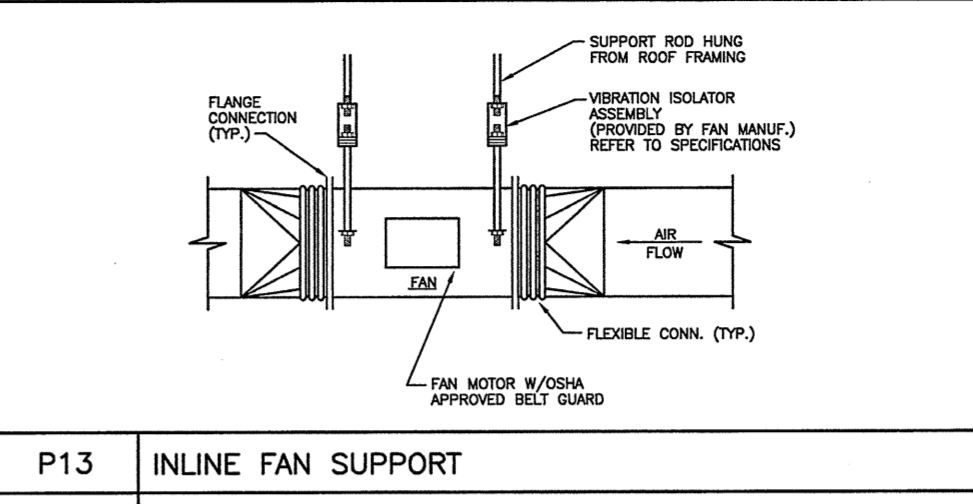
H9 TYP. RETURN & TRANSFER GRILLE PLENUM
NOT TO SCALE



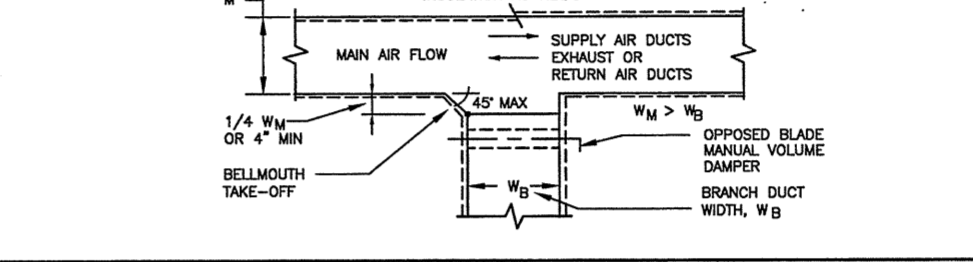
E9 DUCT TRANSITION
NOT TO SCALE



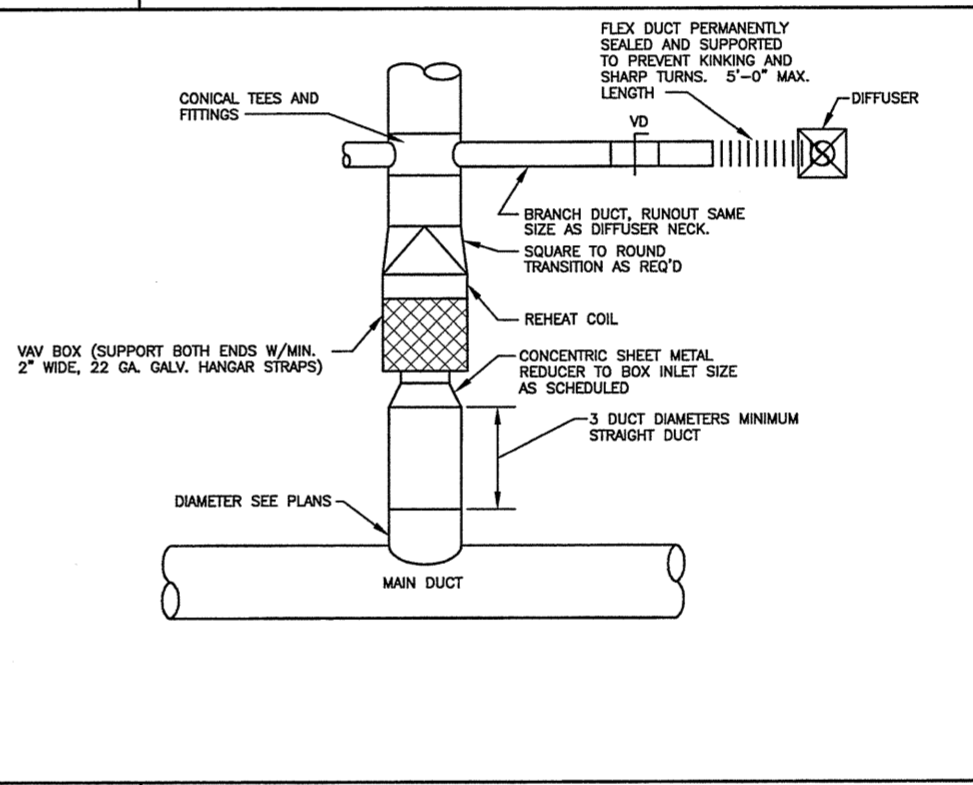
A9 LOUVER CONNECTION
NOT TO SCALE



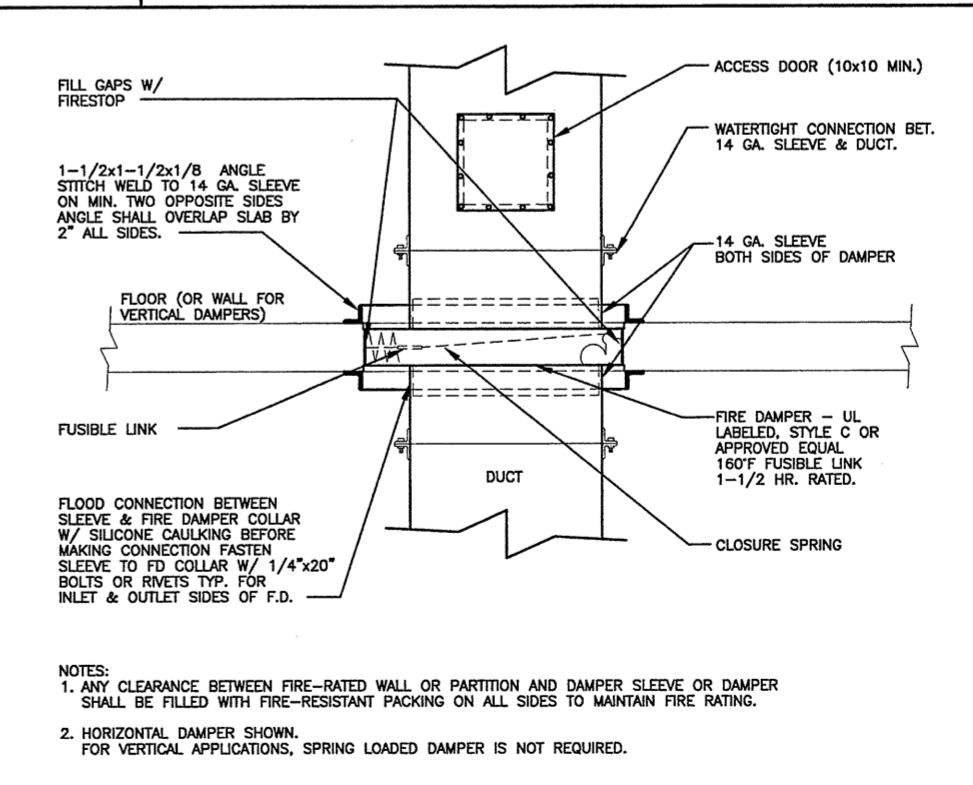
P13 INLINE FAN SUPPORT
NOT TO SCALE



F13 VAV BOX SCHEMATIC
NOT TO SCALE



F13 VAV BOX SCHEMATIC
NOT TO SCALE

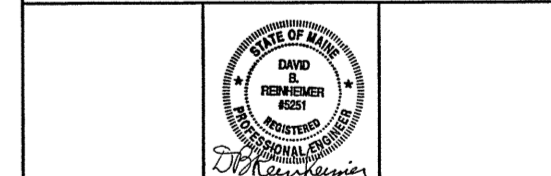


A13 FIRE DAMPER DETAILS
NOT TO SCALE

NOTE:
1. SEE SHEET M-001 FOR LEGEND AND ABBREVIATIONS.

0	ISSUED FOR CONSTRUCTION	10-23-03
REV.	DESCRIPTION	DATE

ISSUED FOR CONSTRUCTION
10-23-03



SMRT ARCHITECTURE ENGINEERING PLANNING
SMRT
144 Fore Street, P.O. Box 618
Portland, Maine 04104
tel. (207) 772-3846
fax. (207) 772-1070

THE GULF OF MAINE RESEARCH INSTITUTE
PORTLAND, MAINE

DETAILS

SHEET TITLE:	NOT TO SCALE	DATE:	10-23-03
SCALE:	NOT TO SCALE	GRAPHIC SCALE:	0' 1"
PROJECT MANAGER:	DRL		
JOB CAP/DRAWN:	SDL/CAH		
A/E OF RECORD:	DBR	SHEET No.	
SMRT CAD FILE:	M-501-03034		
PROJECT No.	03034		

M-501