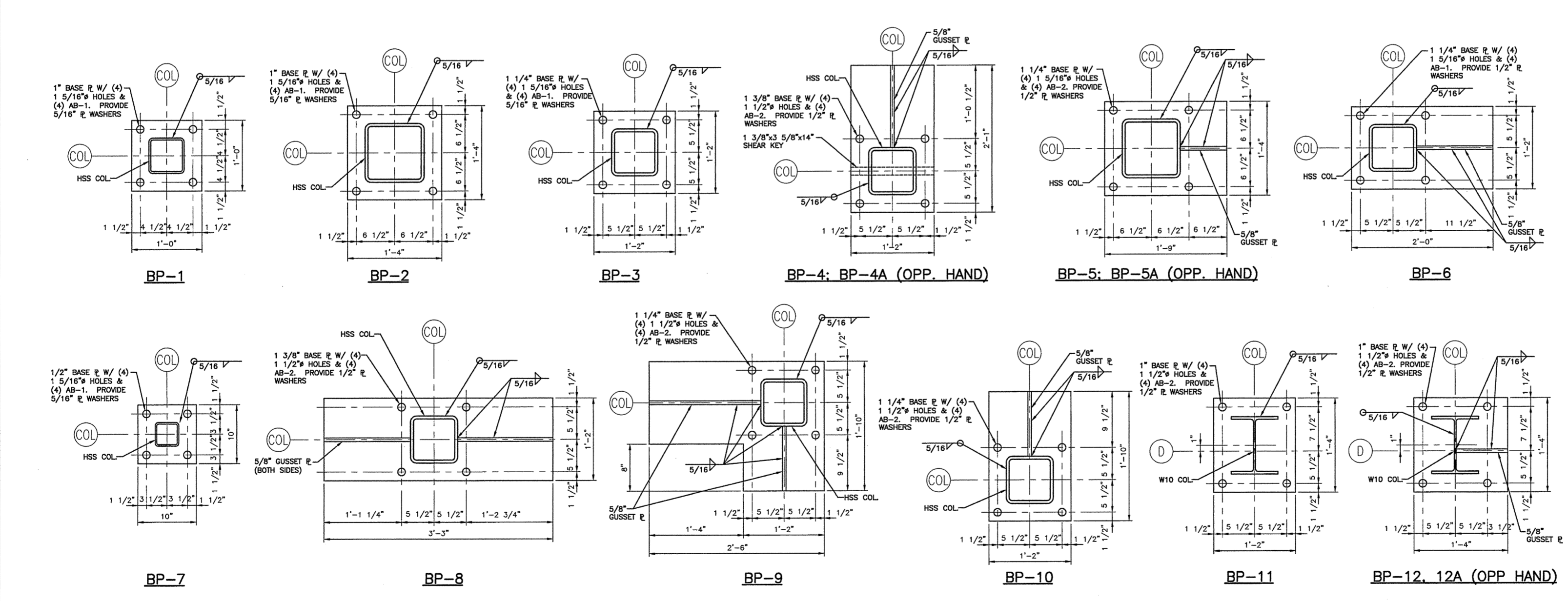


GENERAL NOTES:
 1. SEE S0001 FOR STRUCTURAL GENERAL NOTES.
 2. UNDERSIDE OF BASE PLATE ELEVATION IS +98'-7" UNLESS NOTED OTHERWISE.

J1 COLUMN LAYOUT PLAN
 1/8"=1'-0"



A1 BASEPLATE DETAILS
 1 1/2"=1'-0"

0	ISSUED FOR CONSTRUCTION	8-26-03
REV.	DESCRIPTION	DATE
ISSUED FOR CONSTRUCTION		
8-26-03		
CURRENT ISSUE STATUS:		
PROJECT NORTH		
SMRT ARCHITECTURE ENGINEERING PLANNING 144 Fore Street P.O. Box 618 Portland, Maine 04104 tel. (207) 772-3846 fax. (207) 772-1070		
THE GULF OF MAINE RESEARCH INSTITUTE PORTLAND, MAINE		
COLUMN LAYOUT PLAN & BASEPLATE DETAILS		
SHEET TITLE:	AS NOTED	DATE: 8-26-03
SCALE:	DRL	GRAPHIC SCALE: 0" = 1'
PROJECT MANAGER:	SDL/TCM	
JOB CAP/DRAWN:	ADB	SHEET No.
A/E OF RECORD:	SF601-03034	SF601
SMRT CAD FILE:	03034	
PROJECT No.		