

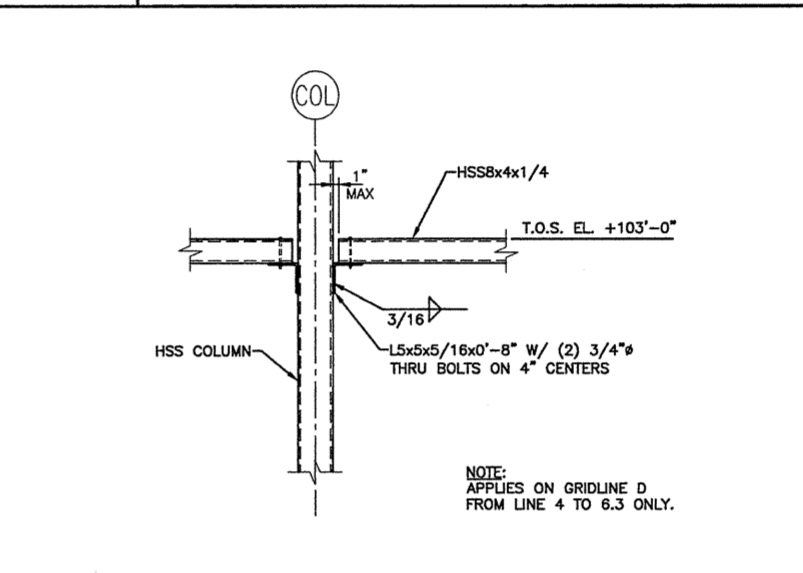
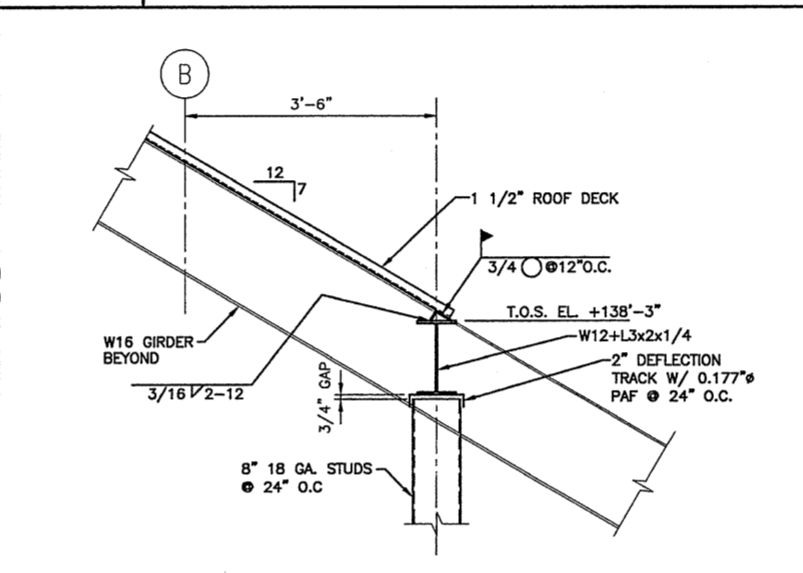
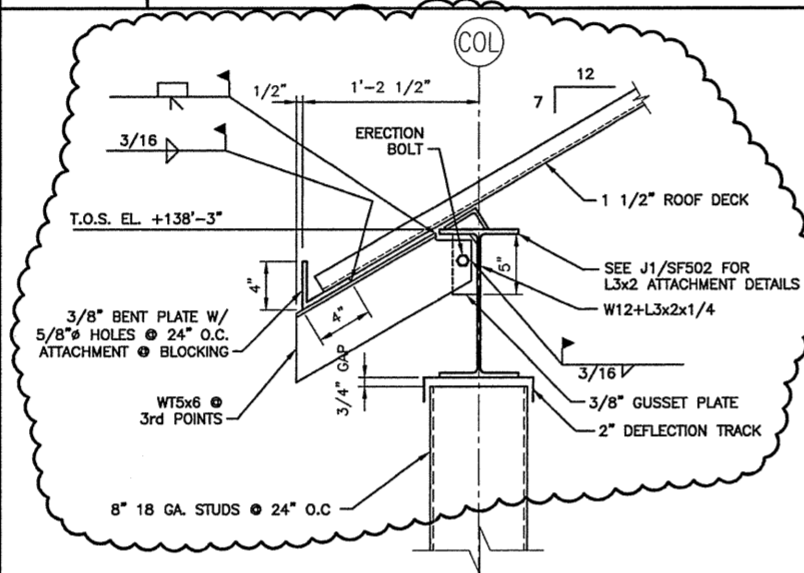
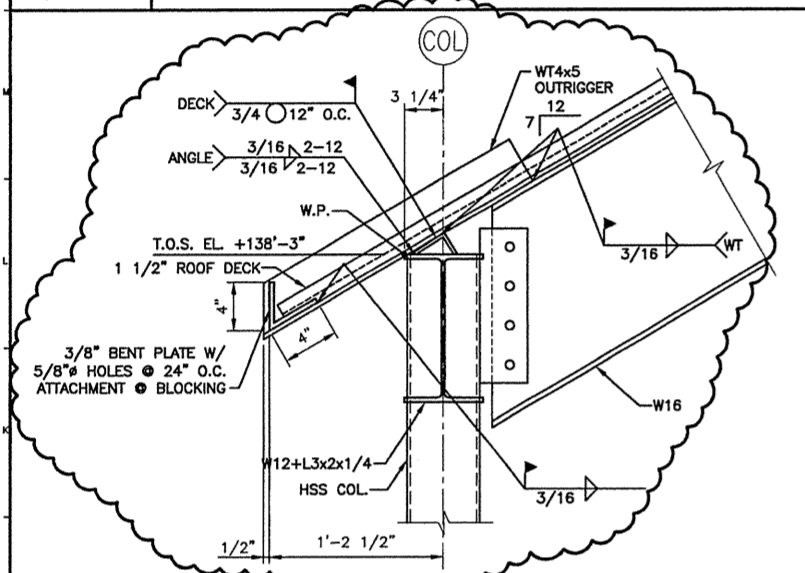
GENERAL NOTES:
1. SEE S0001 FOR STRUCTURAL GENERAL NOTES.

N1 SECTION
3/4"=1'-0"

N5 SECTION
3/4"=1'-0"

N9 SECTION
3/4"=1'-0"

N14 DUCT OPNG. IN BEAM SECTION
1 1/2"=1'-0"

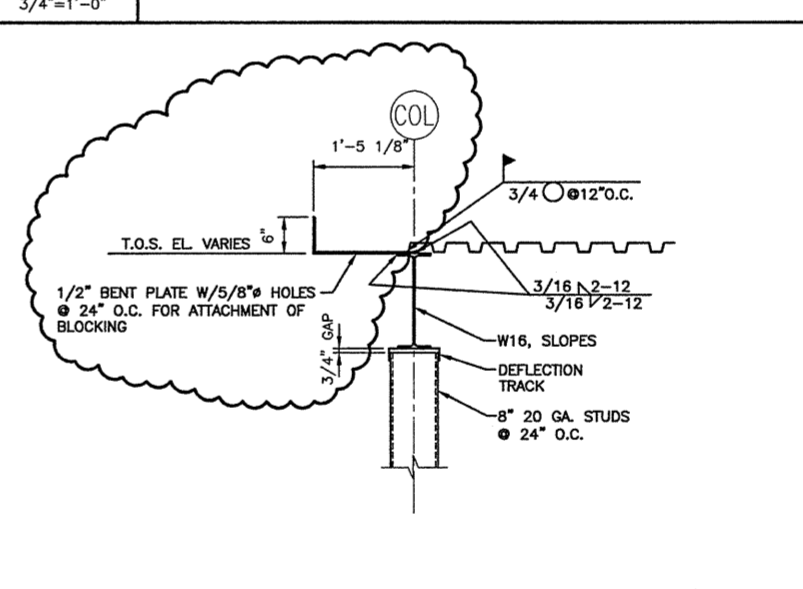
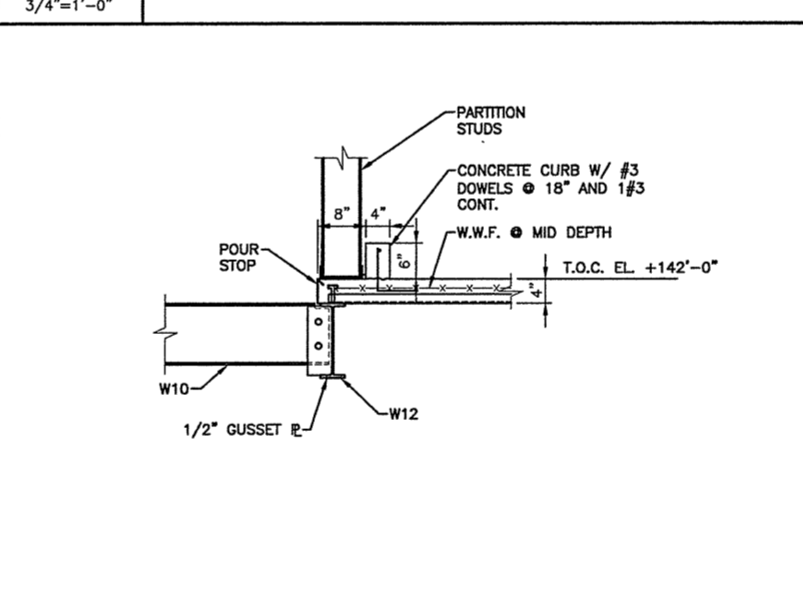
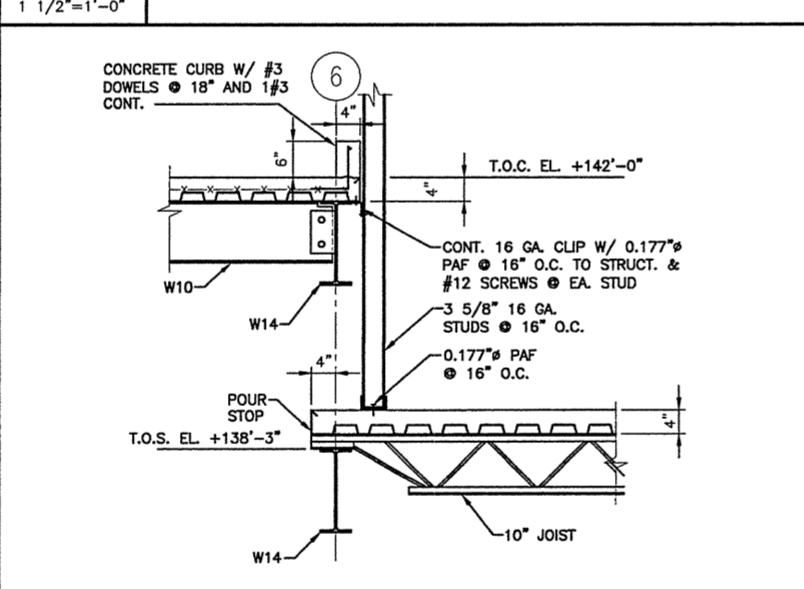
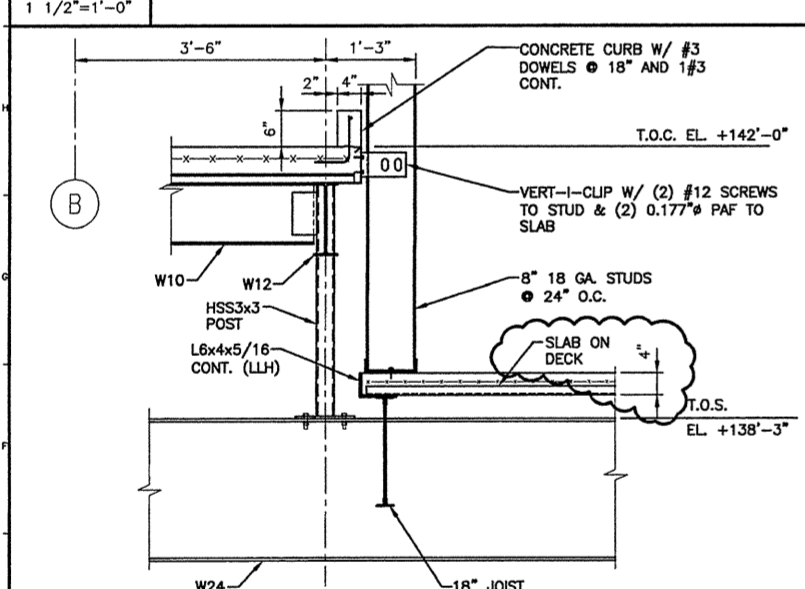


J1 SECTION
1 1/2"=1'-0"

J5 SECTION
1 1/2"=1'-0"

J9 SECTION
3/4"=1'-0"

J14 SECTION
3/4"=1'-0"

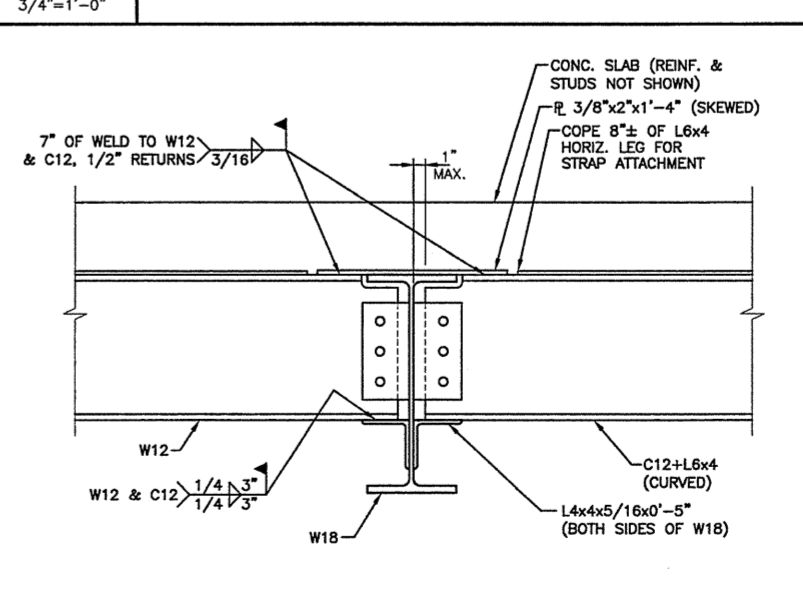
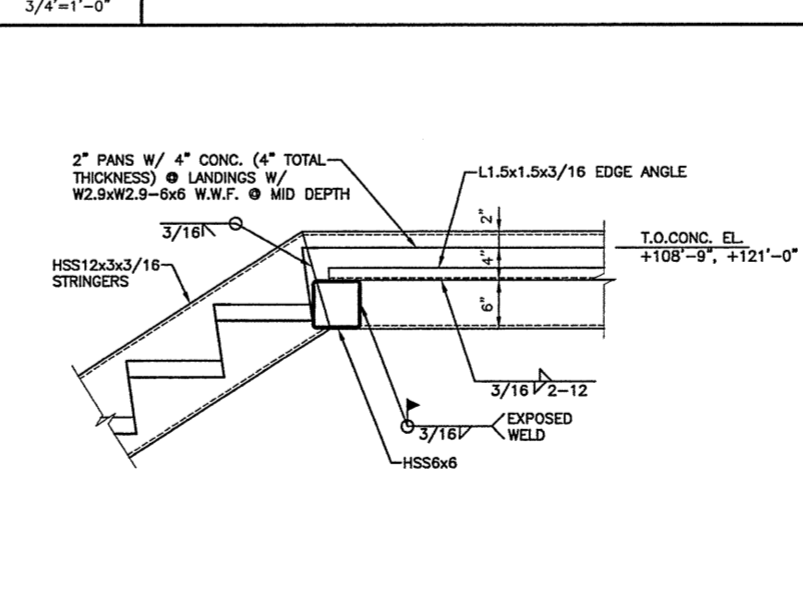
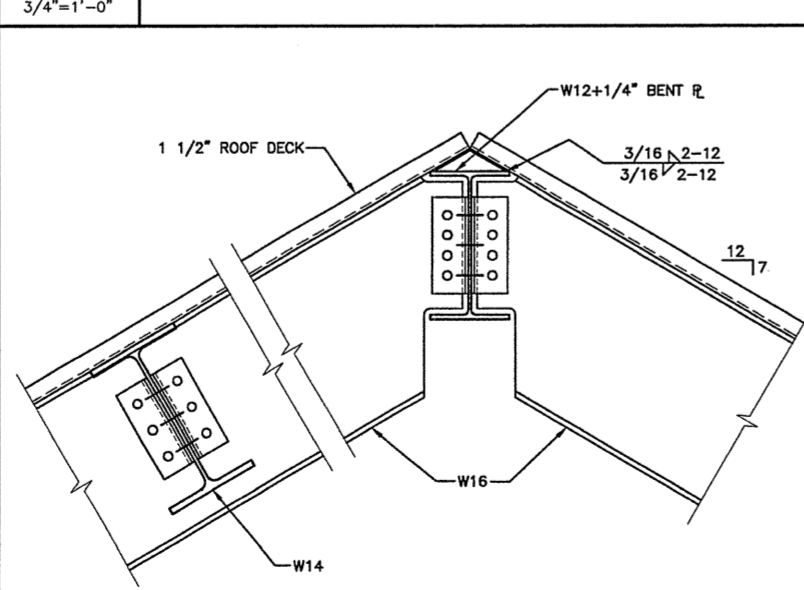
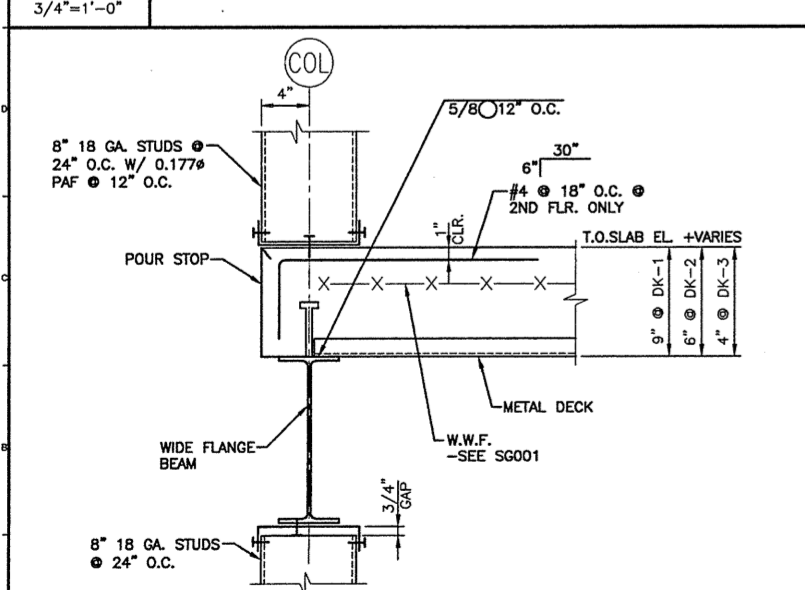


E1 SECTION
3/4"=1'-0"

E5 SECTION
3/4"=1'-0"

E9 SECTION
3/4"=1'-0"

E14 SECTION
3/4"=1'-0"



A1 SECTION
1 1/2"=1'-0"

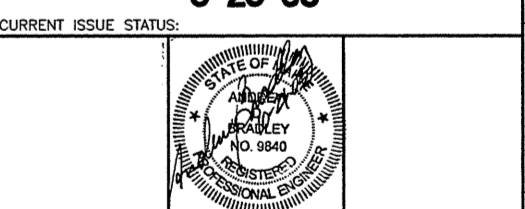
A5 SECTION
1 1/2"=1'-0"

A9 SECTION
1"=1'-0"

A14 SECTION
1 1/2"=1'-0"

1	ISSUED FOR ADDENDUM 2	9-25-03
0	ISSUED FOR CONSTRUCTION	8-26-03
REV.	DESCRIPTION	DATE

ISSUED FOR ADDENDUM 2
9-25-03



SMRT
ARCHITECTURE ENGINEERING PLANNING
144 Fore Street/P.O. Box 618
Portland, Maine 04104
tel. (207) 772-3846
fax. (207) 772-1070

THE GULF OF MAINE RESEARCH INSTITUTE
PORTLAND, MAINE

FRAMING SECTIONS AND DETAILS

SHEET TITLE:	AS NOTED	DATE:	8-26-03
SCALE:	DRL	GRAPHIC SCALE:	0"=1'
PROJECT MANAGER:	SDL/TCM	A/E OF RECORD:	ADB
JOB CAP/DRAWN:	SDL/TCM	SMRT CAD FILE:	SF502-03034
PROJECT No.:	03034	SHEET No.:	SF502