

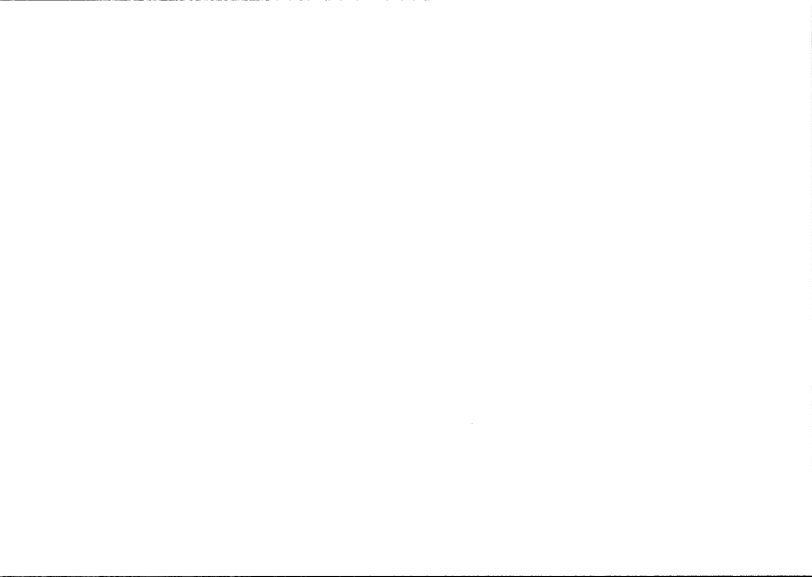
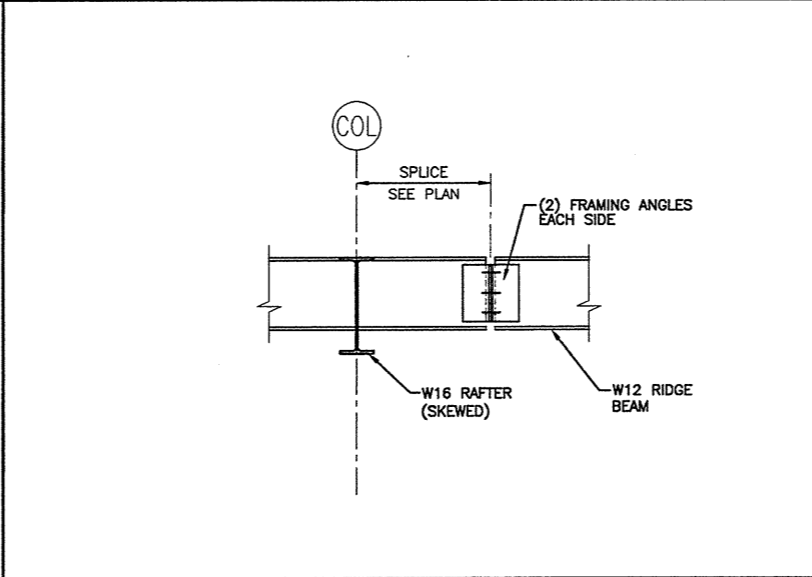
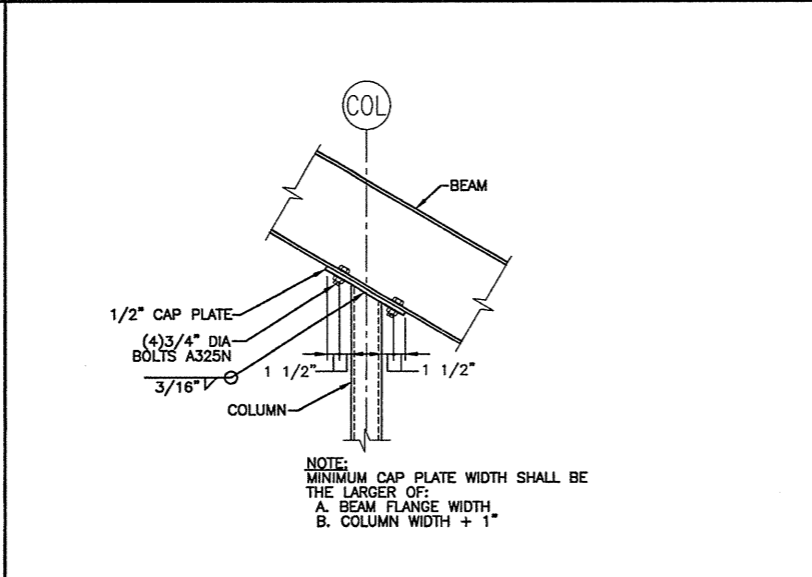
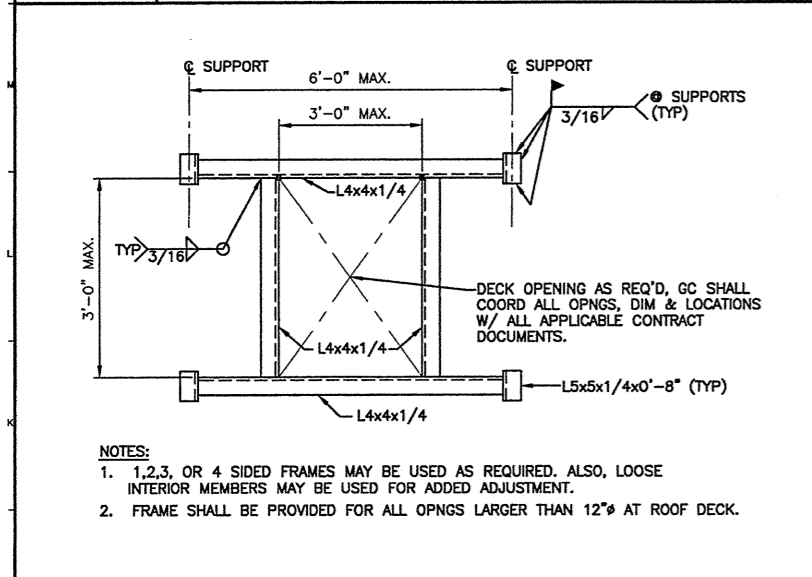
GENERAL NOTES:
 1. SEE SG001 FOR STRUCTURAL GENERAL NOTES.

N1 TYP ROOF DECK ATTACHMENT DETAIL U.N.O.
 N.T.S. SEE DECK NOTES ON DWG SG001

N5 TYP ROOF DECK REINFORCEMENT DETAIL
 N.T.S.

N9 -
 N.T.S.

N14 -
 N.T.S.

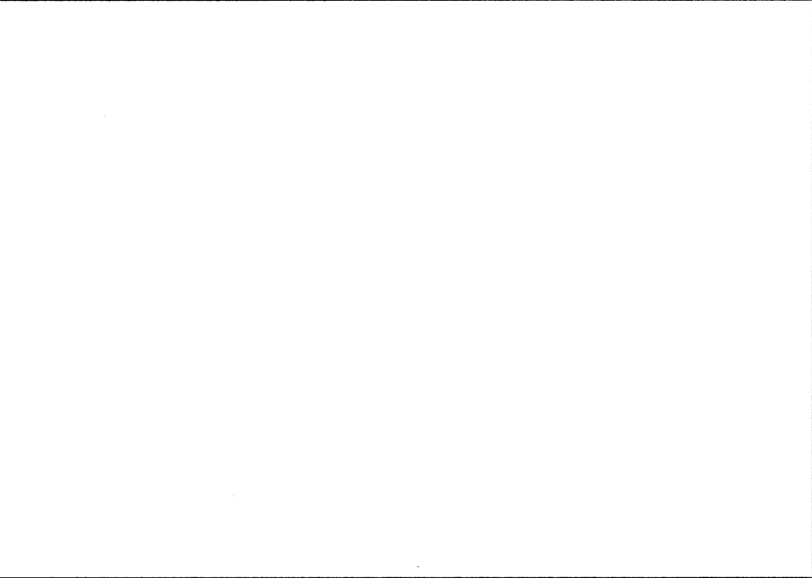
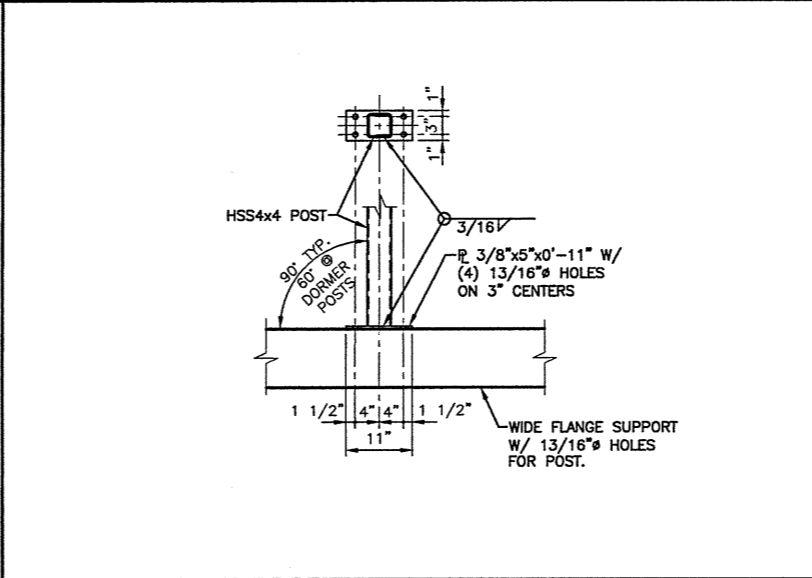
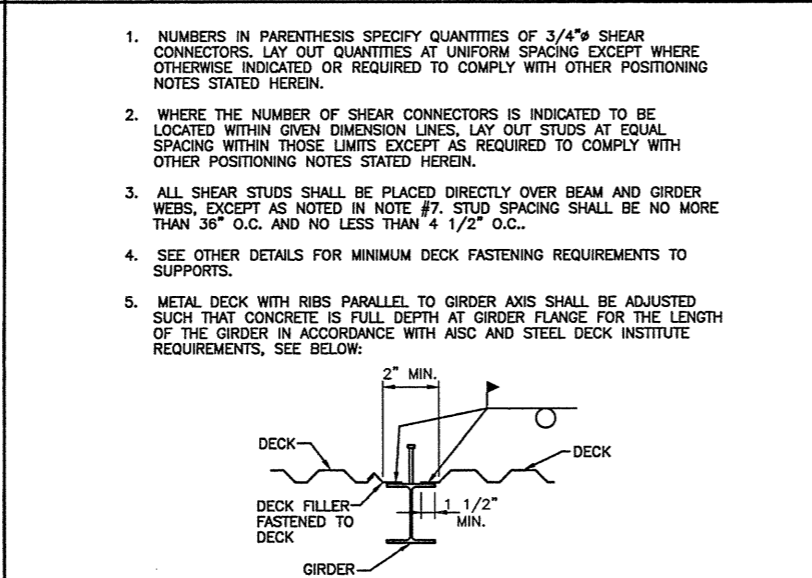
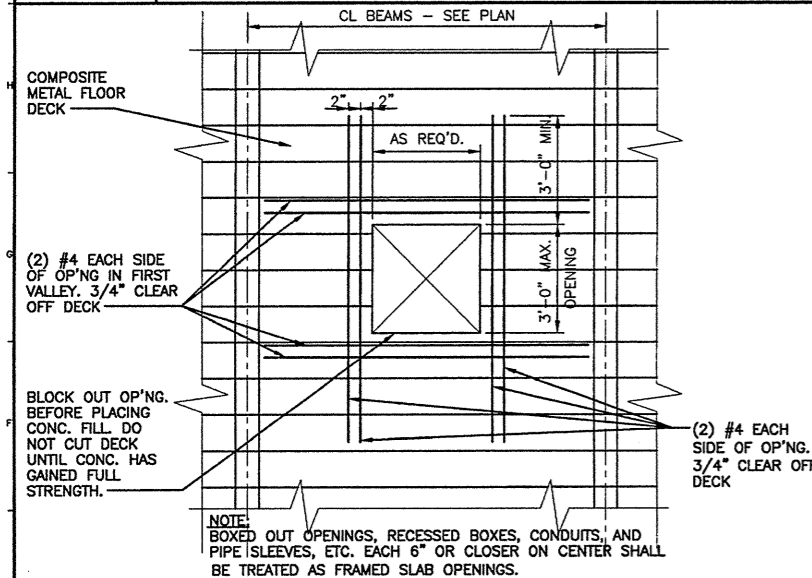


J1 TYPICAL DECK OPENING FRAME
 3/4\"/>

J5 TYP BEAM FRAMED OVER COLUMN DETAIL
 3/4\"/>

J9 TYPICAL BEAM SPLICE DETAIL
 3/4\"/>

J14 -
 N.T.S.



0	ISSUED FOR CONSTRUCTION	8-26-03
REV.	DESCRIPTION	DATE

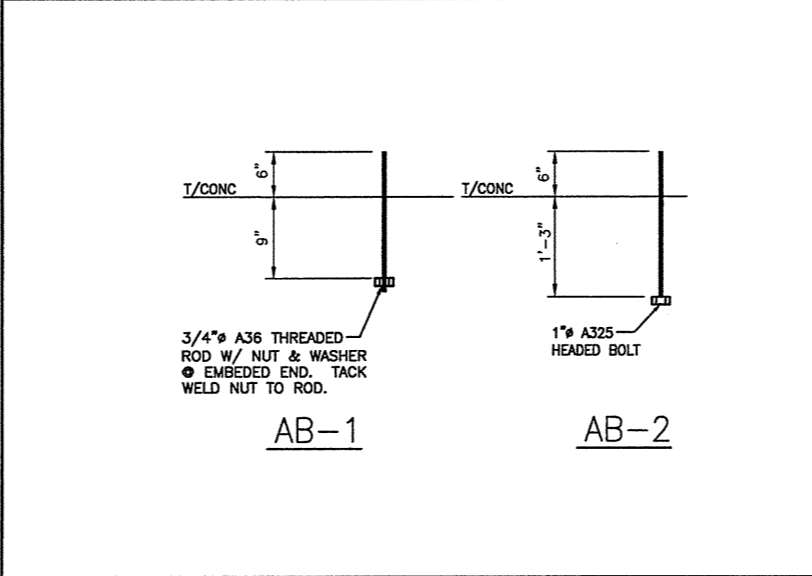
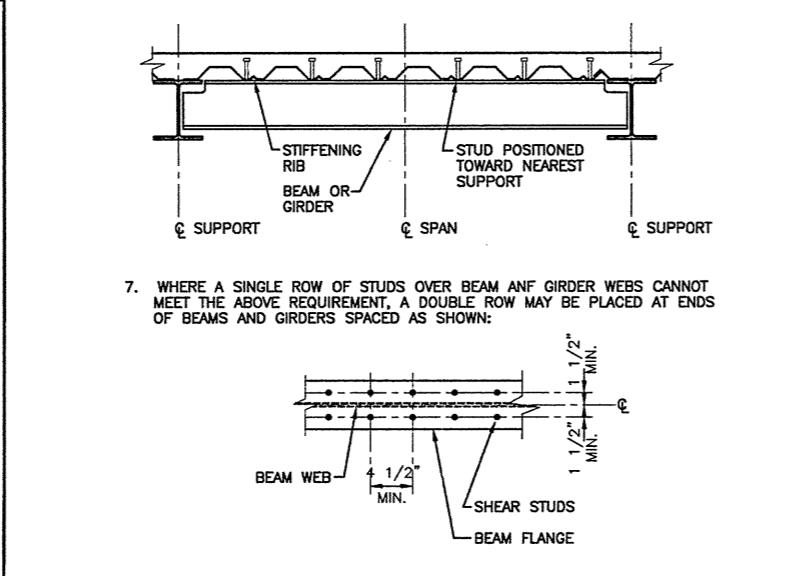
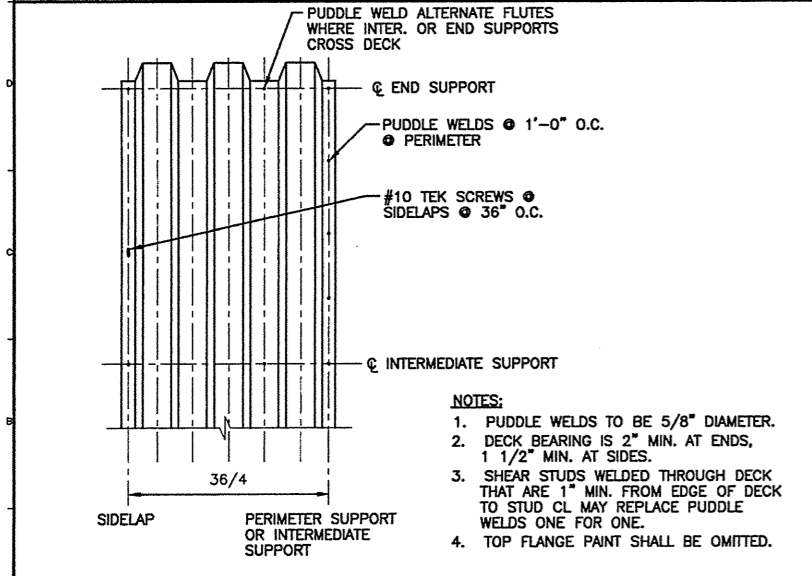
E1 TYP UNFRAMED OPNG IN CONCRETE DECK
 3/4\"/>

E9 TYPICAL POST BASEPLATE
 3/4\"/>

E14 -
 N.T.S.

E14 -
 N.T.S.

ISSUED FOR CONSTRUCTION
8-26-03



A1 TYP FLOOR DECK ATTACHMENT DETAIL
 N.T.S.

A5 SHEAR STUD PLACEMENT REQUIREMENTS
 N.T.S.

A9 TYPICAL ANCHOR BOLT DETAIL
 N.T.S.

A14 -
 N.T.S.

ARCHITECTURE ENGINEERING PLANNING

SMRT

144 Fore Street P.O. Box 618
 Portland, Maine 04104
 tel. (207) 772-3846
 fax. (207) 772-1070

THE GULF OF MAINE RESEARCH INSTITUTE
 PORTLAND, MAINE

PROJECT: **TYPICAL FRAMING SECTIONS AND DETAILS**

SHEET TITLE: AS NOTED DATE: 8-26-03
 PROJECT MANAGER: DRL GRAPHIC SCALE: 0" = 1"
 JOB CAP/DRAWN: SOL/TCM
 A/E OF RECORD: ADB SHEET No.
 SMRT CAD FILE: SF501-03034
 PROJECT No. 03034

SF501