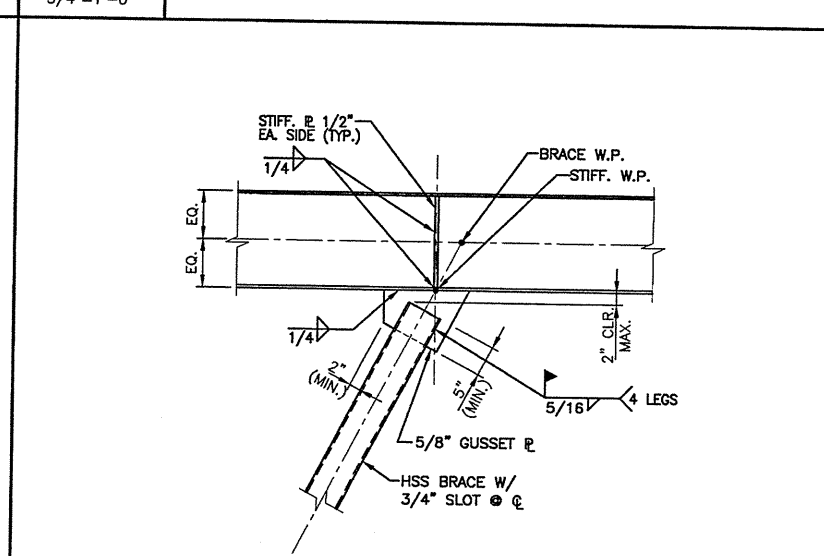
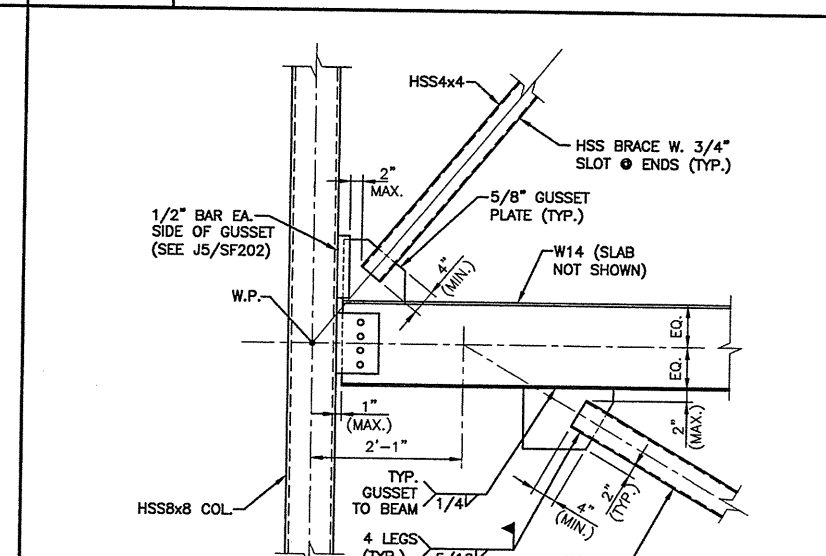
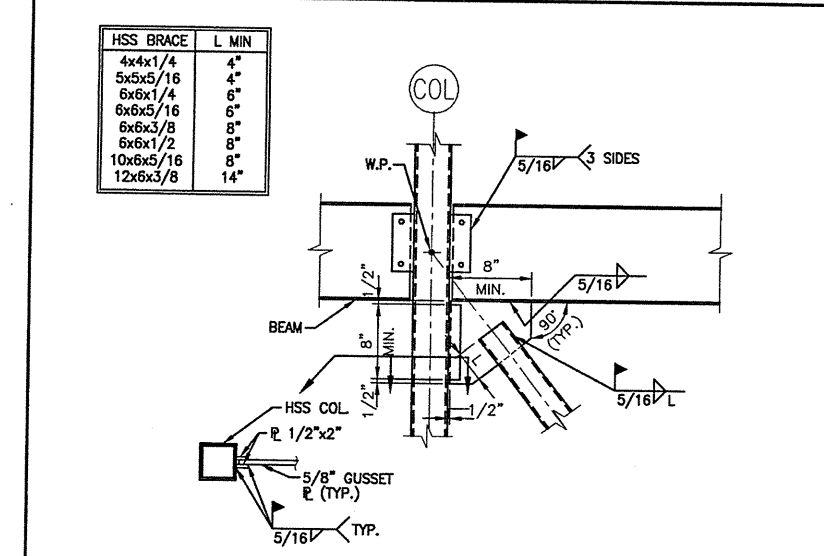
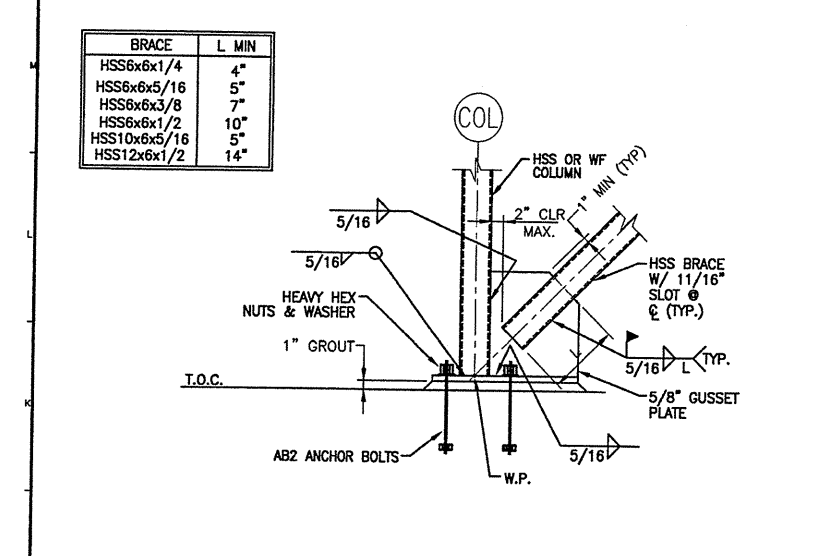


N1 BRACING DETAIL 3/4"=1'-0"
 N5 BRACING DETAIL 3/4"=1'-0"
 N9 TYPICAL BRACING DETAIL 3/4"=1'-0"
 N14 TYPICAL BRACING DETAIL 3/4"=1'-0"

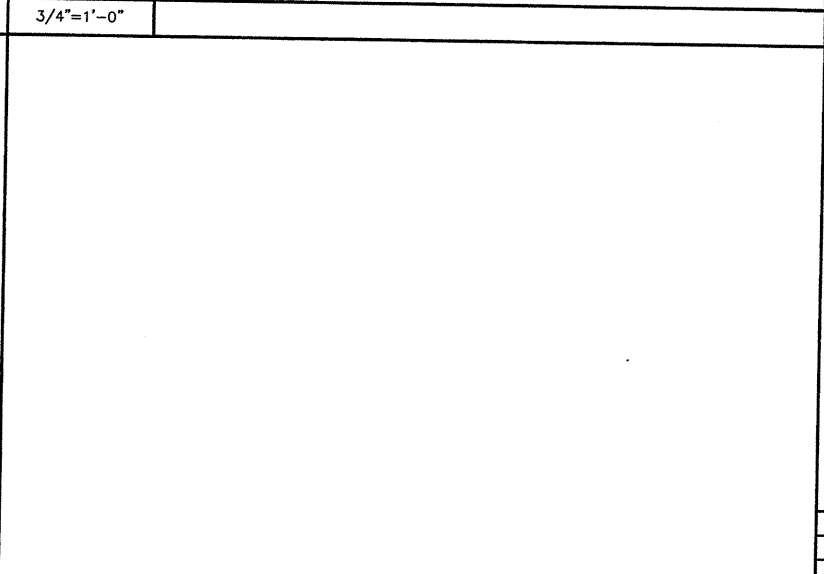
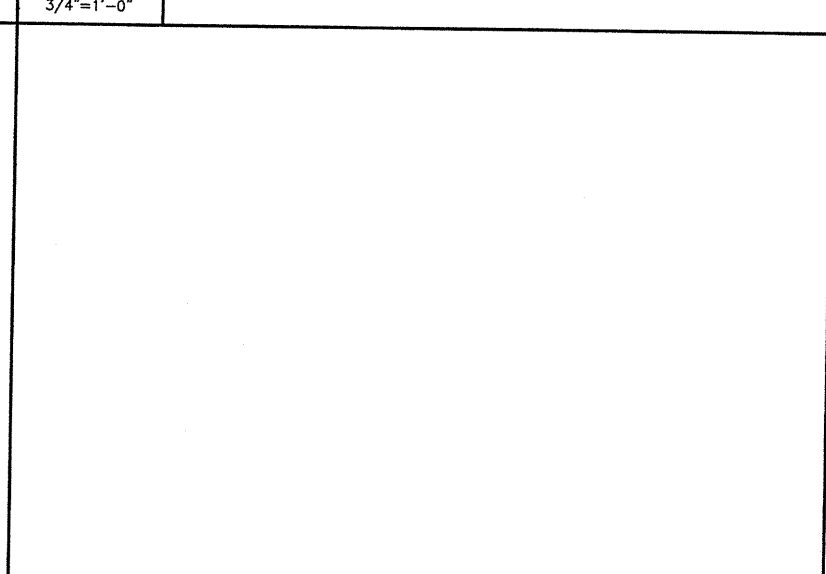
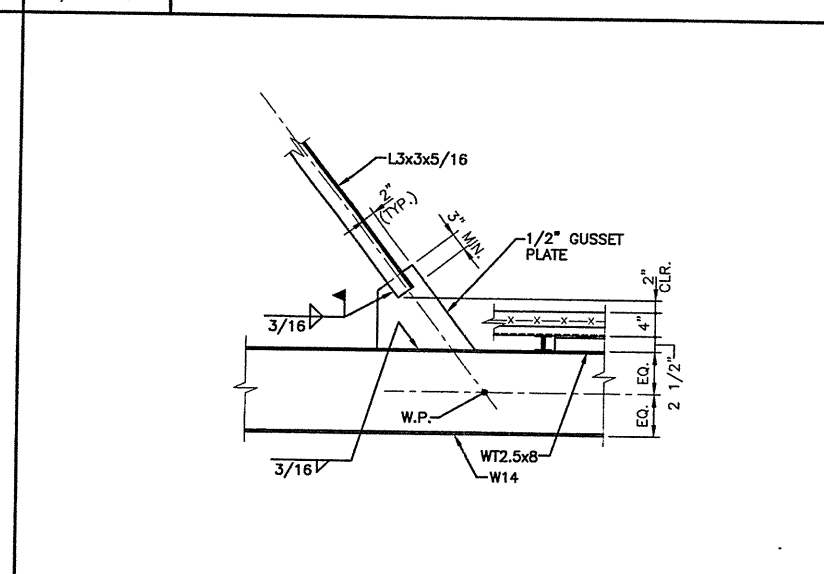
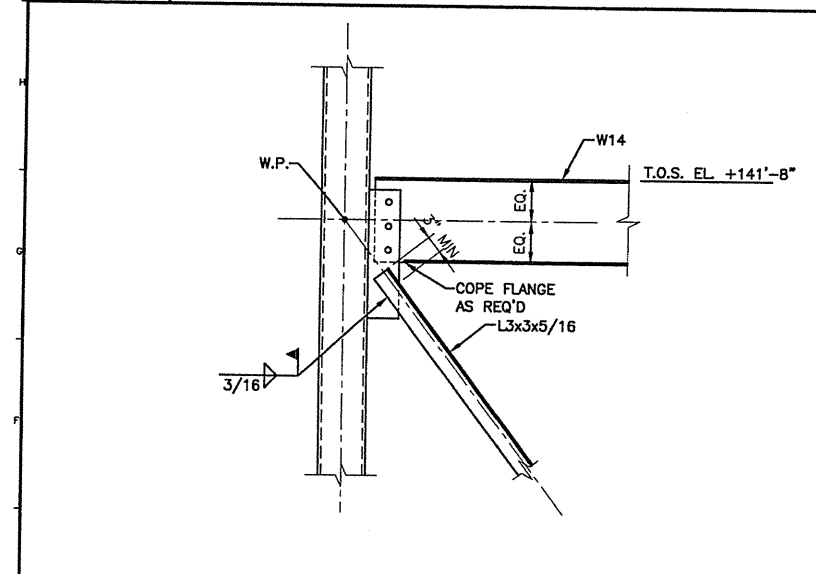


J1 BRACING DETAIL 3/4"=1'-0"

J5 BRACING DETAIL 3/4"=1'-0"

J9 BRACING DETAIL 3/4"=1'-0"

J14 BRACING DETAIL 3/4"=1'-0"

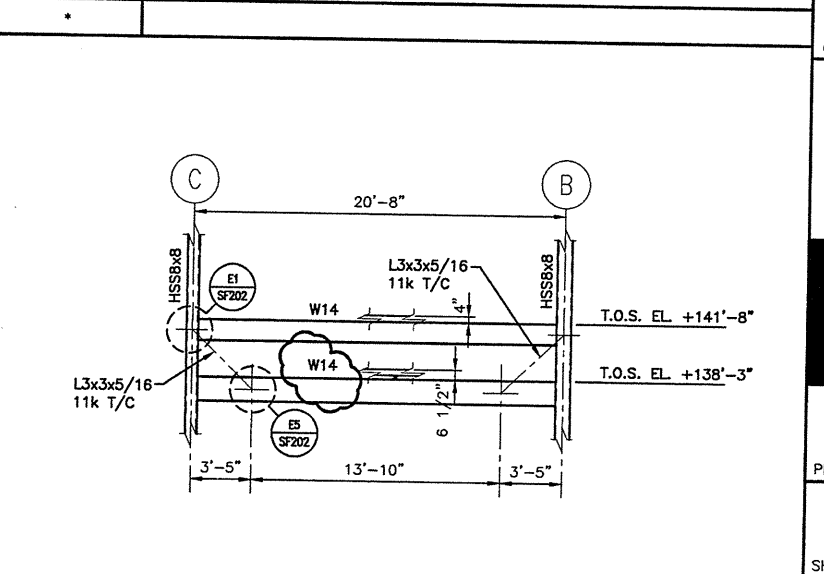
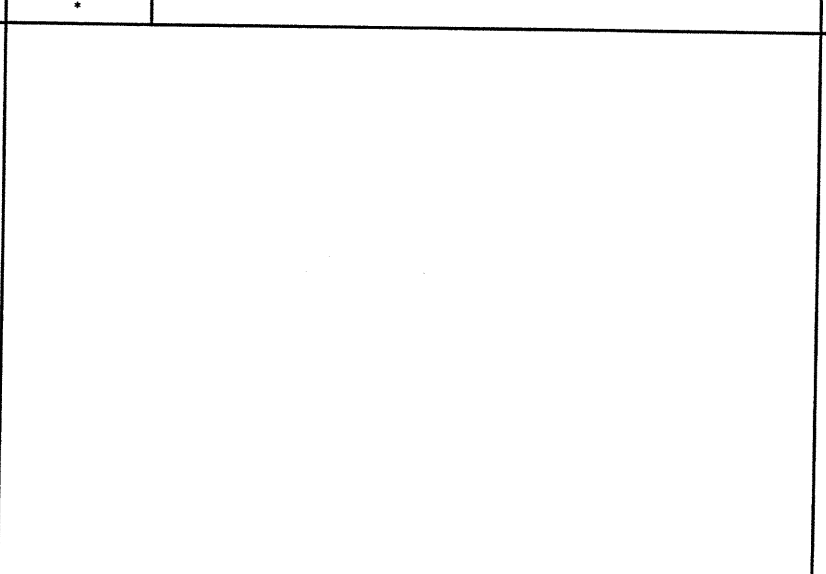
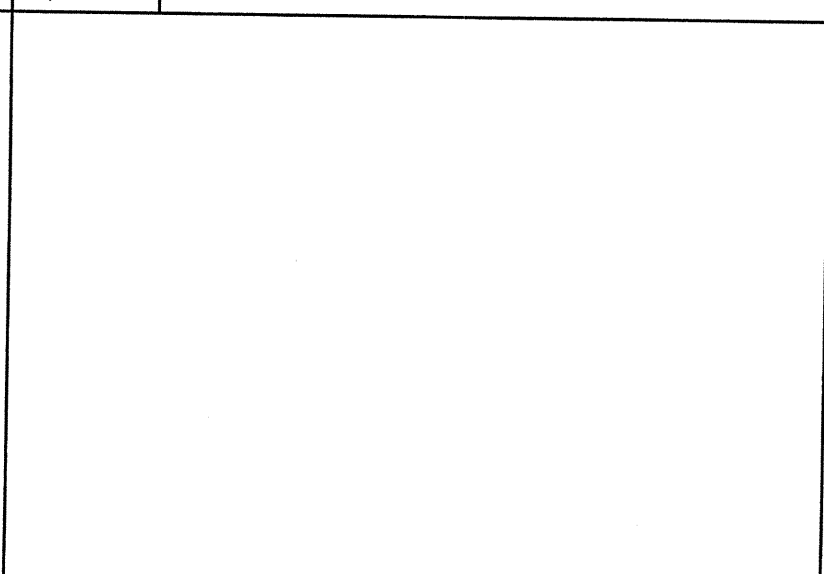
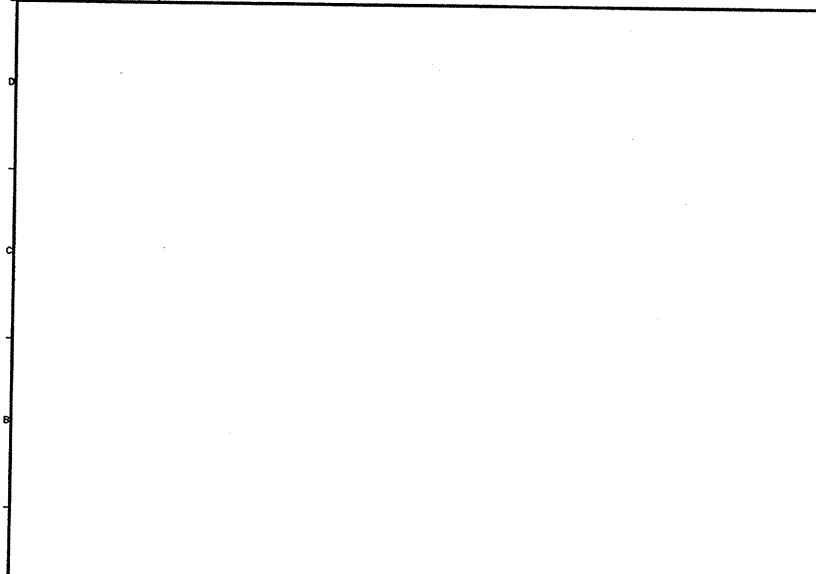


E1 BRACING DETAIL 3/4"=1'-0"

E5 BRACING DETAIL 3/4"=1'-0"

E9 -

E14 -



A1 -

A5 -

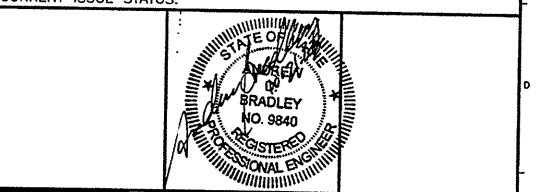
A9 -

A14 BRACING ELEVATION ALONG COL. LINE 6 3/16"=1'-0"

GENERAL NOTES:
 1. SEE S001 FOR STRUCTURAL GENERAL NOTES.

2	ISSUED FOR ADDENDUM 3	10-23-03
1	ISSUED FOR ADDENDUM 2	9-25-03
0	ISSUED FOR CONSTRUCTION	8-26-03
REV.	DESCRIPTION	DATE

ISSUED FOR ADDENDUM 3
10-23-03



SMRT
 ARCHITECTURE ENGINEERING PLANNING
 144 Fore Street P.O. Box 618
 Portland, Maine 04104
 tel. (207) 772-3846
 fax. (207) 772-1070

THE GULF OF MAINE RESEARCH INSTITUTE
 PORTLAND, MAINE

PROJECT: **STRUCTURAL BRACING ELEVATIONS**

SHEET TITLE:	AS NOTED	DATE:	8-26-03
SCALE:	DRL	GRAPHIC SCALE:	0" = 1'
PROJECT MANAGER:	SD/TCM	SHEET No.	1
JOB CAP/DRAWN:	ADB		
A/E OF RECORD:	SF202-03034		
SMRT CAD FILE:	03034		
PROJECT No.			SF202