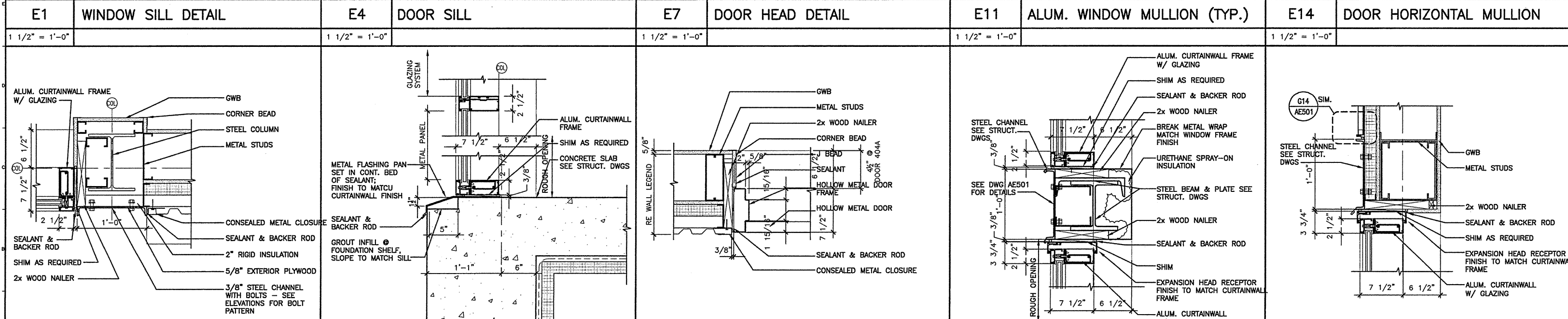
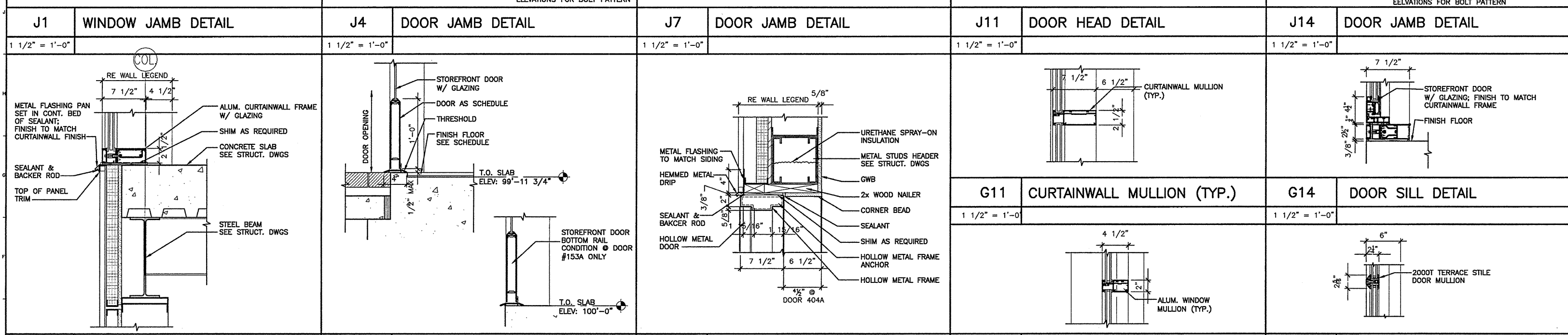
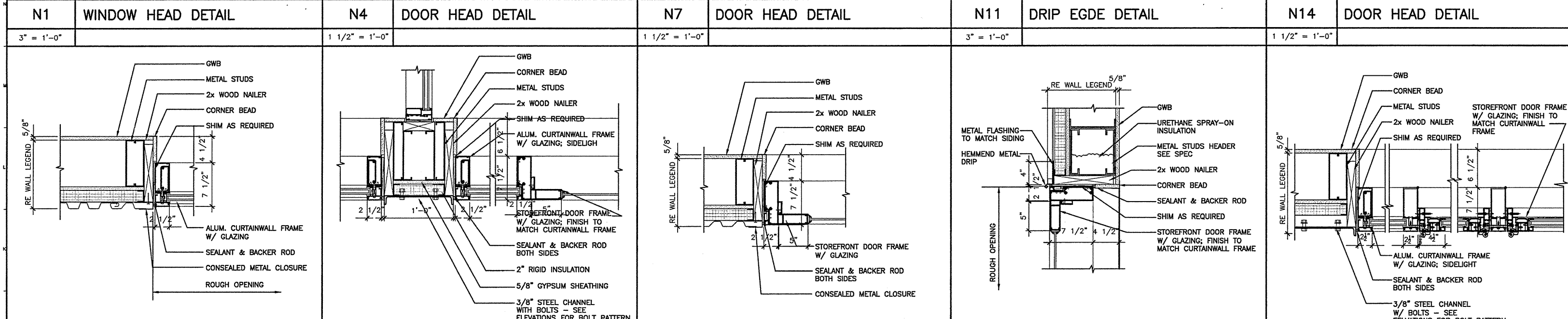


**GENERAL NOTES:**



REV.	DESCRIPTION	DATE
0	ISSUED FOR CONSTRUCTION	10-23-03

**ISSUED FOR CONSTRUCTION**  
**10-23-03**

CURRENT ISSUE STATUS:

**SMRT** ARCHITECTURE ENGINEERING PLANNING  
 SMRT  
 144 Fore Street P.O. Box 618  
 Portland, Maine 04104  
 tel. (207) 772-3846  
 fax. (207) 772-1070

**THE GULF OF MAINE RESEARCH INSTITUTE**  
 PORTLAND, MAINE

PROJECT: **EXTERIOR DOOR AND WINDOW DETAILS**

SHEET TITLE: **AE632**

SCALE: AS NOTED DATE: 10-23-03  
 PROJECT MANAGER: DRL GRAPHIC SCALE: 0" = 1'-0"  
 JOB CAP/DRAWN: SDL  
 A/E OF RECORD: PSS SHEET No.  
 SMRT CAD FILE: AE632-03034  
 PROJECT No. 03034