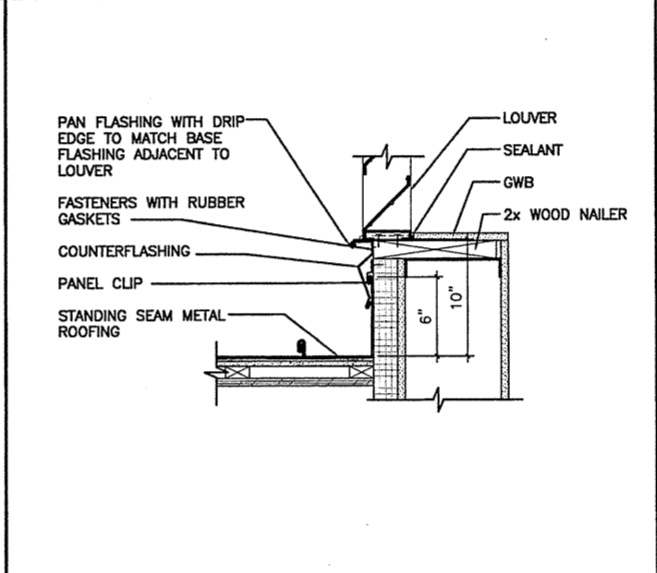
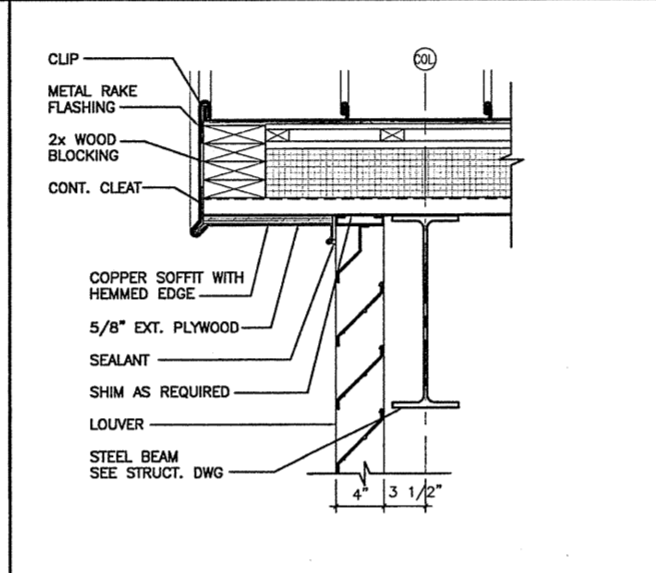
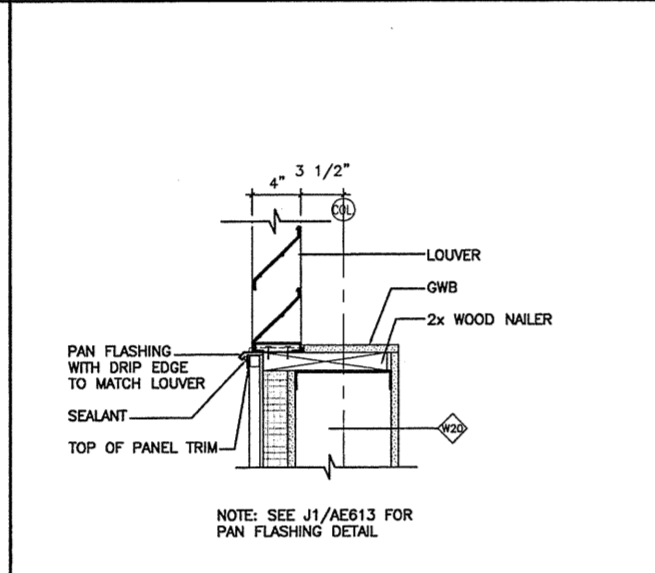
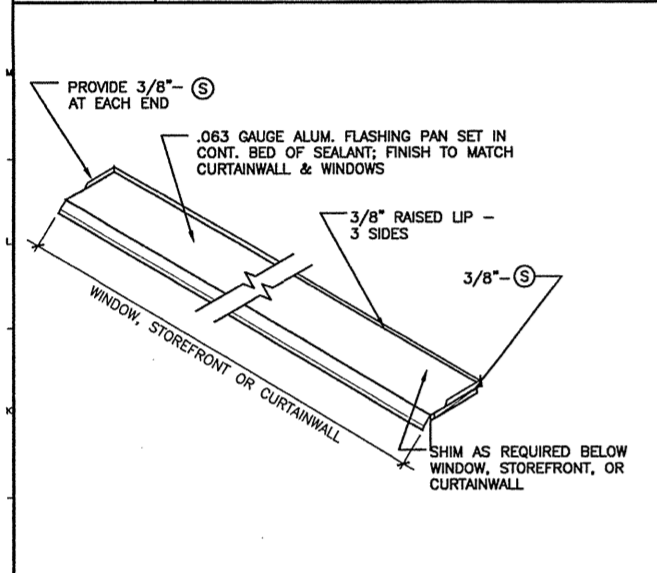
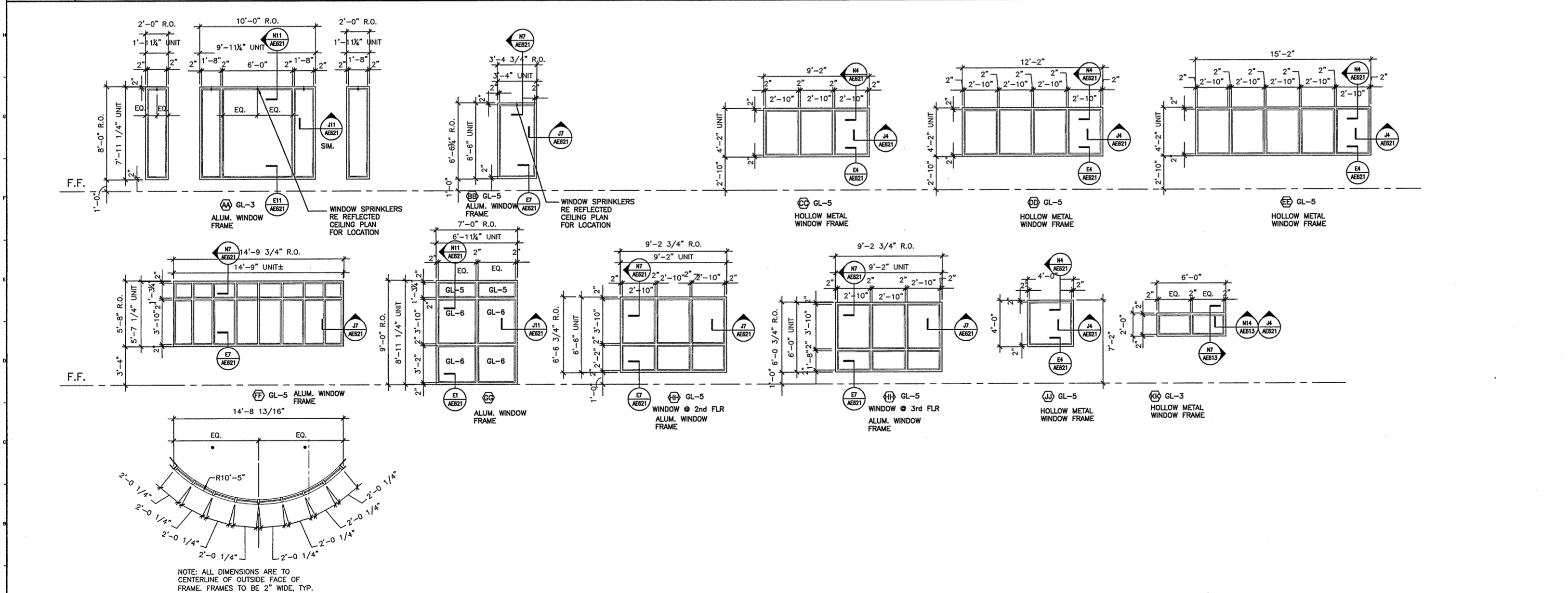


N1 H.M. DOOR HEAD DETAIL 1 1/2" = 1'-0"
 N4 H.M. DOOR JAMB DETAIL 1 1/2" = 1'-0"
 N7 H.M. WINDOW DETAIL @ SLOPED SURFACE 1 1/2" = 1'-0"
 N11 ALUM. WINDOW JAMB DETAIL 1 1/2" = 1'-0"
 N14 H.M. WINDOW DETAIL @ SLOPED SURFACE 1 1/2" = 1'-0"



J1 FLASHING PAN DETAIL 1 1/2" = 1'-0"
 J4 LOUVER SILL DETAIL 1 1/2" = 1'-0"
 J7 LOUVER HEAD DETAIL 1 1/2" = 1'-0"
 J11 LOUVER SILL DETAIL 1 1/2" = 1'-0"

GLAZING NOTES
 GL-1 TINTED INSULATED
 GL-2 TEMP INSULATED
 GL-3 ACOUSTIC INSULATED
 GL-4 METAL PANEL
 GL-5 1/4" CLEAR
 GL-6 1/4" CLEAR TEMP
 GL-7 1/4" WIRE GLASS
 REFER TO SPECIFICATIONS



A1 INTERIOR STOREFRONT WINDOW TYPES 1/4" = 1'-0"

0	ISSUED FOR CONSTRUCTION	10-23-03
REV.	DESCRIPTION	DATE
ISSUED FOR CONSTRUCTION 10-23-03		
CURRENT ISSUE STATUS:		
SMRT ARCHITECTURE ENGINEERING PLANNING 144 Fore Street, P.O. Box 618 Portland, Maine 04104 tel. (207) 772-3846 fax. (207) 772-1070		
THE GULF OF MAINE RESEARCH INSTITUTE PORTLAND, MAINE		
PROJECT:		
INTERIOR WINDOW TYPES		
SHEET TITLE:		
SCALE:	AS NOTED	DATE: 10-23-03
PROJECT MANAGER:	DRL	GRAPHIC SCALE: 0" = 1"
JOB CAP/DRAWN:	SDL	
A/E OF RECORD:	PSS	SHEET No.
SMRT CAD FILE:	AE613-03034	AE613
PROJECT No.	03034	