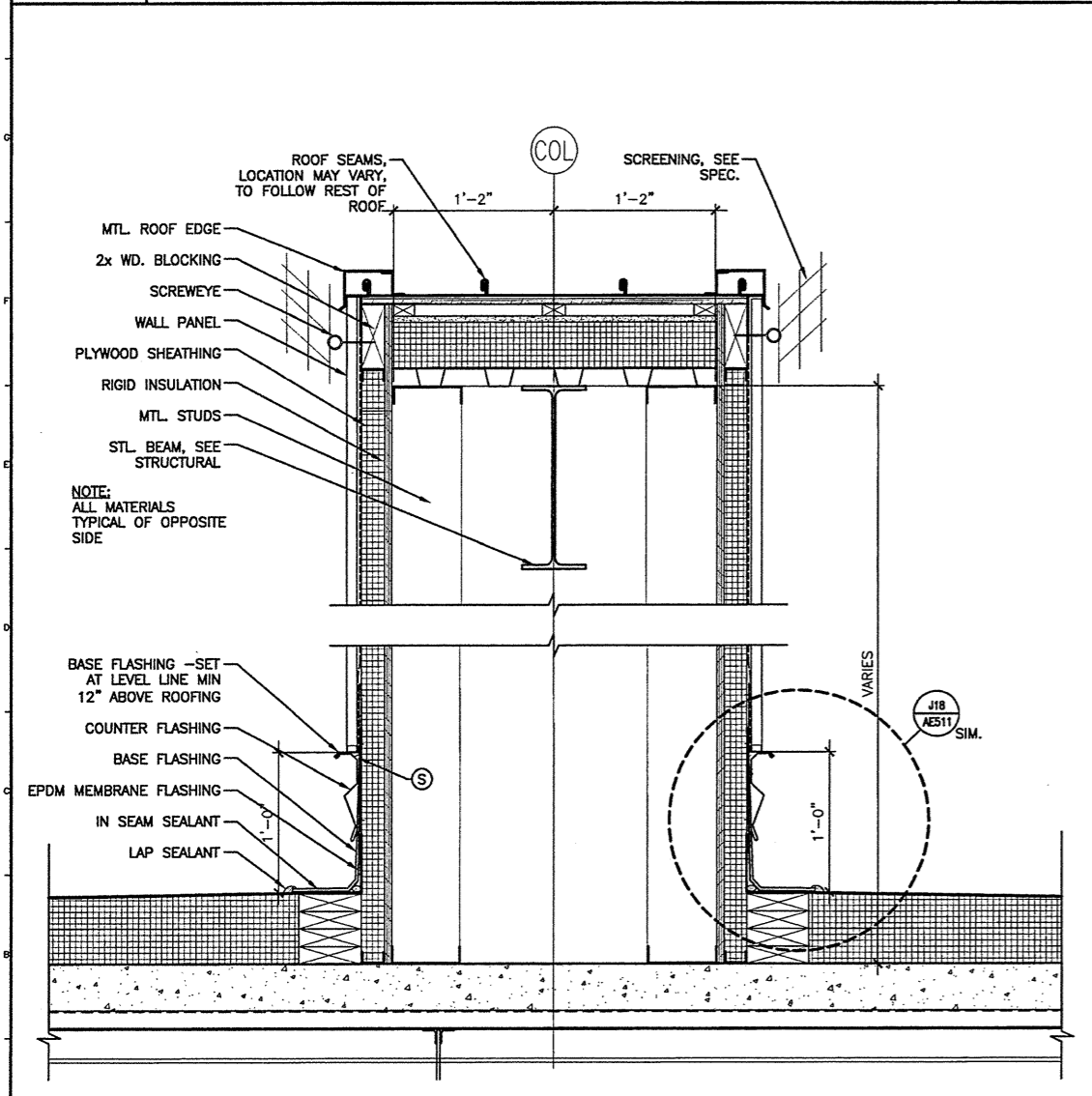
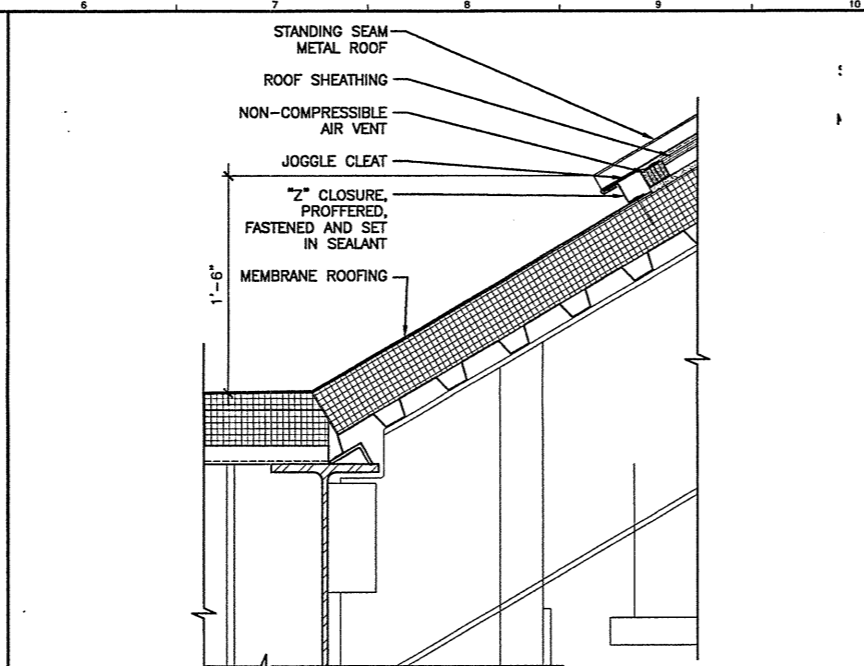


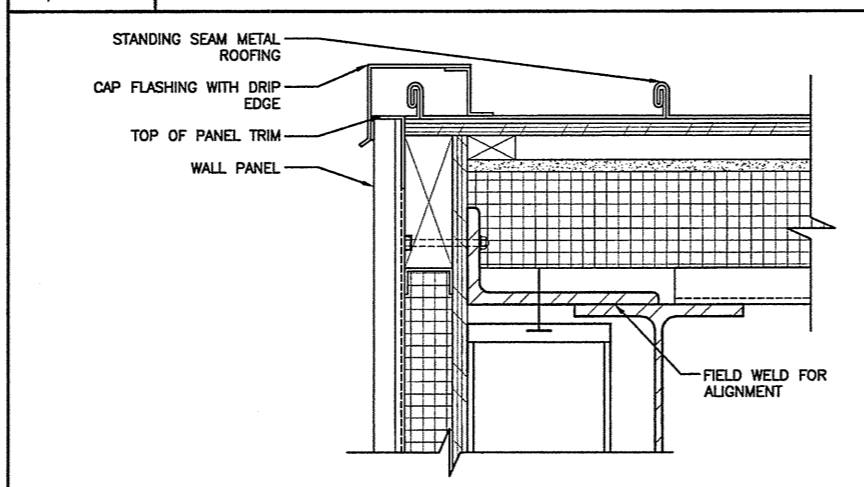
H1 ROOF DETAIL
1-1/2" = 1'-0" AE120



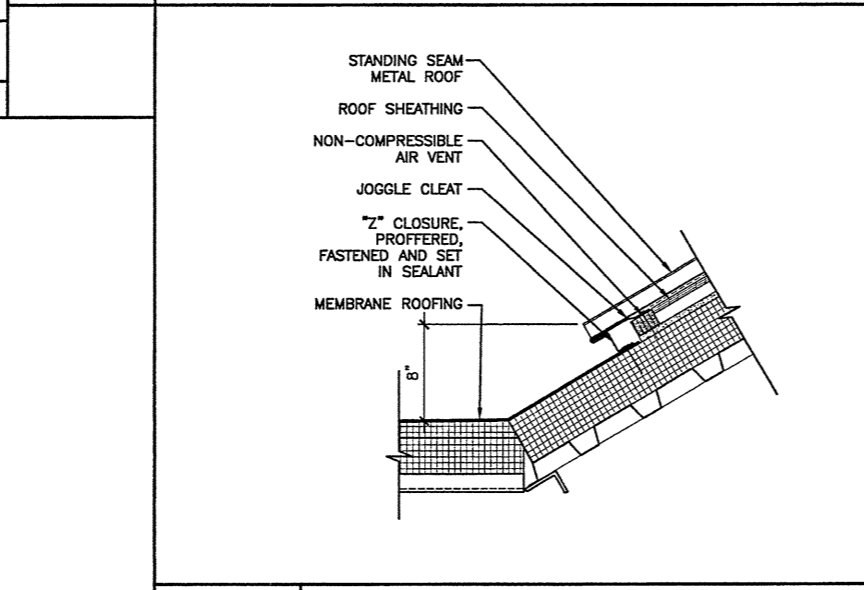
A1 DETAIL
1-1/2" = 1'-0" AE120



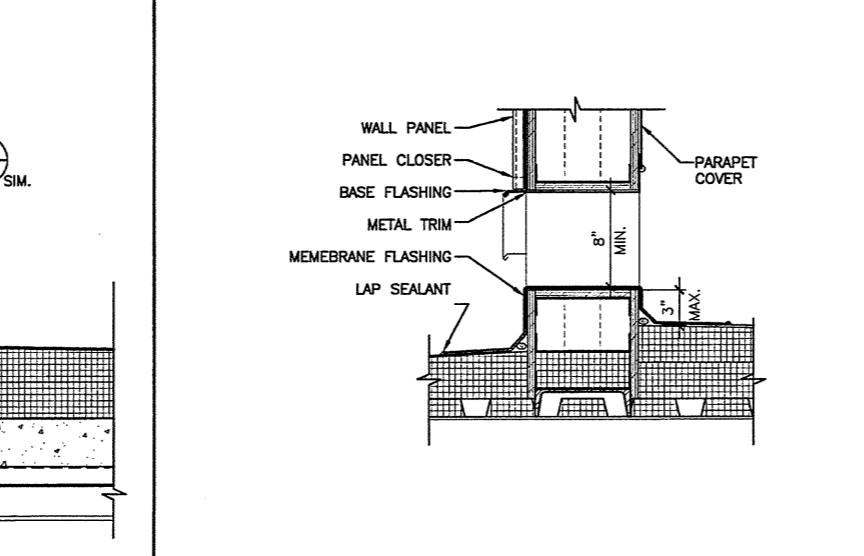
N7 ROOF DETAIL
1-1/2" = 1'-0" AE120



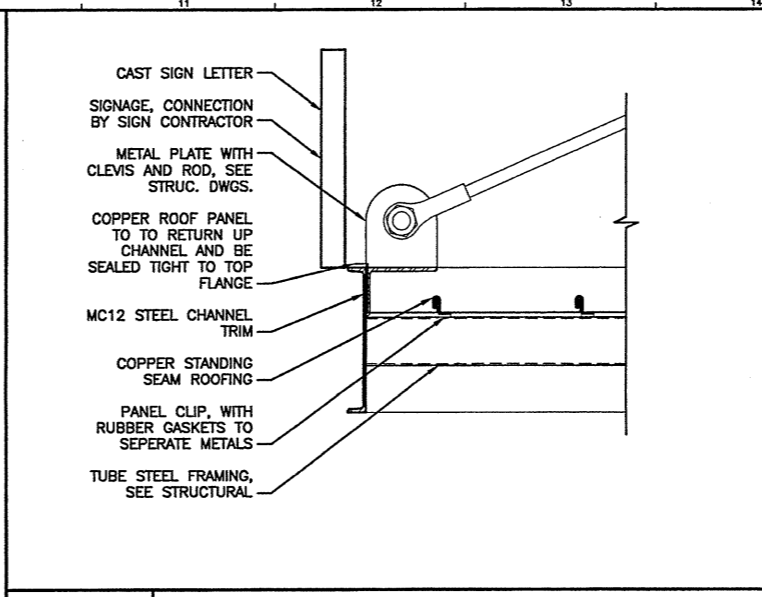
J7 ROOF DETAIL
1-1/2" = 1'-0" AE120



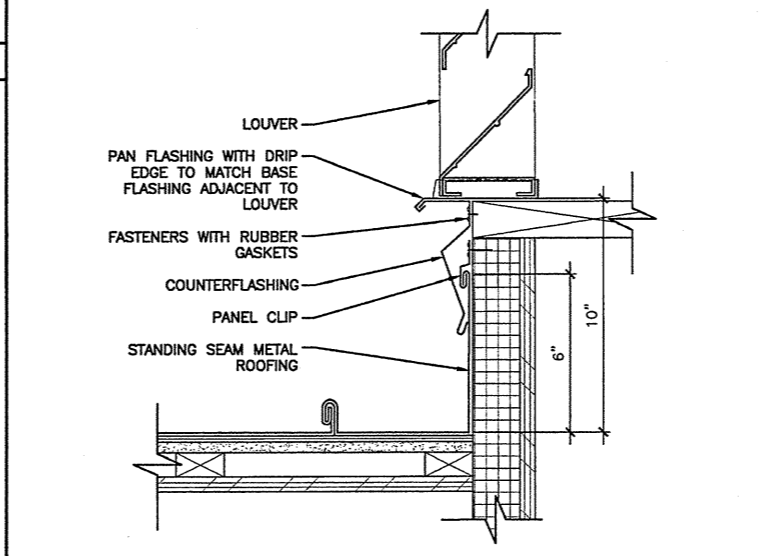
E7 ROOF DETAIL
1-1/2" = 1'-0" AE120



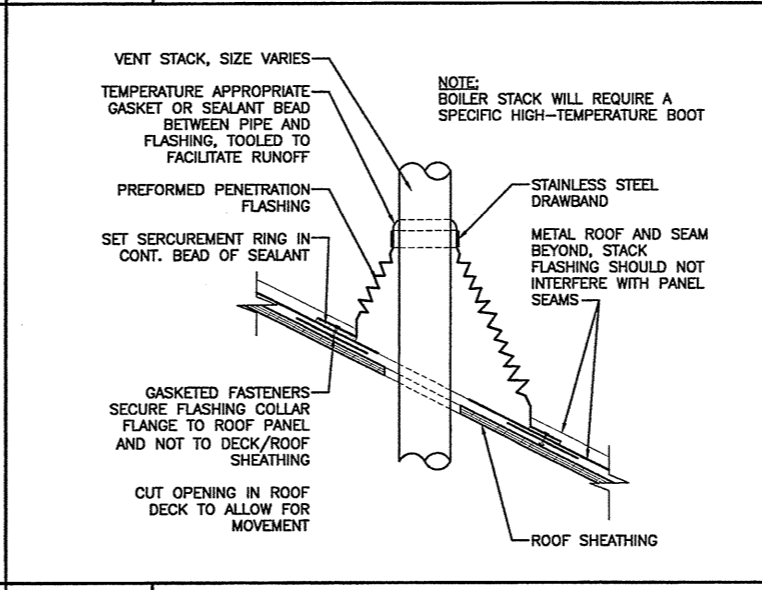
A7 SCUPPER DETAIL
1-1/2" = 1'-0" AE120



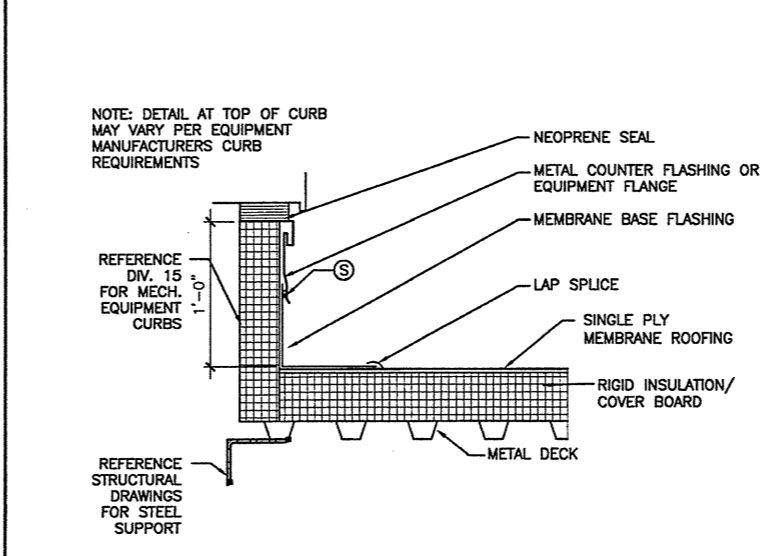
N11 CANOPY DETAIL
1-1/2" = 1'-0" AE120, AE311, AE313, AE314 SIM.



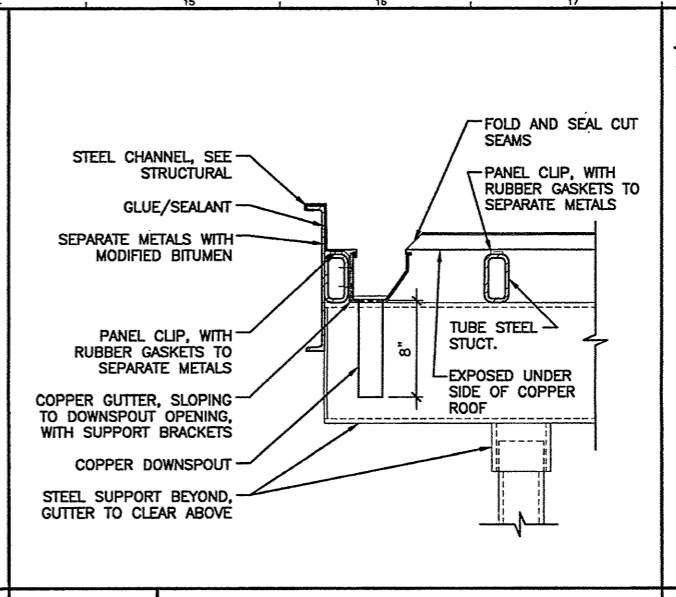
J11 ROOF/FLASHING DETAIL
3" = 1'-0" AE120



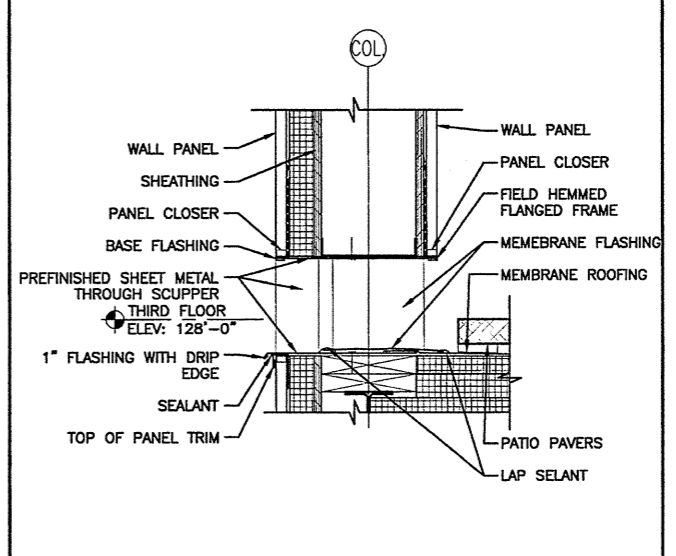
E11 ROOF DETAIL
1-1/2" = 1'-0" AE120



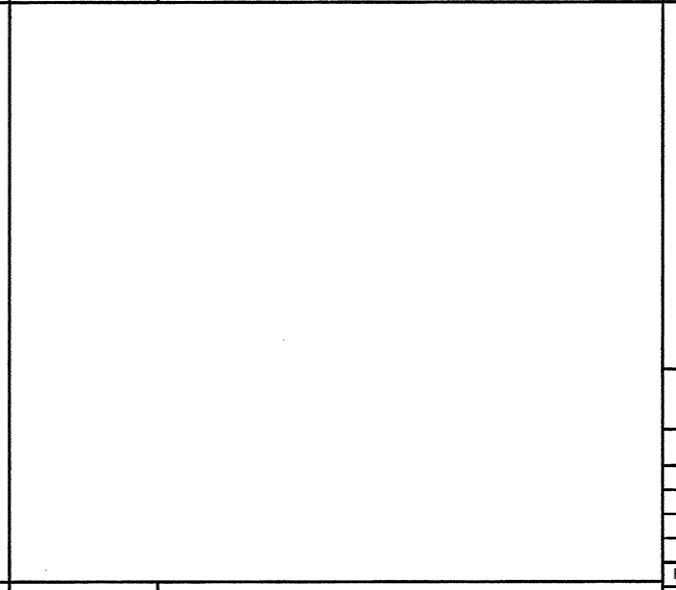
A11 ROOF DETAIL
1-1/2" = 1'-0" AE120



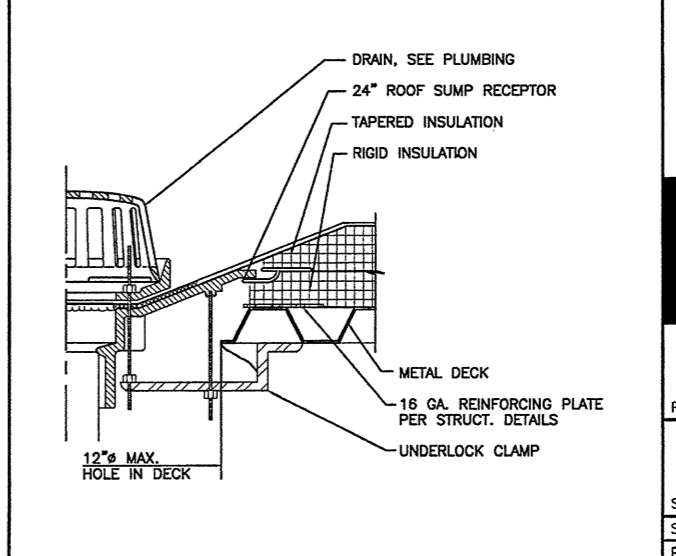
N14 CANOPY GUTTER DETAIL
1-1/2" = 1'-0" AE120



J14 SCUPPER DETAIL
1-1/2" = 1'-0" AE120



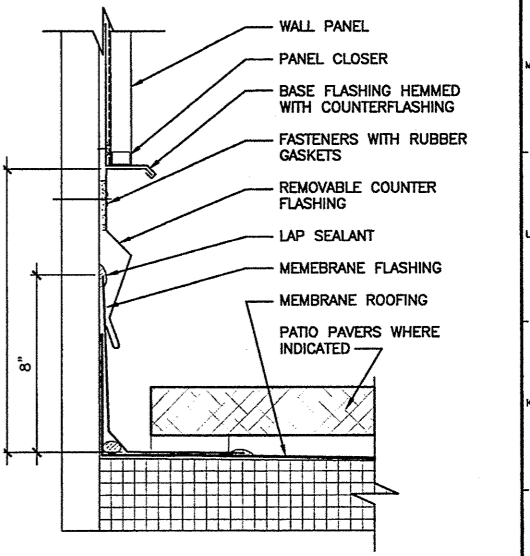
E14 *
-



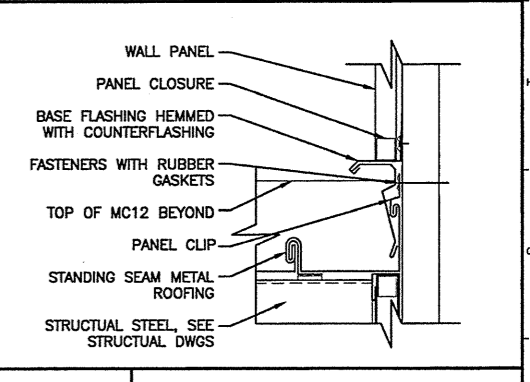
A14 ROOF DETAIL
1-1/2" = 1'-0" AE120

GENERAL NOTES:

1. .



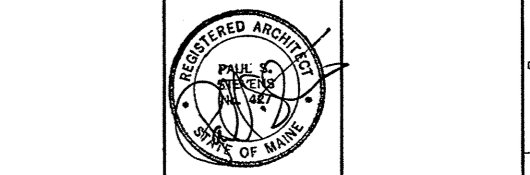
J18 ROOF DETAIL
3" = 1'-0" AE120, AE510



F18 ROOF DETAIL
3" = 1'-0" AE120

| | | |
|------|-------------------------|----------|
| 0 | ISSUED FOR CONSTRUCTION | 10-23-03 |
| REV. | DESCRIPTION | DATE |

ISSUED FOR CONSTRUCTION 10-23-03



SMRT ARCHITECTURE ENGINEERING PLANNING
144 Fore Street P.O. Box 618
Portland, Maine 04104
tel. (207) 772-3846
fax. (207) 772-1070

THE GULF OF MAINE RESEARCH INSTITUTE
PORTLAND, MAINE

ROOF DETAILS

| | | | |
|------------------|----------|----------------|-------------|
| SCALE: | AS NOTED | DATE: | 10-23-03 |
| PROJECT MANAGER: | DRL | GRAPHIC SCALE: | 0" = 1' |
| JOB CAP/DRAWN: | SDL | SHEET No. | |
| A/E OF RECORD: | PSS | SMRT CAD FILE: | AE511-03034 |
| PROJECT No. | 03034 | | |

AE511